

注記 NOTES

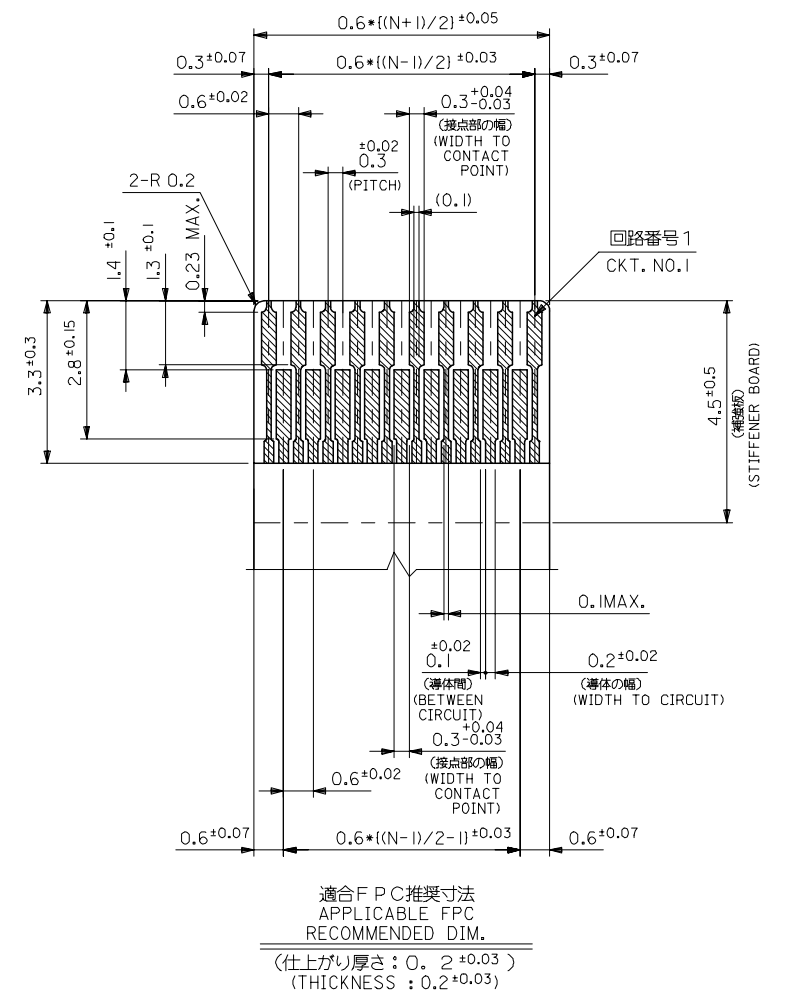
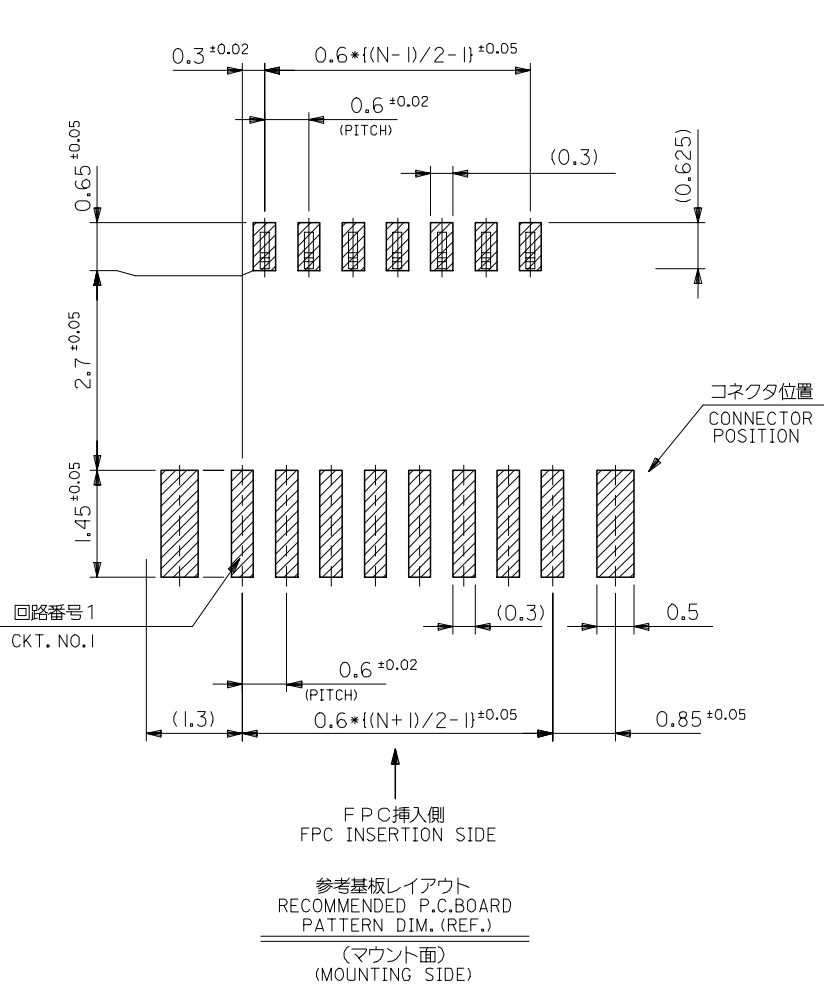
- 使用材料 MATERIAL  
ハウジング HOUSING : LCP , UL94V-0  
アクチュエータ ACTUATOR : PA46 , UL94V-0  
ターミナル : リン青銅 (t=0.12), ニッケル下地, 金メッキ  
TERMINAL PHOSPHOR BRONZE , GOLD OVER NICKEL PLATING.  
金具 : リン青銅 (t=0.2), ニッケル下地, 鍍メッキ  
STOPPER PHOSPHOR BRONZE , TIN-PLATE OVER NICKEL PLATING.
- ソルダーテール半田付け面のズレ量は、基準面 R に対し、  
上方向0MAX, 下方向0.1MAXIMUMとする。  
又、相互のバラツキ量は0.1MAXIMUMとする。
- MISALIGNMENT OF SOLDER TAILS AND FITTING NAILS FROM R  
UPPER DIRECTION : 0 MAX., LOWER DIRECTION : 0.1 MAXIMUM  
OFFSET BETWEEN SOLDER TAILS AND FITTING NAILS : 0.1 MAXIMUM  
一般公差 : ±0.3  
GENERAL TOLERANCES : ±0.3
- 本製品は54809-\*\*\*47の鉛フリー品です。  
THIS PRODUCT IS LEAD FREE OF 54809-\*\*\*47.

13.8	13.2	12.6	15.8	54809-4549	45
12.0	11.4	10.8	14.0	54809-3949	39
10.8	10.2	9.6	12.8	54809-3549	35
10.2	9.6	9.0	12.2	54809-3349	33
9.6	9.0	8.4	11.6	54809-3149	31
8.4	7.8	7.2	10.4	54809-2749	27
7.8	7.2	6.6	9.8	54809-2549	25
6.6	6.0	5.4	8.6	54809-2149	21
6.0	5.4	4.8	8.0	54809-1949	19
4.8	4.2	3.6	6.8	54809-1549	15
3.6	3.0	2.4	5.6	54809-1149	11
D	C	B	A	MATERIAL NO.	CKT.
54809-***49				MODEL NO.	

REVISED EC NO: J2006-2559 DRW: NESATO CHK: DANUKITA APP: NUKITA REV A	2006/02/28	2006/02/28	2006/02/28	GENERAL TOLERANCES (UNLESS SPECIFIED)		DIMENSION STYLE MM ONLY		SCALE ---	DESIGN UNITS METRIC	THIRD ANGLE PROJECTION
	10 UNDER	± ---	10 OVER	30 UNDER	± ---	DRAWN BY YWADA	DATE 2003/12/11	TITLE 0.3 FPC CONN E/O HSG ASSY GOLD PLATING -LEAD FREE-		
	30 OVER	± ---	ANGULAR ± --- °		CHECKED BY MSASAO	DATE 2003/12/11	APPROVED BY MSASAO		DATE 2003/12/11	MOLEX MOLEX INCORPORATED
	DRAFT WHERE APPLICABLE MUST REMAIN WITHIN DIMENSIONS		MATERIAL NO.	DOCUMENT NO. SEE CHART SD-54809-034	SHEET NO. 1 OF 2					

10 9 8 7 6 5 4 3 2 1

F  
E  
D  
C  
B  
A



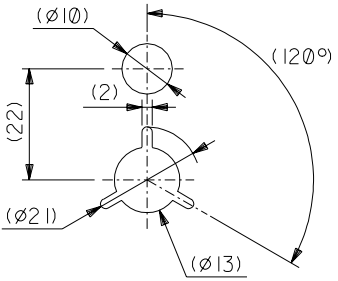
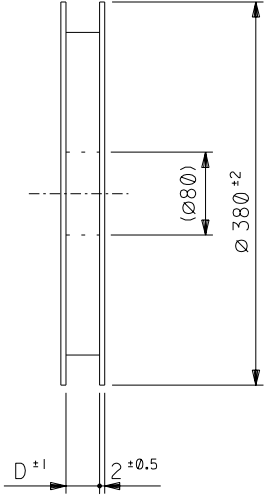
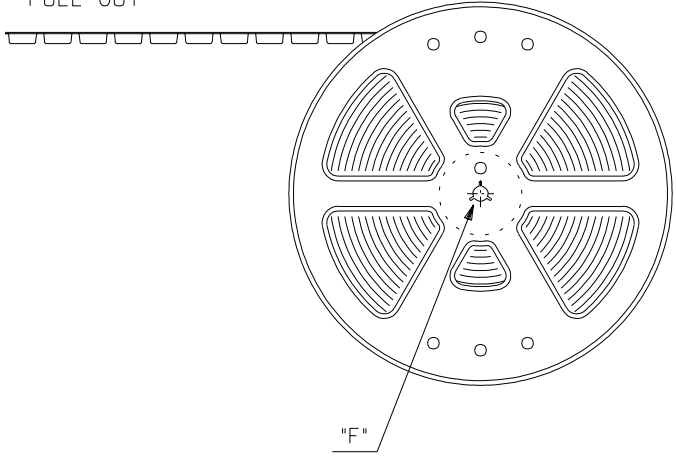
REVISED EC NO: J2006-2559 DRW: YWADA 2006/02/28 CHK: CHIKDANUKITA 2006/02/28 APP: APPR: NUKITA 2006/02/28	GENERAL TOLERANCES (UNLESS SPECIFIED)		DIMENSION STYLE MM ONLY		SCALE ---	DESIGN UNITS METRIC	THIRD ANGLE PROJECTION	
	10 UNDER	± ---	DRAWN BY YWADA	DATE 2003/12/11	TITLE 0.3 FPC CONN E/O HSG ASSY GOLD PLATING -LEAD FREE-			
	10 OVER 30 UNDER	± ---	CHECKED BY MSASAO	DATE 2003/12/11	MOLEX INCORPORATED			
	30 OVER	± ---	APPROVED BY MSASAO	DATE 2003/12/11	MATERIAL NO. SEE CHART		DOCUMENT NO. SD-54809-034	SHEET NO. 2 OF 2
	ANGULAR	± --- °	DRAFT WHERE APPLICABLE MUST REMAIN WITHIN DIMENSIONS					

9 8 7 6 5 4 3 2 1 EN-02JA(021)

DWG. NO. SD-54809-035

DO NOT SCALE DRAWING

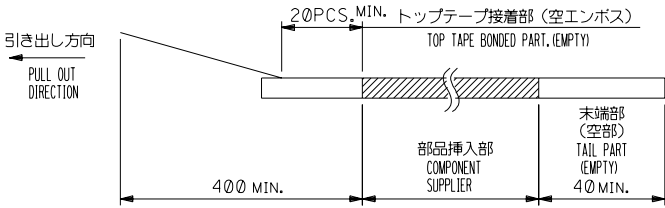
引き出し方向  
←  
PULL OUT



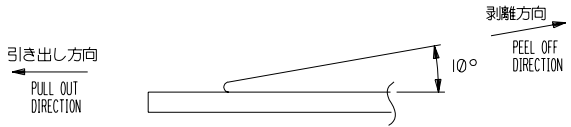
DETAIL "F"

注記 NOTES

- 製品詳細寸法については、図面SD-54809-034を参照下さい。  
RE DETAILED DIMENSION, SEE SD-54809-034.
- 梱包数量：2500個/リール  
NUMBER OF CONNECTORS : 2500PCS/REEL
- リードテープ長さ LEAD TAPE LENGTH



- トップテープの剥離強度：0.1N～1.3N (10gf～130gf)  
(剥離方向は下図参照)  
尚、本規格値は出荷時に適用。(但し、輸送時に剥離が発生しないこと。)  
PEELING OFF FORCE OF TOP TAPE : 0.1N ~ 1.3N(10gf ~ 130gf)  
(PEELING DIRECTION AS SHOWN IN FOLLOWING FIG.)  
THIS REQUIREMENT SHOULD BE APPLIED AT SHIPMENT.  
PEEL OFF SHOULD NOT BE ALLOWED, DURING TRANSPORTATION.



- 材料 (MATERIAL)  
キャリアテープ (CARRIER TAPE) : ポリプロピレン (POLYPROPYLENE)  
トップテープ (TOP TAPE) : PET, PE, PEF  
リール (REEL) : ポリスチレン (PS) <リサイクル材を含む>  
POLYSTYRENE(PS) <RECYCLE MATERIAL CONTAINED>
- 本製品は54809-\*\*-93の鉛フリー品です。  
THIS PRODUCT IS LEAD FREE OF 54809-\*\*-93.

EC NO. DRWN: CHK: APPR:		EC NO. DRWN: CHK: APPR:		EC NO. DRWN: CHK: APPR:		EC NO. DRWN: CHK: APPR:		EC NO. DRWN: CHK: APPR:		RELEASD EC NO. J2004-1456 DRWN: Y.WADA '03/12/11 CHK: M.SASAO '03/12/11 APPR: M.SASAO '03/12/11		MATERIAL 材料 注記参照 SEE NOTES		GENERAL TOLERANCES: (UNLESS SPECIFIED) 一般公差		54809-**-73		MODEL NO.		DIMENSIONS: <input type="checkbox"/> mm <input type="checkbox"/> INCH <input checked="" type="checkbox"/> mm ONLY		SHT		REV			
												FINISH 仕上げ //		10 UNDER 未満 ±0.2		DRAWN BY & DATE Y.WADA '03/12/11		THIRD ANGLE PROJECTION		TITLE: Embstp Pkg FOR 0.3 FPC Conn E/O GOLD PLATING (H=1.3) -LEAD FREE-							
												WIRE RANGE 適用電線範囲 //		10 OVER 30 UNDER 未満 ±0.25		CHECKED BY & DATE M.SASAO '03/12/11		MOLEX INCORPORATED		MATERIAL NO.		DRAWING NO.		SHEET NO.			
												INS. RANGE 被覆外径 //		30 OVER 以上 ±0.3		APPROVED BY & DATE M.SASAO '03/12/11		CAD FILENAME SD-54809-035.S01		SEE CHART		SD-54809-035		1 OF 3			
												ANGLE 角度 ±3°												THIS DRAWING CONTAINS INFORMATION THAT IS PROPRIETARY TO MOLEX INCORPORATED AND SHOULD NOT BE USED WITHOUT WRITTEN PERMISSION.		SIZE B	

DWG. NO.  
SD-54809-035

F

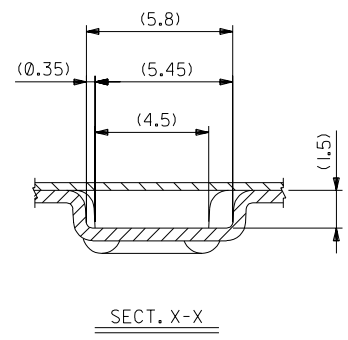
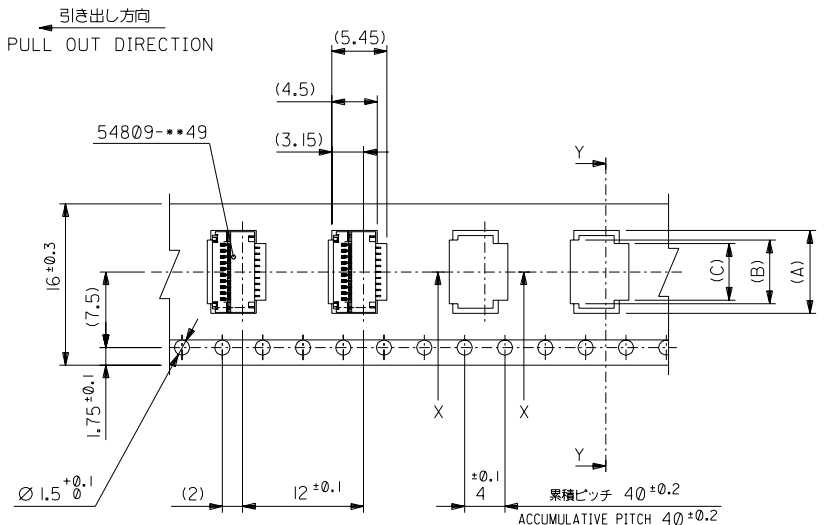
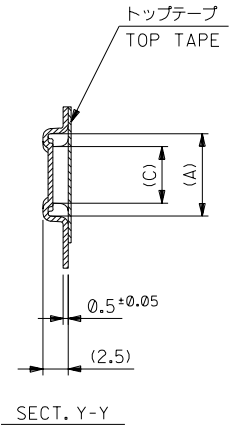
D

V

C

B

DO NOT SCALE DRAWING

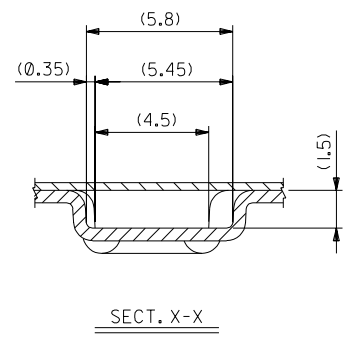
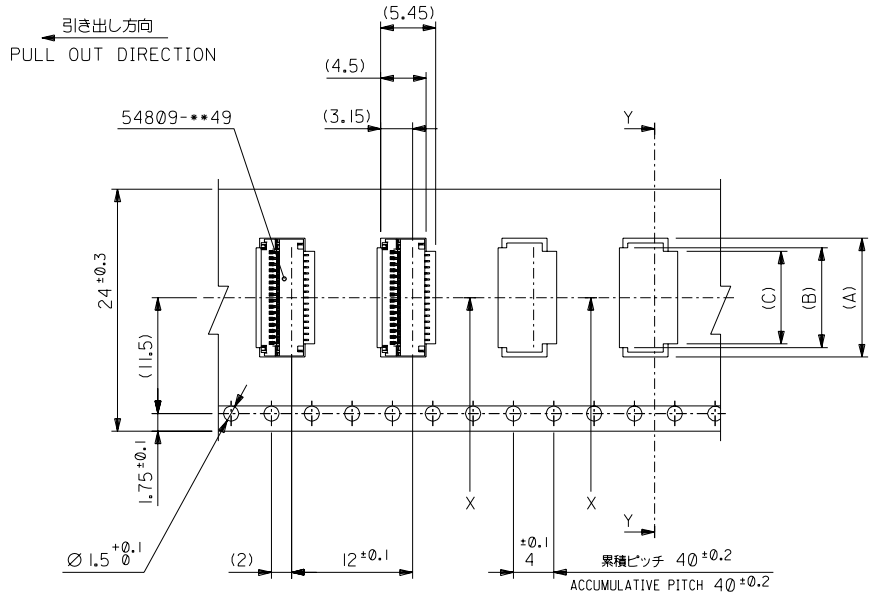
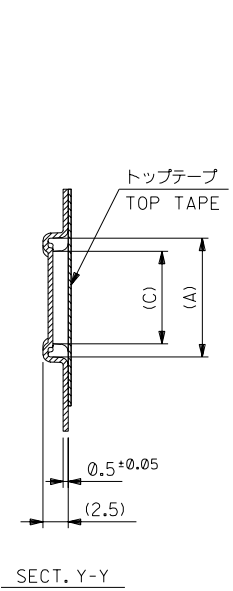


16mm幅キャリアテープ  
16mm WIDTH CARRIER TAPE

16	17.5	6.2	6.9	8.8	54809-2173	21
		5.6	6.3	8.2	54809-1973	19
		4.4	5.1	7.0	54809-1573	15
		3.2	3.9	5.8	54809-1173	11
キャリアテープ幅 CARRIER TAPE WIDTH	D	C	B	A	MATERIAL NO.	種数 CKT.

EC NO. DRWN: CHK: APPR:	EC NO. DRWN: CHK: APPR:	EC NO. DRWN: CHK: APPR:	EC NO. DRWN: CHK: APPR:	EC NO. DRWN: CHK: APPR:	RELEASED EC NO. J2004-1456 DRWN: Y.WADA '03/12/11 CHK: M.SASAO '03/12/11 APPR: M.SASAO '03/12/11	MATERIAL 材料 注記参照 SEE NOTES	GENERAL TOLERANCES: (UNLESS SPECIFIED) 一般公差	SCALE // DESIGN UNITS <input checked="" type="checkbox"/> mm <input type="checkbox"/> INCH	MODEL NO. 54809-***73	DIMENSIONS: <input type="checkbox"/> mm <input type="checkbox"/> INCH <input checked="" type="checkbox"/> mm ONLY	SHT REV
					DESCRIPTION	FINISH 仕上げ	10 UNDER 未滴 ±0.2	DRAWN BY & DATE Y.WADA '03/12/11	TITLE: Embstp Pkg FOR 0.3 FPC Conn E/O GOLD PLATING (H=1.3) -LEAD FREE-		
					WIRE RANGE 適用覆線範囲	//	10 OVER 30 UNDER 以上 未満 ±0.25	CHECKED BY & DATE M.SASAO '03/12/11	MATERIAL NO. SEE CHART	DRAWING NO. SD-54809-035	SHEET NO. 2 OF 3
					INS. RANGE 被覆外径	//	30 OVER 以上 ±0.3	APPROVED BY & DATE M.SASAO '03/12/11	MATERIAL NO. SEE CHART	DRAWING NO. SD-54809-035	SHEET NO. 2 OF 3
					REV		ANGLE 角度 ±3°	CAD FILENAME SD-54809-035.S02	THIS DRAWING CONTAINS INFORMATION THAT IS PROPRIETARY TO MOLEX INCORPORATED AND SHOULD NOT BE USED WITHOUT WRITTEN PERMISSION.		SIZE B

DWG. NO. SD-54809-035



24mm幅キャリアテープ  
24mm WIDTH CARRIER TAPE

24	25.5	13.4	14.1	16.0	54809-4573	45
		11.6	12.3	14.2	54809-3973	39
		10.4	11.1	13.0	54809-3573	35
		9.8	10.5	12.4	54809-3373	33
		9.2	9.9	11.8	54809-3173	31
		8.0	8.7	10.6	54809-2773	27
		7.4	8.1	10.0	54809-2573	25
キャリアテープ幅 CARRIER TAPE WIDTH	D	C	B	A	MATERIAL NO.	種数 CKT.

DO NOT SCALE DRAWING

EC NO. DRWN: CHK: APPR:	EC NO. DRWN: CHK: APPR:	EC NO. DRWN: CHK: APPR:	EC NO. DRWN: CHK: APPR:	EC NO. DRWN: CHK: APPR:	RELEASED EC NO. J2004-1456 DRWN: Y.WADA '03/12/11 CHK: M.SASAO '03/12/11 APPR: M.SASAO '03/12/11	MATERIAL 材料 注記参照 SEE NOTES	GENERAL TOLERANCES: (UNLESS SPECIFIED) 一般公差	SCALE --// DESIGN UNITS <input checked="" type="checkbox"/> mm <input type="checkbox"/> INCH	MODEL NO. 54809-***73	DIMENSIONS: <input type="checkbox"/> mm <input type="checkbox"/> INCH <input checked="" type="checkbox"/> mm ONLY	SHT REV	
					DESCRIPTION FINISH 仕上げ //		10 UNDER 未満 ±0.2	DRAWN BY & DATE Y.WADA '03/12/11	TITLE: Embstp Pkg FOR 0.3 FPC Conn E/O GOLD PLATING (H=1.3) -LEAD FREE-			
					WIRE RANGE 適用電線範囲 //		10 OVER 30 UNDER 以上 未満 ±0.25	CHECKED BY & DATE M.SASAO '03/12/11	MOLEX INCORPORATED			
					INS. RANGE 被覆外径 //		30 OVER 以上 ±0.3	APPROVED BY & DATE M.SASAO '03/12/11	MATERIAL NO. SEE CHART	DRAWING NO. SD-54809-035	SHEET NO. 3 OF 3	
					REV 0		ANGLE 角度 ±3°	CAD FILENAME SD-54809-035.S03			THIS DRAWING CONTAINS INFORMATION THAT IS PROPRIETARY TO MOLEX INCORPORATED AND SHOULD NOT BE USED WITHOUT WRITTEN PERMISSION.	SIZE B