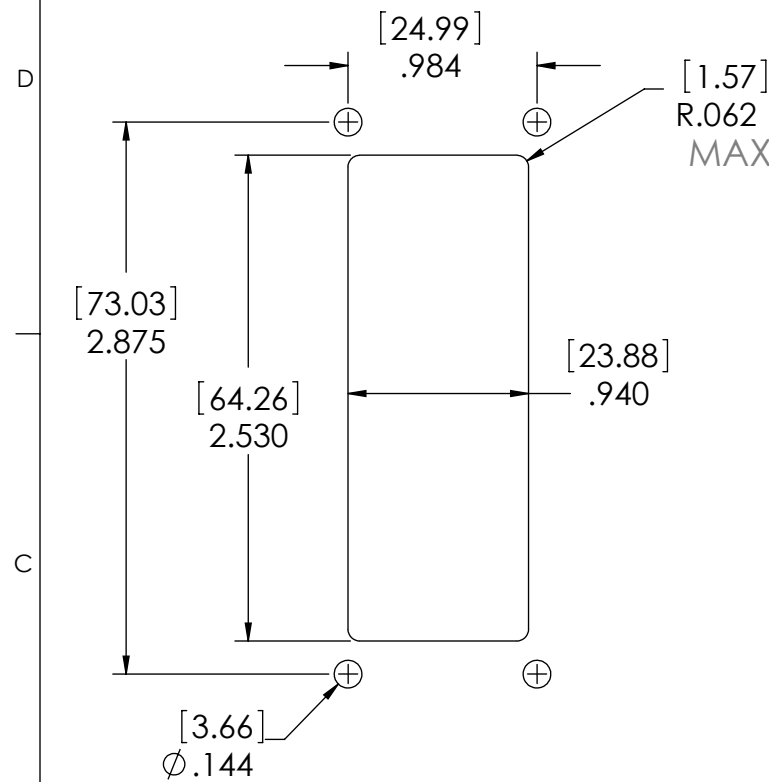
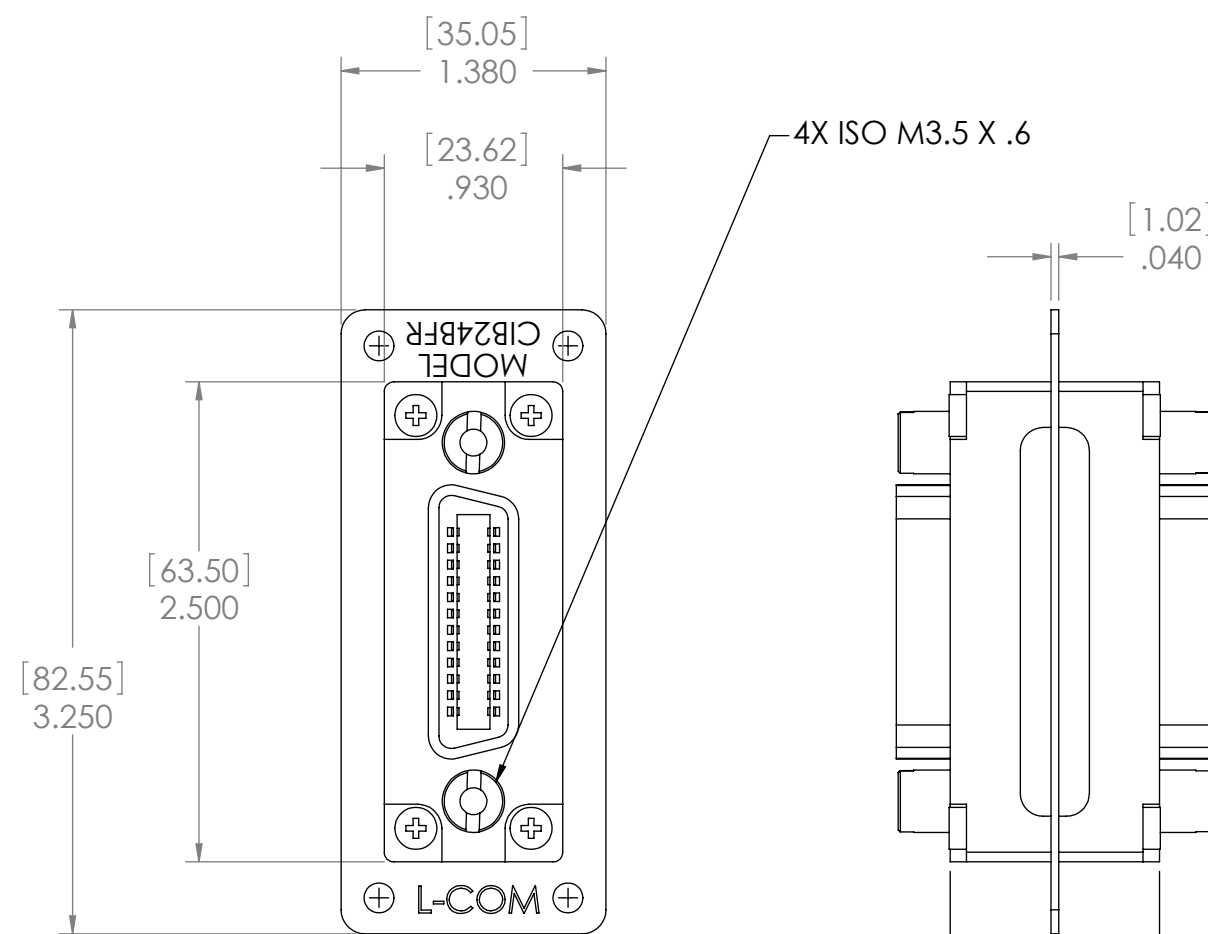


THE INFORMATION CONTAINED IN THIS DRAWING IS THE SOLE PROPERTY OF L-COM, INC. ANY REPRODUCTIONS IN PART OR WHOLE WITHOUT THE WRITTEN PERMISSION OF L-COM, INC. IS PROHIBITED.

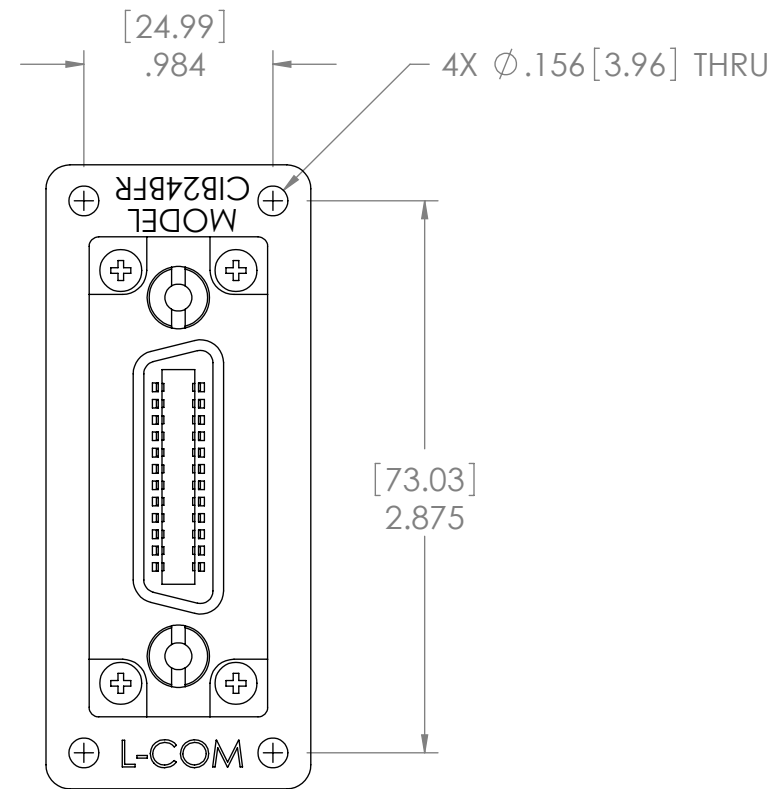
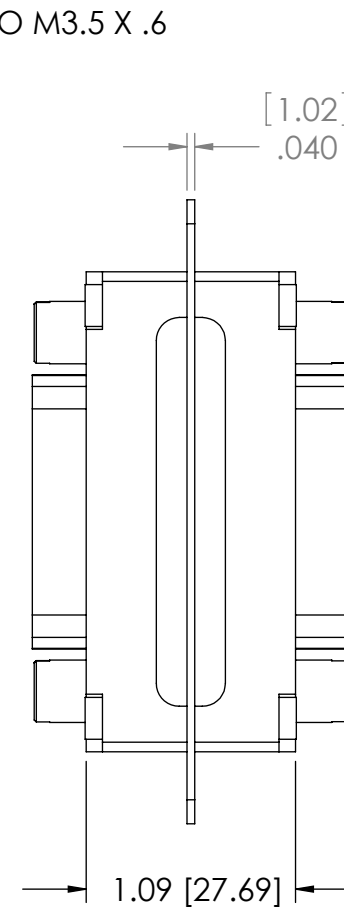
REVISIONS			
REV	DESCRIPTION	DATE	CHANGED BY
A	RELEASED TO PRODUCTION	5/24/01	R.CARRICK
B	CORRECTED ORIENTATION OF CONNECTOR (ECN# 1346)	3/27/03	T.CLARK
C	ECN 3062: REVISED DIM .910 WAS .930	10/30/07	D.FRISIELLO
D	ECN 3322: UPDATE DWG FORMAT	5/12/08	D.GRIFFIN



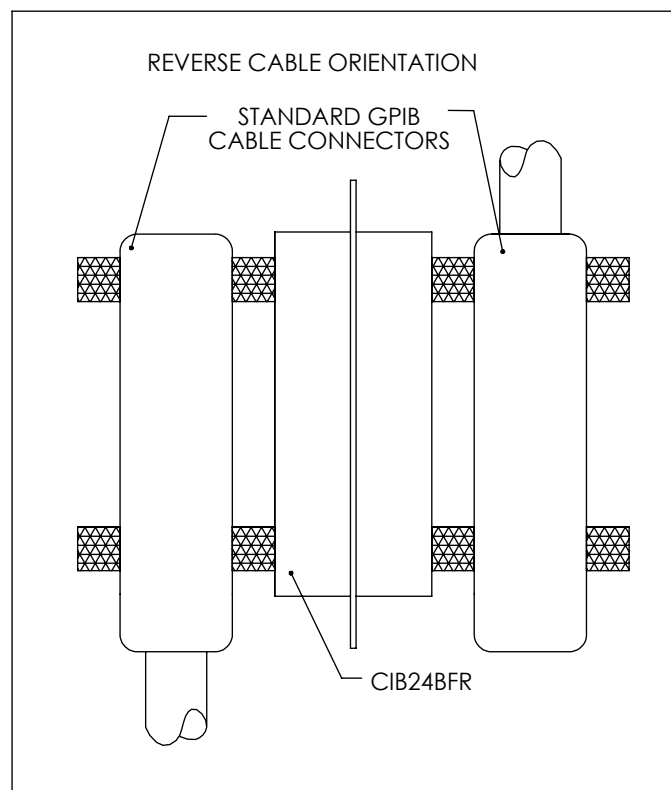
RECOMMENDED PANEL OPENING



IEEE-488 FEMALE CONNECTOR



IEEE-488 FEMALE CONNECTOR



NOTES:

HOUSING: ALUMINUM ALLOY DIE CAST, NICKEL PLATED
 JACKSCREWS STEEL, BLACK ANODIZED
 MOUNTING FLANGE STEEL NICKEL- PLATED
 INSULATOR MATERIAL: PBT
 CONTACT PLATING 15u INCH GOLD PLATE OVER NICKEL.

PACAKGING:
 INDIVIDUALLY PACKAGE IN A POLYBAG

RoHS Compliant ✓

UNLESS OTHERWISE SPECIFIED, DIMENSIONS ARE IN INCHES [mm] OVERALL CABLE LENGTH TOLERANCE: ≤12 [305] = +1 [25] / -0 >12 [305] ≤60 [1524] = +2[51] / -0 >60 [1524] ≤120 [3048] = +4 / -0 >120 [3048] ≤300 [7620] = +6 / -0 >300 [7620] = +5% / -0% ALL OTHER DIMENSIONAL TOLERANCES: .X = .3 .XX = .15	APPROVALS	DATE	45 BEECHWOOD DRIVE NORTH ANDOVER, MA 01845	
	DRAWN BY R.CARRICK	5/24/2001		CATEGORY IEEE-488 GPIB
	CHECKED BY ENG	5/24/2001		PRODUCT DESCRIPTION REVERSING ADAPTOR GPIB BULKHEAD F/F
	APPROVED BY D. PARHAM	5/24/2001		SIZE B
PROJECTION	CONFIGURATION DETAILS OF UNDIMENSIONED FEATURES MAY VARY	COLOR VARIATIONS MAY OCCUR	FSCM NO. 43321	
			DWG. NO. CIB24BFR	
			REV. D	
	SCALE: 1:1	CAD FILE: CIB24BFR.SLDDRW	SHEET 1 OF 1	