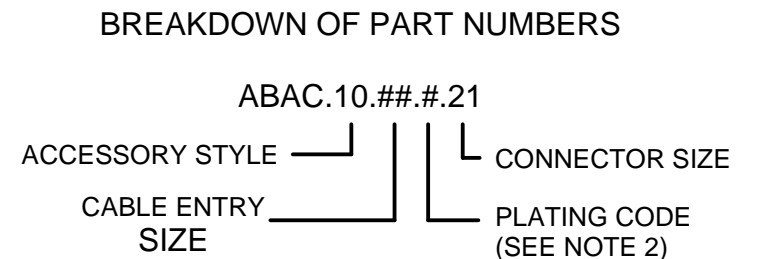
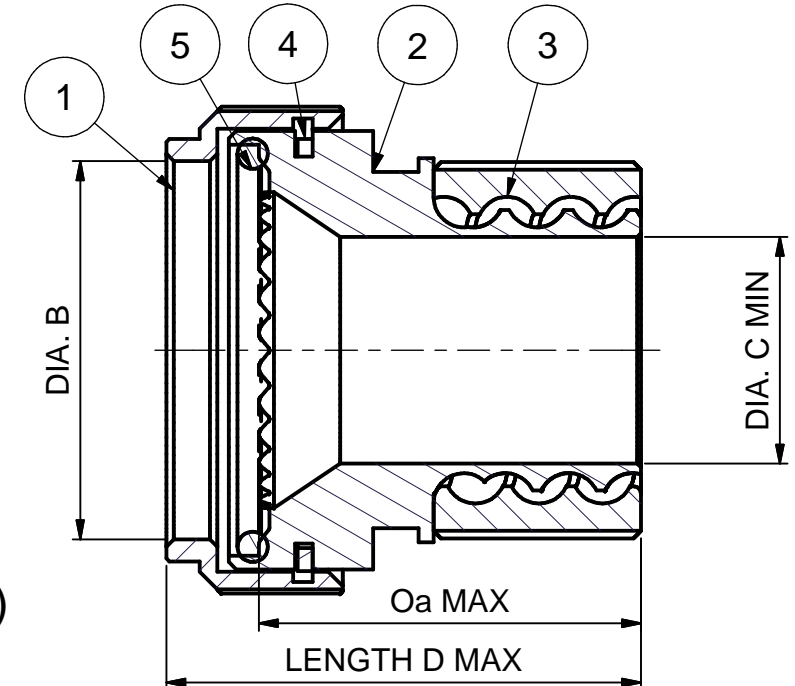
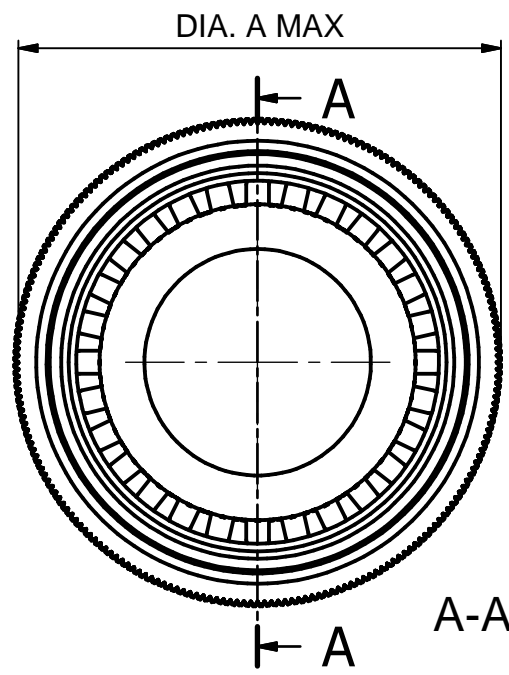


DRAWING FOR QUOTATION PURPOSES ONLY. NOT TO BE WORKED TO.

ISSUE: 2
BY: AJ
RN:6634
DATE:18-03-2011

DESCRIPTION OF LAST CHANGE:
RELEASED TO PRODUCTION



NOTES:-

1. PART NUMBER TO BE MARKED HERE.

2. **ITEM 1, ITEM 2 AND ITEM 3** ARE TO BE USED FOR PLATING CODE:-
W= OLIVE DRAB CADMIUM PLATE
Q= ZINC COBALT OLIVE DRAB PASSIVATE
QB= ZINC COBALT BLACK PASSIVATE

ITEM 1A, ITEM 2A AND ITEM 3A ARE TO BE USED FOR PLATING CODE:-
F= ELECTROLESS NICKEL

CABLE SIZE	ASSY. NUMBER	ITEM 1 QTY 1	ITEM 1A QTY 1	ITEM 2 QTY 1	ITEM 2A QTY 1	ITEM 3 QTY 1	ITEM 3A QTY 1	ITEM 4 QTY 1	ITEM 5 QTY 1	DIA. A MAX	DIA. B	DIA B	DIA. C MIN	LENGTH D MAX	Oa MAX
03	ABAC.10.03.#.21			514.2.18926.#.03	514.2.00706.4.03	514.2.18929.#.03	514.2.00719.4.03						4.70		
04	ABAC.10.04.#.21			514.2.18926.#.04	514.2.00706.4.04	514.2.18929.#.04	514.2.00719.4.04						6.30		
05	ABAC.10.05.#.21			514.2.18926.#.05	514.2.00706.4.05	514.2.18929.#.05	514.2.00719.4.05						7.90	28.58	22.00
06	ABAC.10.06.#.21			514.2.18926.#.06	514.2.00706.4.06	514.2.18929.#.06	514.2.00719.4.06						9.50		
07	ABAC.10.07.#.21			514.2.18926.#.07	514.2.00706.4.07	514.2.18929.#.07	514.2.00719.4.07						11.10		
08	ABAC.10.08.#.21			514.2.18926.#.08	514.2.00706.4.08	514.2.18929.#.08	514.2.00719.4.08						12.70		
09	ABAC.10.09.#.21			514.2.18926.#.09	514.2.00706.4.09	514.2.18929.#.09	514.2.00719.4.09						14.20		
10	ABAC.10.10.#.21			514.2.18926.#.10	514.2.00706.4.10	514.2.18929.#.10	514.2.00719.4.10						15.80		
11	ABAC.10.11.#.21			514.2.18926.#.11	514.2.00706.4.11	514.2.18929.#.11	514.2.00719.4.11						17.40		
12	ABAC.10.12.#.21			514.2.18926.#.12	514.2.00706.4.12	514.2.18929.#.12	514.2.00719.4.12						19.00		
13	ABAC.10.13.#.21			514.2.18926.#.13	514.2.00706.4.13	514.2.18929.#.13	514.2.00719.4.13						20.60		
14	ABAC.10.14.#.21	514.2.18746.#.00	514.2.00696.4.00	514.2.18926.#.14	514.2.00706.4.14	514.2.18929.#.14	514.2.00719.4.14	121B.18.IC.CH	M0400098	38.90	M31 x 1 - 6H	M37 X 1 - 6H	22.20		
15	ABAC.10.15.#.21			514.2.18926.#.15	514.2.00706.4.15	514.2.18929.#.15	514.2.00719.4.15						23.80		
16	ABAC.10.16.#.21			514.2.18926.#.16	514.2.00706.4.16	514.2.18929.#.16	514.2.00719.4.16						25.40	33.88	27.30
17	ABAC.10.17.#.21			514.2.18926.#.17	514.2.00706.4.17	514.2.18929.#.17	514.2.00719.4.17						27.00		
18	ABAC.10.18.#.21			514.2.18926.#.18	514.2.00706.4.18	514.2.18929.#.18	514.2.00719.4.18						28.60		
19	ABAC.10.19.#.21			514.2.18926.#.19	514.2.00706.4.19	514.2.18929.#.19	514.2.00719.4.19						30.20		
20	ABAC.10.20.#.21			514.2.18926.#.20	514.2.00706.4.20	514.2.18929.#.20	514.2.00719.4.20						31.80		
21	ABAC.10.21.#.21			514.2.18926.#.21	514.2.00706.4.21	514.2.18929.#.21	514.2.00719.4.21						33.30		
22	ABAC.10.22.#.21			514.2.18926.#.22	514.2.00706.4.22	514.2.18929.#.22	514.2.00719.4.22						35.00		
23	ABAC.10.23.#.21			514.2.18926.#.23	514.2.00706.4.23	514.2.18929.#.23	514.2.00719.4.23						36.50		
24	ABAC.10.24.#.21			514.2.18926.#.24	514.2.00706.4.24	514.2.18929.#.24	514.2.00719.4.24						38.10		

MODIFICATIONS MUST BE CARRIED OUT USING CAD SYSTEM. DOES THE CUSTOMER NEED TO BE INFORMED OF ANY CHANGE?

CHARACTERISTIC	SYM	CHARACTERISTIC	SYM
STRAIGHTNESS	—	ANGULARITY	∠
FLATNESS	▭	RUN OUT	↗
ROUNDNESS	○	POSITION	⊕
CYLINDRICITY	⊘	CONCENTRICITY	◎
PROFILE OF A LINE	⌒	SYMMETRY	≡
PROFILE OF A SURFACE	⌒	M.M.C.	Ⓜ
PARALLELISM	//	SQUARENESS	⊥

FOR EXPLANATION OF DIMENSIONS, TOLERANCES, NOTES, ETC. SEE BS308

MATERIAL:

TOLERANCES UNLESS OTHERWISE STATED

ALL DECIMAL PLACES ± 0.1
HOLE DIAMETERS ± 0.05
ANGULAR ± 2°

DRAWN AJ
DATE 18/03/2011
CHKD PL

∇ = CRITICAL CHARACTERISTIC ◊ = SIGNIFICANT CHARACTERISTIC (SEE AB-W07-03-01 FOR DESCRIPTION)

Do not scale this drawing

<p>AB CONNECTORS LTD. A TT GROUP COMPANY</p>	<p>TITLE: SIZE 21 - PATTERN 38999 ASSY. OF STRAIGHT LOW PROFILE ADAPTOR AND SCREEN TRAP NUT FOR VARIOUS CABLE ENTRY SIZES</p>	<p>FINISH: SEE PED 021</p>
	<p>PRODUCT DRAWING NUMBER ABAC.10.###.21</p>	<p>FINISH CODE VARN SEE PED 021</p>

THIS DRAWING MAY ONLY BE ALTERED IF THE PART REMAINS INTERCHANGEABLE. IF NOT, A NEW DRAWING NUMBER MUST BE TAKEN.