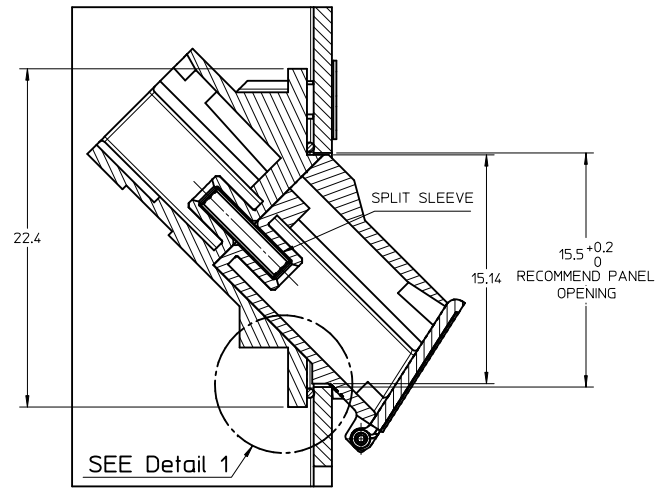
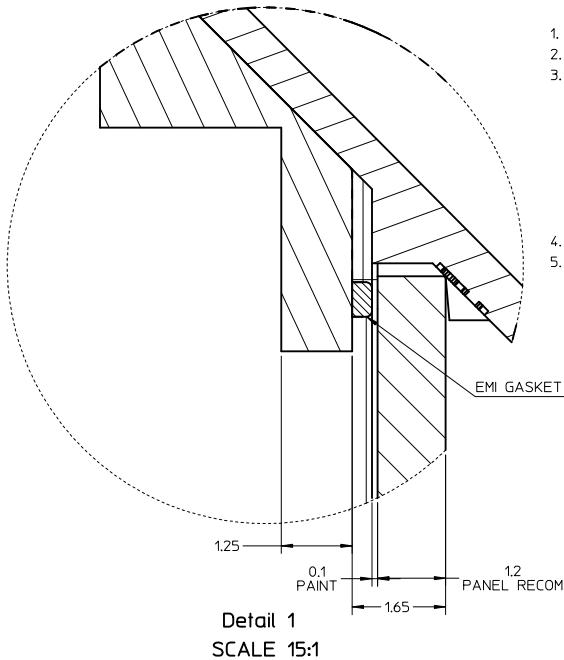
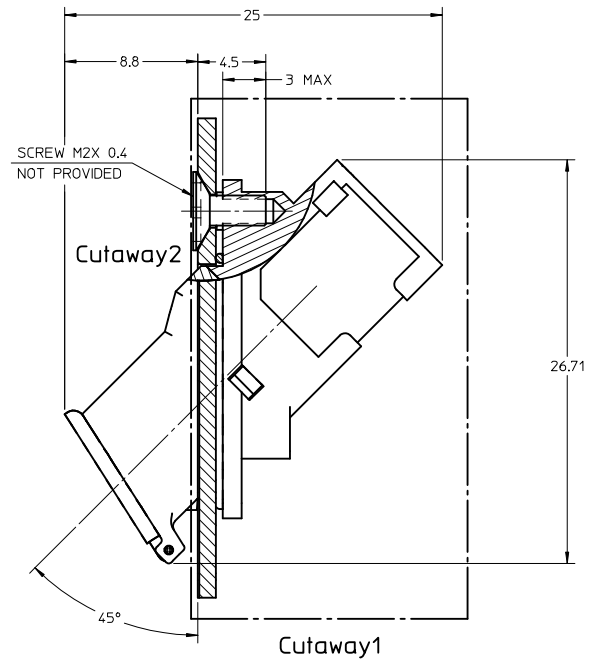
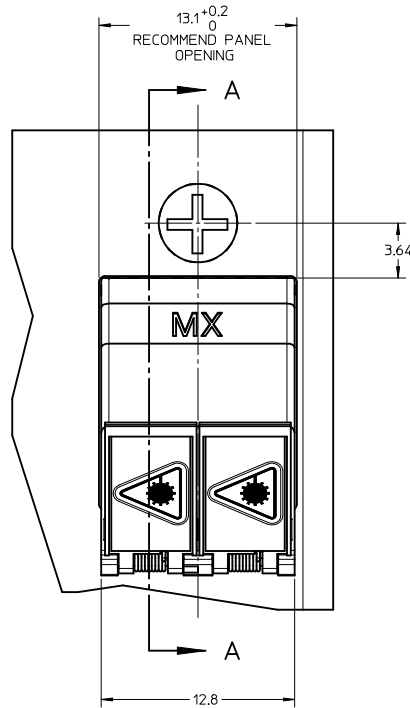


ADAPTER P/N	PLASTIC RECEPTACLE COLOR	SPLIT SLEEVE MATERIAL	SHUTTER DOORS MATERIAL
106115-3200	BLUE	Zr	METAL
106115-3201	GREEN		
106115-3206	BLUE	Ph. Bronze	
106115-3205	BLUE	Zr	PLASTIC, COLOR - BLUE



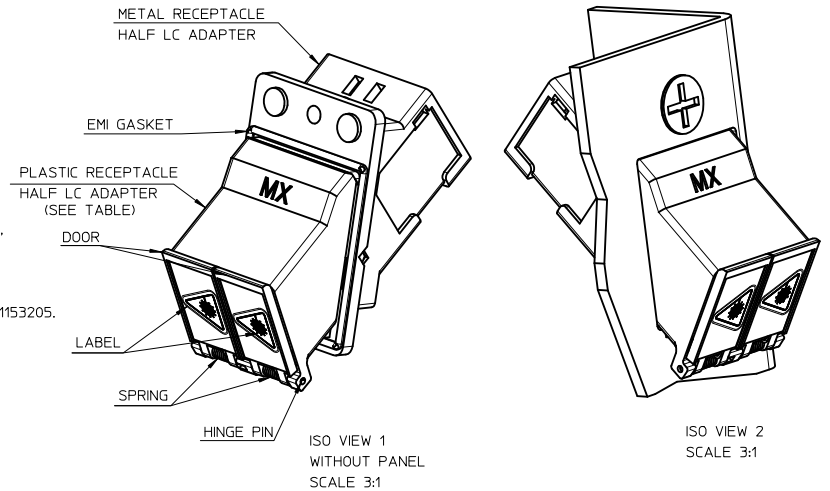
SECTION A-A



Detail 1
SCALE 15:1

NOTES:

- ALL DIMENSIONS ARE FOR REFERENCE ONLY.
- PARTS SHOWN ASSEMBLED FOR CUSTOMER REFERENCE ONLY.
- MATERIAL AND PLATING:
 - METAL RECEPTACLE HALF LC ADAPTER-ZINC DIE CAST PLATING-NICKEL,
 - PLASTIC RECEPTACLE HALF LC ADAPTER-POLYETHER IMIDE (PEI)UL94 V-0,
 - GASKET-SILICONE CONDUCTIVE ELASTOMER SNN 45,
 - SPLIT SLEEVE-ZIRCONIA,
 - LABEL-POLYESTER,(UL 969)
 - ALL OTHER PARTS-METAL, EXEPT PLASTIC SHUTTER DOORS FOR P/N 1061153205.
- LC DUPLEX WASH CAP (DUST CAP) NOT SHOWN-TPV UL94 V-0
- ADAPTERS SHALL BE PACKED IN TRAYS.



ENTER DESCRIPTION EC NO: MF-2011-0100 DRWN:YBDMYAK 2010/08/26 CHKD:WCHEN 2010/08/30 APPR:WCHEN 2010/08/31	QUALITY SYMBOLS ▽=0 ▽=0	GENERAL TOLERANCES (UNLESS SPECIFIED)		DIMENSION STYLE MM ONLY	SCALE 4:1	DESIGN UNITS METRIC	THIRD ANGLE PROJECTION
		4 PLACES ± --- ± --- 3 PLACES ± --- ± --- 2 PLACES ± --- ± --- 1 PLACE ± --- ± ---	mm INCH DRAWN BY RPACIFIC1 CHECKED BY DATE 2006/01/31	DATE 2010/08/30	LC ADAPTER (EMI) 45 DEG SCREW MOUNT		
		ANGULAR ±1/2°	APPROVED BY WCHEN MATERIAL NO. SEE TABLE DATE 2010/08/30	MOLEX INCORPORATED	DOCUMENT NO. SD-106115-3200		
		DRAFT WHERE APPLICABLE MUST REMAIN WITHIN DIMENSIONS	THIS DRAWING CONTAINS INFORMATION THAT IS PROPRIETARY TO MOLEX INCORPORATED AND SHOULD NOT BE USED WITHOUT WRITTEN PERMISSION	SHEET NO. 1 OF 1			