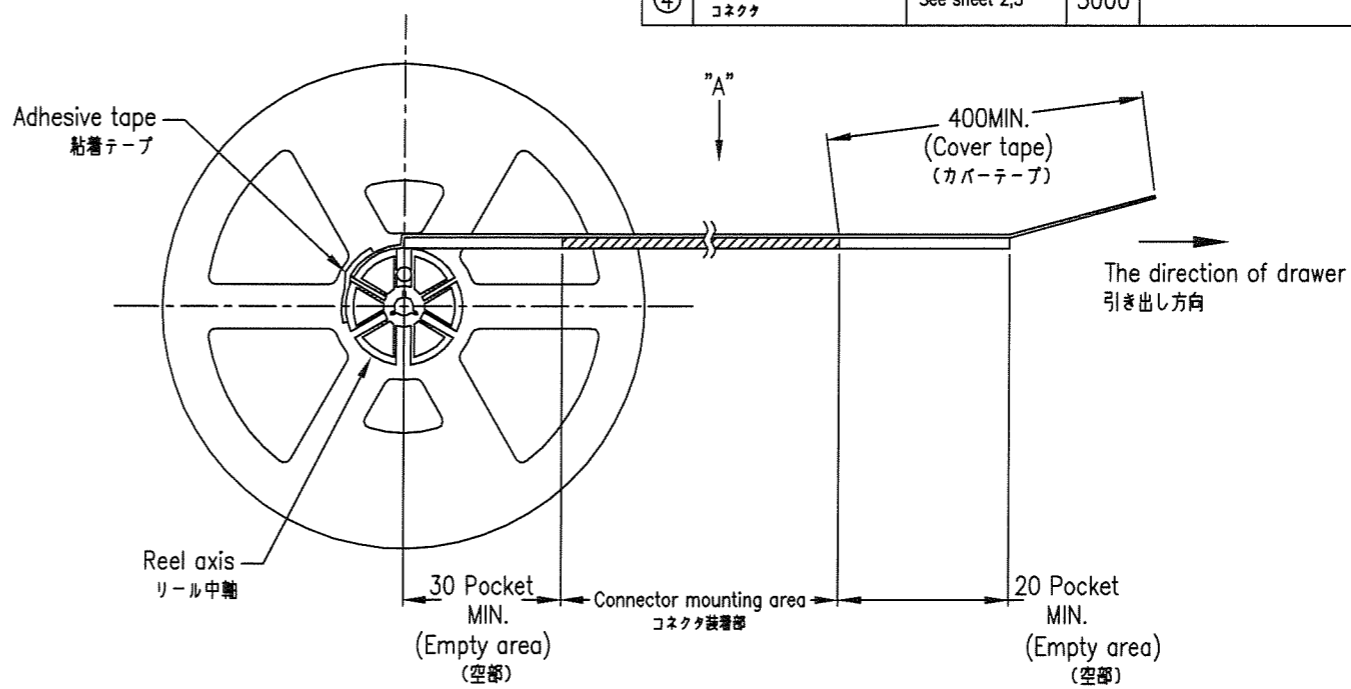
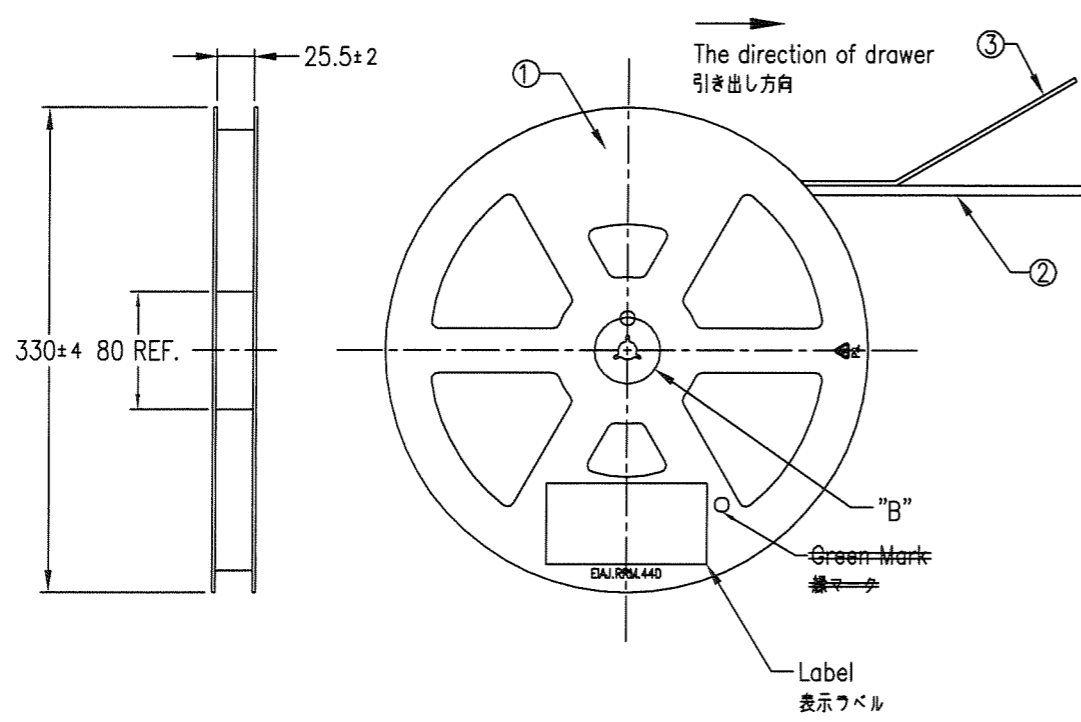


PRODUCT NO.

10064555-**2**0*LF

PARTS TABLE 部品表

| No. | Part name 部品名 | Material 材質 | QTY. | Note 備考 |
|-----|----------------------------------|-----------------------|------|---|
| ① | The reel for packaging 梱包用リール | Polystyrene ポリスチレン | 1 | Color : White, Electrification prevention processing 色 : 白、帯電防止処理品 |
| ② | Emboss tape エンボステープ | PP or PET | 1 | Electrification prevention processing 帯電防止処理品 |
| ③ | Cover tape カバーテープ | Polyester ポリエステル | 1 | |
| ④ | Connector コネクタ | See sheet 2,3 | 3000 | |



<P/N composition> <P/N 構成>

10064555-39 2 1 1 0 E LF

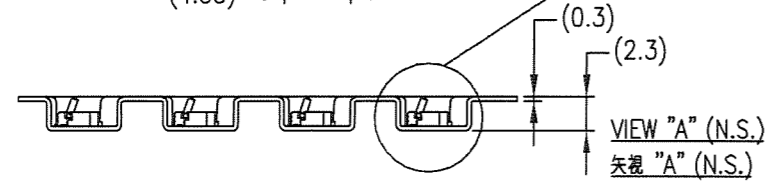
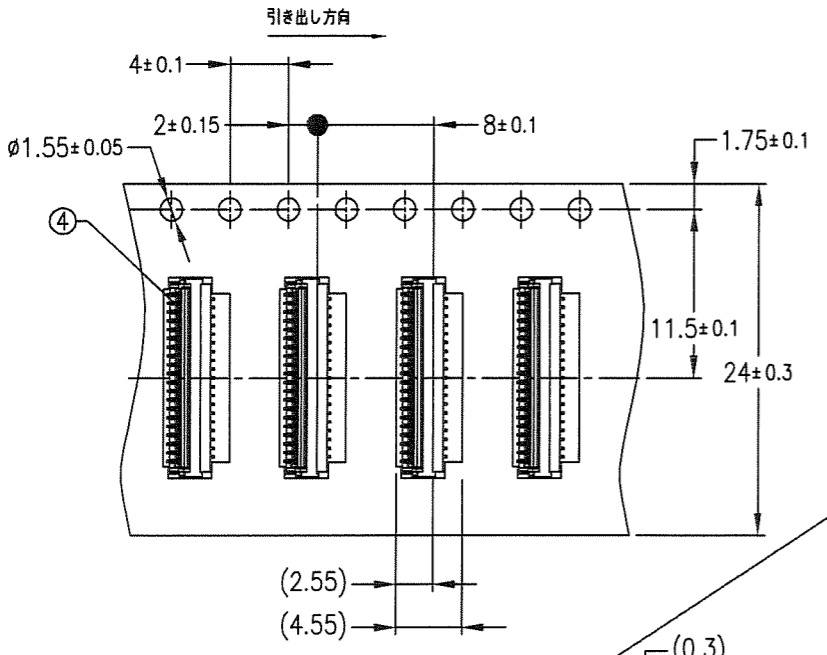
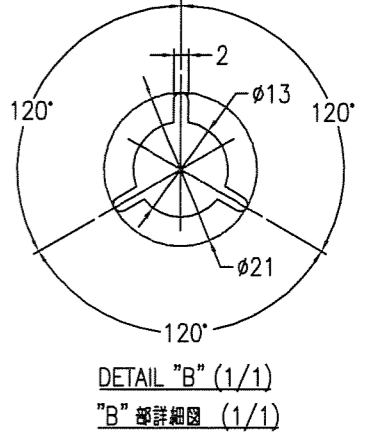
- Lead Free
- Mold material 1E : Non-Halogen free
- 2H : Halogen free
- Embossing tape package 0: 8mm PITCH
- TYPES OF PRODUCT 1: SMT / WITH CABLE LOCK
- 2: SMT / WITHOUT CABLE LOCK
- Contact Side 2: UPPER SIDE
- No of position
- Series name

NOTE

- This article carries out the emboss tape package of the P/N10064555 series connector.
- The shape and dimension of this article are based on JIS C 0806.
(Taping of electronic parts (Surface mounted device))

注記

- 本品は P/N10064555シリーズをエンボステープ梱包したものである。
- 本品の形状及び寸法規定は JIS C 0806 (電子部品のテーピング (表面実装部品)) に準拠する。



| mat'l. code | | | | surface | tolerance | projection | product family | CODE |
|-------------|----------------|----------|-----|------------|---------------------------------------|---------------------|-------------------------------|-------------------|
| --- | | | | ISO 1302 ✓ | ISO 406 ISO 1101 | | 589F FLEX 0.3 | JP |
| ltr | description | ecn no | dr | date | tolerances unless otherwise specified | | title | sheet 1 of 3 size |
| A | RELEASED | J06-0368 | Y.K | 09/06/'06 | angles | 0.X ±0.2 | | |
| B | REVISED | J07-0472 | Y.K | 2007-9-21 | linear | 0.XX ±0.2 | dwg no 10064555 | Rev. E |
| C | ADD NEW P/N | J08-0064 | Y.K | 2008-2-12 | 0'±2' | 0.XXX ±0.2 | | |
| D | ADD NEW P/N | J08-0419 | Y.K | 2008-10-29 | dr | Y.KAMEDA 2011-03-16 | FCJ | Rev. E |
| E | ADD H/F P/N | J11-0067 | Y.K | 2011-03-16 | enr | Y.KAMEDA 2011-03-16 | | |
| | | | | | chr | 2011-3-16 | type Product Customer Drawing | Rev. E |
| | | | | | appd | | | |
| sheet index | revision sheet | E | E | E | | | type Product Customer Drawing | Rev. E |
| | | 1 | 2 | 3 | | | | |

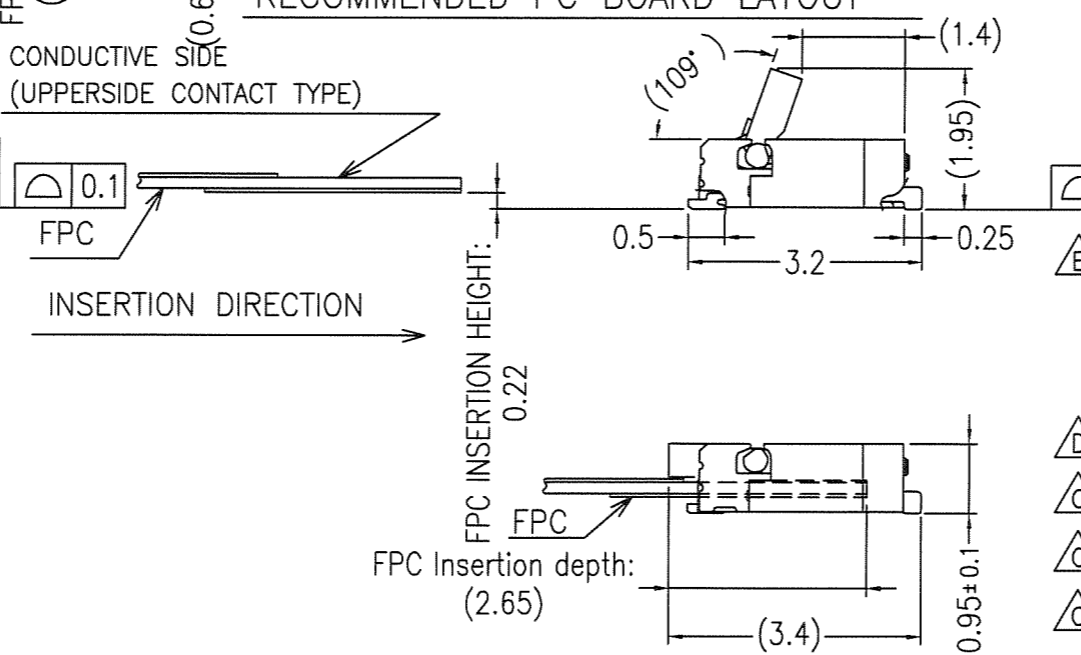
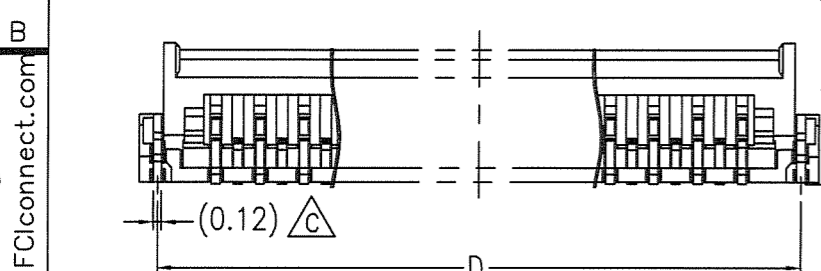
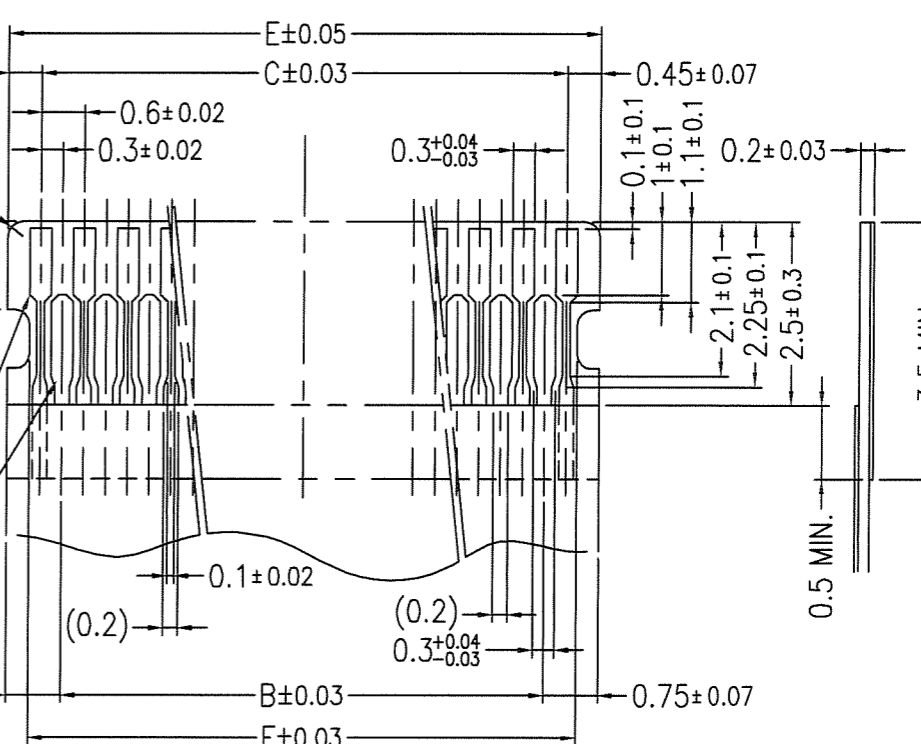
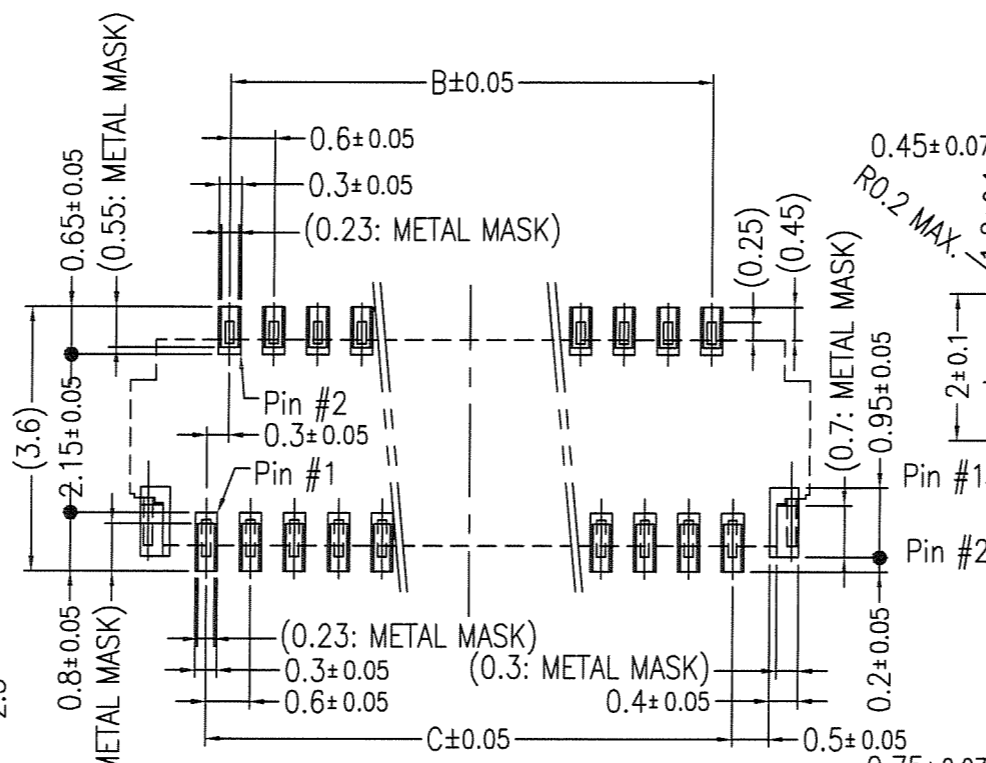
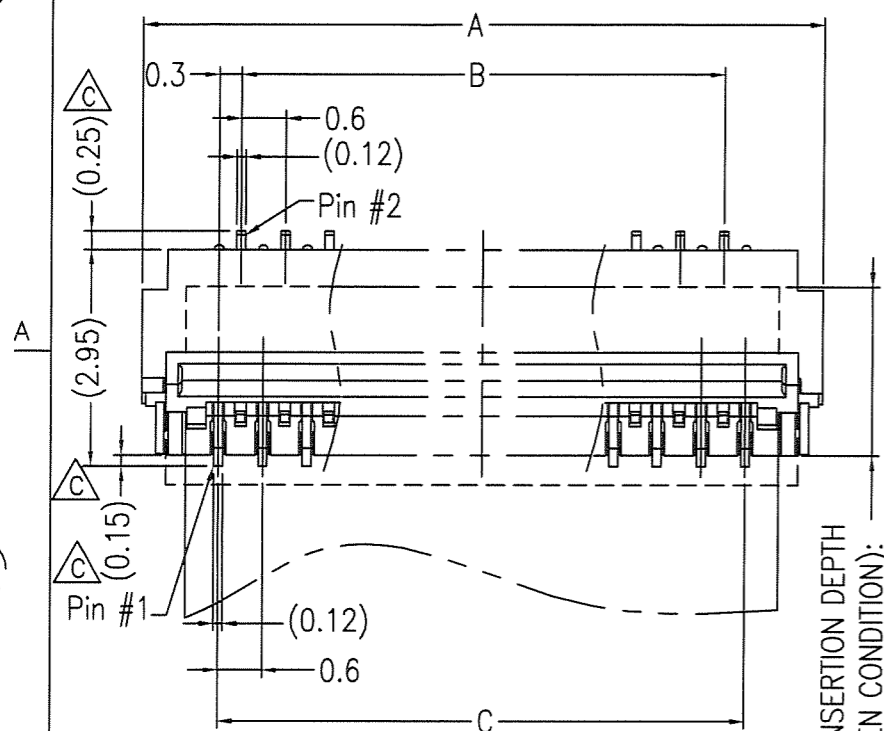


FCIconnect.com

Copyright FCI.

PRODUCT NO.

10064555-**-21**LF



RECOMMENDED FPC CONFIGURATION

NOTE

- MATERIAL
 - HOUSING: THERMOPLASTIC RESIN, UL94V-0, BLACK
 - ACTUATOR: THERMOPLASTIC RESIN, UL94V-0, BEIGE
 - CONTACT: COPPER ALLOY
 - FIXING TAB: COPPER ALLOY
- FINISH
 - CONTACT: ALL OVER Ni, (CONTACT AREA) Au FLASH, (SOLDER TAIL AREA) Au FLASH.
 - FIXING TAB: ALL OVER Ni, Sn PLATING 1.5~3.5μm
- CO-PLANARITY: 0.1 MAX.
- THICKNESS OF A METAL MASK: 0.1mm
- FPC
 - ADHESIVE METHOD OF SUPPORTING TAPE SHALL BE HEAT CRIMPING METHOD AND THERMOSETTING ADHESIVE MATERIAL SHALL BE USED.
- PRODUCT
 - * MARK ITEM IS REFERENCE.
 - RECOMMENDED PCB LAYOUT and FPC ARE THE SAME AS 10061122-**-1110ELF(YLL-DOWN CONTACT TYPE).
- OTHER

THIS PRODUCT MEETS EUROPEAN UNION DIRECTIVES AND OTHER COUNTRY REGULATIONS AS DESCRIBED IN GS-22-008

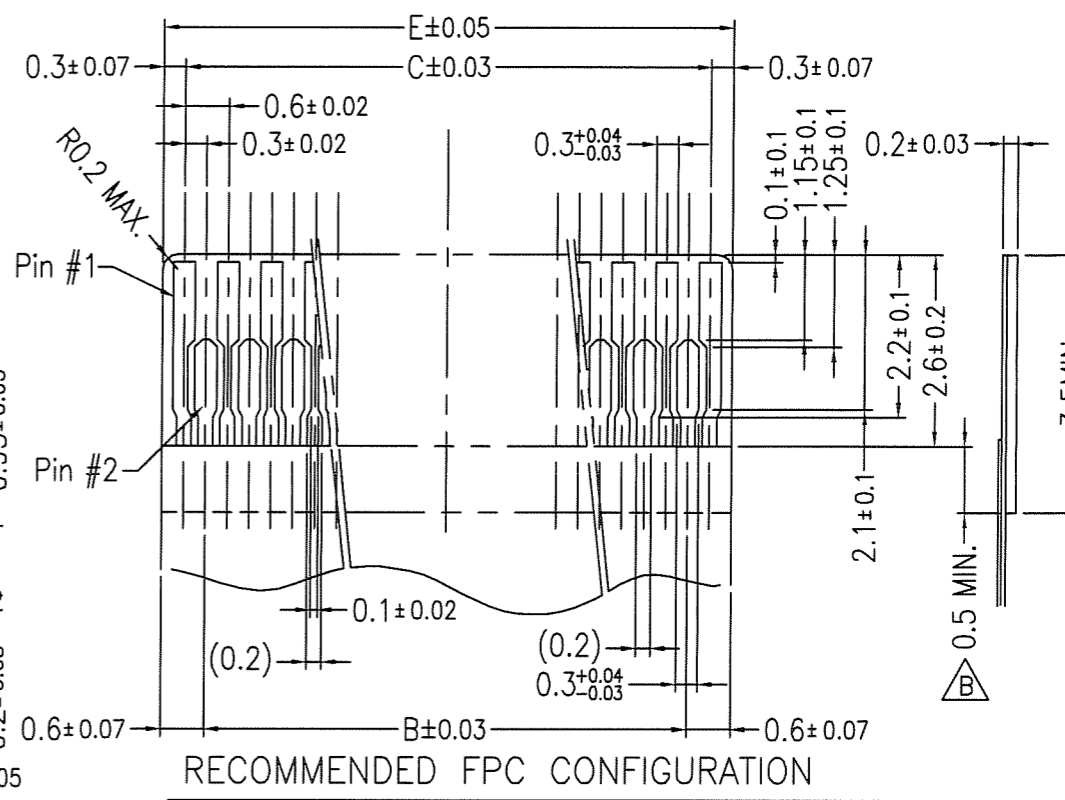
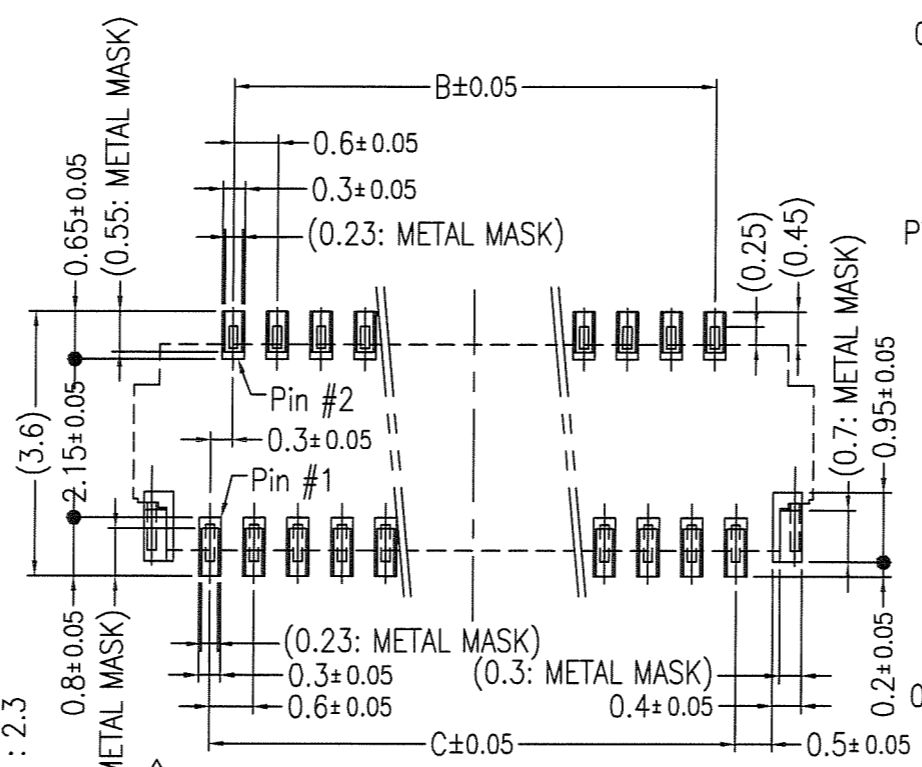
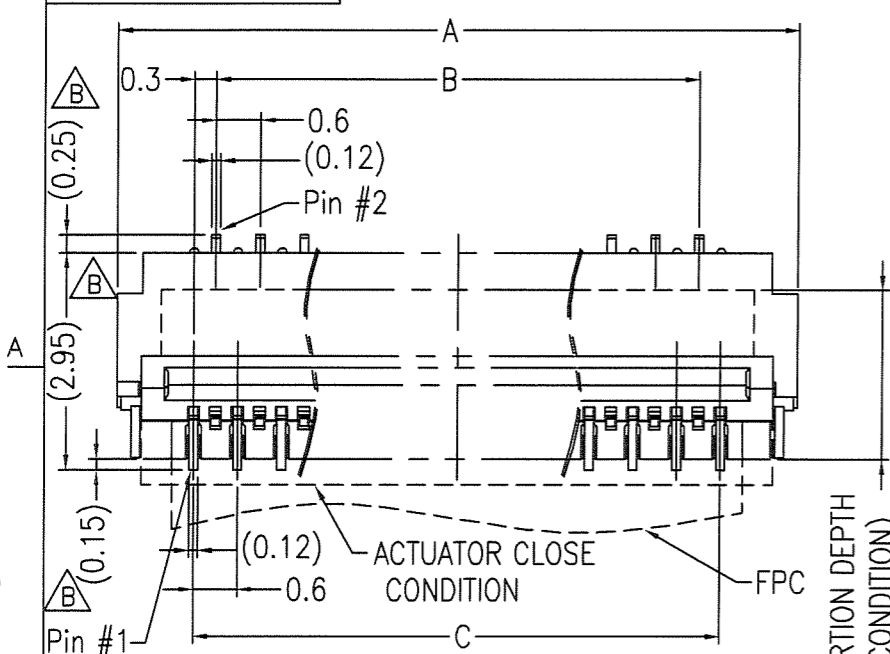
| | | | | | | |
|-------------------|------|------|------|------|------|------|
| 10064555-39211LF | 13.5 | 10.8 | 11.4 | 13.0 | 12.3 | 11.7 |
| 10064555-39212HLF | 13.5 | 10.8 | 11.4 | 13.0 | 12.3 | 11.7 |
| 10064555-35211LF | 12.3 | 9.6 | 10.2 | 11.8 | 11.1 | 10.5 |
| 10064555-33211LF | 11.7 | 9 | 9.6 | 11.2 | 10.5 | 9.9 |
| 10064555-31211LF | 11.1 | 8.4 | 9 | 10.6 | 9.9 | 9.3 |
| 10064555-25211LF | 9.3 | 6.6 | 7.2 | 8.8 | 8.1 | 7.5 |
| 10064555-21211LF | 8.1 | 5.4 | 6.0 | 7.6 | 6.9 | 6.3 |
| 10064555-15211LF | 6.3 | 3.6 | 4.2 | 5.8 | 5.1 | 4.5 |
| P/N | A | B | C | D | E | F |

| | | | | | |
|-------------|----------------|---------------------|------------|----------------|---------------------------------------|
| mat'l. code | surface | tolerance | projection | product family | CODE |
| --- | ISO 1302 ✓ | ISO 406 ISO 1101 | MM | 589F FLEX 0.3 | JP |
| ltr | description | ecn no | dr | date | tolerances unless otherwise specified |
| A | RELEASED | J06-0368 | Y.K | 09/06/'06 | angles linear 0.X ±0.2 |
| B | REVISED | J07-0472 | Y.K | 2007-9-21 | 0.XX ±0.2 |
| C | ADD NEW P/N | J08-0064 | Y.K | 2008-2-12 | 0'±2' 0.XXX ±0.2 |
| D | ADD NEW P/N | J08-0419 | Y.K | 2008-10-29 | dr Y.KAMEDA 2011-03-18 |
| E | ADD NEW P/N | J11-0067 | Y.K | 2011-03-16 | engr Y.KAMEDA 2011-03-18 |
| | | | | | chr Y.KAMEDA 2011-3-16 |
| | | | | | appd M. Kawano Mar 16/11 |
| sheet index | revision sheet | | | | type Product Customer Drawing |
| | | | | | Rev. E |

Copyright FCJ

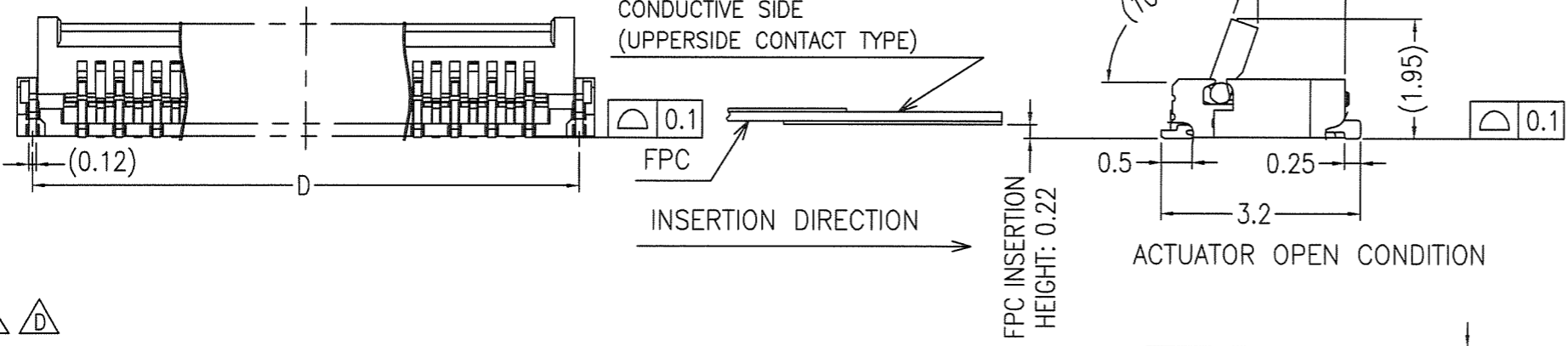
PRODUCT NO.

10064555-**22*LF



RECOMMENDED PC BOARD LAYOUT

RECOMMENDED FPC CONFIGURATION



ACTUATOR OPEN CONDITION

ACTUATOR CLOSE CONDITION

| | | | | | |
|-------------------|------|------|------|------|------|
| 10064555-41221LF | 14.1 | 11.4 | 12.0 | 13.6 | 12.6 |
| 10064555-39221LF | 13.5 | 10.8 | 11.4 | 13.0 | 12.0 |
| 10064555-37221LF | 12.9 | 10.2 | 10.8 | 12.4 | 11.4 |
| 10064555-33221LF | 11.7 | 9 | 9.6 | 11.2 | 10.2 |
| 10064555-31221LF | 11.1 | 8.4 | 9 | 10.6 | 9.6 |
| 10064555-27221LF | 9.9 | 7.2 | 7.8 | 9.4 | 8.4 |
| 10064555-25221LF | 9.3 | 6.6 | 7.2 | 8.8 | 7.8 |
| 10064555-23221LF | 8.7 | 6 | 6.6 | 8.2 | 7.2 |
| 10064555-21221LF | 8.1 | 5.4 | 6.0 | 7.6 | 6.6 |
| 10064555-15222HLF | 8.1 | 5.4 | 6.0 | 7.6 | 6.6 |
| P/N | A | B | C | D | E |

NOTE

1. MATERIAL

1) HOUSING: THERMOPLASTIC RESIN, UL94V-0, BLACK

2) ACTUATOR: THERMOPLASTIC RESIN, UL94V-0, BEIGE

3) CONTACT: COPPER ALLOY

4) FIXING TAB: COPPER ALLOY

2. FINISH

1) CONTACT: ALL OVER Ni, (CONTACT AREA) Au FLASH. (SOLDER TAIL AREA) Au FLASH.

2) FIXING TAB: ALL OVER Ni, Sn PLATING 1.5~3.5μm

3. CO-PLANARITY: 0.1 MAX.

4. THICKNESS OF A METAL MASK: 0.1mm

5. FPC

1) ADHESIVE METHOD OF SUPPORTING TAPE SHALL BE HEAT CRIMPING METHOD AND THERMOSETTING ADHESIVE MATERIAL SHALL BE USED.

6. PRODUCT

1) RECOMMENDED PCB LAYOUT and FPC ARE THE SAME AS 10061122-**1110ELF(YLL-DOWN CONTACT TYPE).

7. OTHER

THIS PRODUCT MEETS EUROPEAN UNION DIRECTIVES AND OTHER COUNTRY REGULATIONS AS DESCRIBED IN GS-22-008

| | | | | | | | | | | | |
|-------------|--|---------------------------------------|--|-----------|--|------------|--|----------------|--|-------------------------------|--|
| mat'l. code | | surface | | tolerance | | projection | | product family | | CODE | |
| --- | | ISO 1302 | | ISO 406 | | MM | | 589F FLEX 0.3 | | JP | |
| ISO 1101 | | tolerances unless otherwise specified | | linear | | scale 10:1 | | title | | ASSEMBLY | |
| A | | RELEASED | | J07-0472 | | Y.K | | 2007-9-21 | | 0.3mm PITCH CONNECTOR FOR FPC | |
| B | | REVISED | | J08-0064 | | Y.K | | 2008-2-12 | | YLL-U Series | |
| C | | ONLY REV. UP | | | | Y.K | | | | | |
| D | | REVISED | | J08-0419 | | Y.K | | 2008-10-29 | | dwg no | |
| E | | ADD NEW P/N | | J11-0067 | | Y.K | | 2011-03-16 | | sheet 3 of 3 size | |
| | | | | | | chr | | Y.KAMEDA | | 10064555 | |
| | | | | | | app | | Y.KAMEDA | | A3 | |
| sheet index | | revision sheet | | | | | | type | | Product Customer Drawing | |
| | | | | | | | | | | Rev. E | |



Copyright FCI.