



Representative photograph, actual product appearance may vary.

Due to regional agency approval requirements, some products may not be available in your area. Please contact your regional Honeywell office regarding your product of choice.

BZ-2RW822T

BZ Series Standard Basic Switch, Single Pole Double Throw Circuitry, 15 A at 250 Vac, Roller Lever Actuator, 1,67 N [6 oz] Maximum Operating Force, Silver Contacts, Screw Termination, CE, CSA, DEMKO, UL

Features

- Accepted world-wide standard "Large Basic" switch
- Low operating force and differential travel
- Long mechanical life up to 20,000,000 cycles at 95% survival
- Elongated mounting hole for easier, more accurate mounting
- Current rating ranges from 15 A to 25 A
- Choice of actuation, termination and operating characteristics

Typical Applications

- Irrigation systems
- Semi-trailer trucks
- Timing devices
- Office equipment
- Test instruments
- Medical/dental equipment
- HVAC equipment
- Manually operated devices
- Valves

Description

BZ/BA Series Standard Basic Switches are used for simple or precision on/off application needs.



BZ-2RW822T

BZ Series Standard Basic Switch, Single Pole Double Throw Circuitry, 15 A at 250 Vac, Roller Lever Actuator, 1,67 N [6 oz] Maximum Operating Force, Silver Contacts, Screw Termination, CE, CSA, DEMKO, UL

Product Specifications

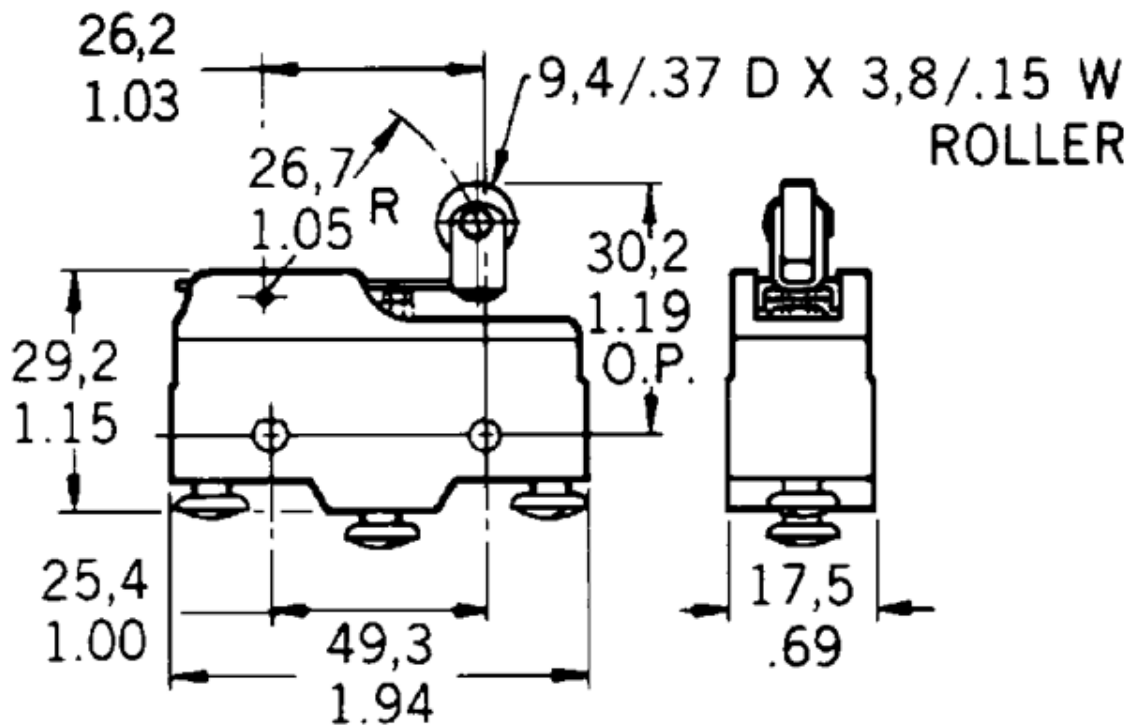
| | |
|-----------------------------|---|
| Switch Type | Standard 25,4 mm H x 17,8 mm W x 50,8 mm L [1.0 in H x 0.7 in W x 2.0 in L] |
| Sealed | No |
| Ampere Rating | 15 A |
| Circuitry | Single Pole Double Throw (SPDT) |
| Actuator | Roller Lever |
| Termination | Screw |
| Operating Temperature Range | -55 °C to 85 °C [-67 °F to 185 °F] |
| Voltage | 250 Vac |
| Approvals | CE, CSA, DEMKO, UL |
| Actuator Length | 26,06 mm [1.026 in] |
| Contact Type | Silver |
| Operating Force (O.F.) | 1,67 N [6.0 oz] max. |
| Release Force (R.F.) | 0,42 N [1.5 oz] min. |
| Overtravel (O.T.) | 2,39 mm [0.094 in] min. |

| | |
|---------------------------------------|---|
| Differential Travel (D.T.) | 0,08 mm - 0,51 mm [0.003 in - 0.020 in] |
| Operating Position (O.P.) | 30,17 mm ± 0,38 mm [1.188 in ± 0.015 in] |
| Free Position (F.P.) | 32,54 mm [1.281 in] max. |
| Material | Plastic |
| Housing Material | General Purpose Phenolic |
| High Temperature | 204 °C [400 °F] |
| CE mark | 61058-1 |
| UL File # | E12252 |
| CSA File # | LR41370 |
| Agency Approvals and Standards | 1054 |
| Mounting Screw Size | 3,53 mm [0.139 in] |
| Mounting Centers | 25,4 mm [1 in] |
| Maximum Tightening Torque | 0,33 N m [3.0 in lb] |
| Weight | 34,5 g [0.076 lb] |
| Package Height | 24,1 mm [0.95 in] |
| Package Width | 17,5 mm [0.69 in] |
| Package Length | 49,3 mm [1.94 in] |
| Recommended For | 26,7 mm [1.05 in] (steel roller) lever applications |
| Availability | Global |
| UNSPSC Code | 30211905 |
| UNSPSC Commodity | 30211905 Snap switches |
| Series Name | BZ Series |

Honeywell

BZ-2RW822T

BZ Series Standard Basic Switch, Single Pole Double Throw Circuitry, 15 A at 250 Vac, Roller Lever Actuator, 1,67 N [6 oz] Maximum Operating Force, Silver Contacts, Screw Termination, CE, CSA, DEMKO, UL



Honeywell

BZ-2RW822T

BZ Series Standard Basic Switch, Single Pole Double Throw Circuitry, 15 A at 250 Vac, Roller Lever Actuator, 1,67 N [6 oz] Maximum Operating Force, Silver Contacts, Screw Termination, CE, CSA, DEMKO, UL

▲ WARNING

PERSONAL INJURY

DO NOT USE these products as safety or emergency stop devices, or in any other application where failure of the product could result in personal injury.

Failure to comply with these instructions could result in death or serious injury.

▲ WARNING

MISUSE OF DOCUMENTATION

- The information presented in this product sheet (or catalog) is for reference only. DO NOT USE this document as product installation information.
- Complete installation, operation and maintenance information is provided in the instructions supplied with each product.

Failure to comply with these instructions could result in death or serious injury.