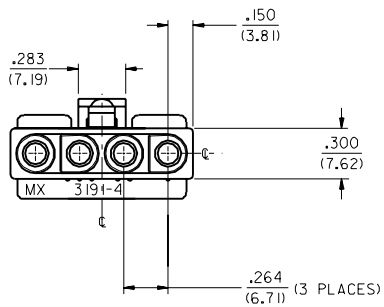


RECEPTACLE



EC NO. UCR1998-0254 DRAWN BY J.WANG 0006007 CHK'D BY B.WIRKUS 0006007 APPR'D BY R.EDGE 0006007	QUALITY SYMBOLS MAJOR $\blacktriangledown=0$ CRITICAL $\nabla=0$	GENERAL TOLERANCES: (UNLESS SPECIFIED)		SCALE 2 : 1	DESIGN UNITS <input type="checkbox"/> mm <input checked="" type="checkbox"/> INCH	DIMENSIONS: <input type="checkbox"/> mm <input checked="" type="checkbox"/> INCH <input type="checkbox"/> mm ONLY	SHT	REV	
		4 PLACES $\pm 0.00$ $\pm 0.00$	3 PLACES $\pm 0.00$ $\pm 0.10$	2 PLACES $\pm 0.25$ $\pm 0.15$	1 PLACE $\pm 0.38$ $\pm 0.00$	ANGULAR: $\pm 1^\circ$	DRAWN BY & DATE J.WANG 98/08/24	CHECKED BY & DATE B.WIRKUS 98/08/24	APPROVED BY & DATE R.EDGE 98/08/24
J3	REV	DRAFT WHERE APPLICABLE MUST REMAIN WITHIN DIMENSIONS			CAD FILENAME S3191402.DGN	MATERIAL NO. SEE SHT.3	DRAWING NO. SD -3191 -4*	SHEET NO. 2	SIZE C
THIS DRAWING CONTAINS INFORMATION THAT IS PROPRIETARY TO MOLEX INCORPORATED AND SHOULD NOT BE USED WITHOUT WRITTEN PERMISSION.									

13 12 11 10 9 8 7 6 5 4 3 2 1

PLUG	
PART NO.	ENG. NO.
19-09-2048	3191-4P
19-09-2049	3191-4P1
19-09-2047	3191-4P-A
19-09-2046	3191-4P1-A

RECEPTACLE	
PART NO.	ENG. NO.
19-09-1049	3191-4R1
19-09-1046	3191-4R1-A

### LEGEND

3191-4\*\*\*\*\*

CIRCUIT SIZE

P = PLUG  
R = RECEPTACLE

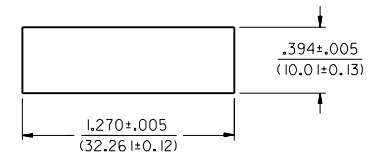
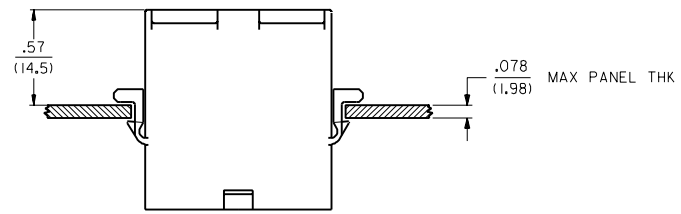
EARS: BLANK = WITH PREBENT EARS (PLUG ONLY)  
I = WITHOUT EARS

COLOR: BLANK = NATURAL COLOR

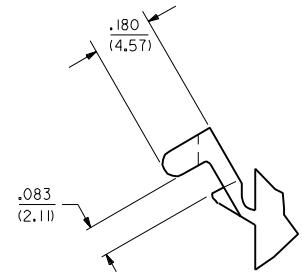
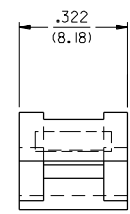
AM=AMBER BK=BLACK BU=BLUE  
BN=BROWN GY=GRAY GN=GREEN  
OR=ORANGE RD=RED YW=YELLOW

COLORS AVAILABLE ONLY IN 94V-2 MATERIAL

MATERIAL: BLANK=NYLON TYPE 6/6, 94V-2 COLOR:NATURAL  
A=NYLON TYPE 6/6, 94V-0 COLOR:WHITE



RECOMMENDED HOLE CUTOUT



DETAIL "A"  
.093/(2.36) PREBENT MOUNTING EAR  
(SCALE 4:1)

EC NO. UCR1998-0254 DRW: J.WANG 000607 CHK: B.WIRKUS 000607 APPR: R.EDGLEY 000607	MAJOR CRITICAL REV	QUALITY SYMBOLS = 0 / 0	GENERAL TOLERANCES: (UNLESS SPECIFIED)		SCALE 2 : 1	DESIGN UNITS <input type="checkbox"/> mm <input checked="" type="checkbox"/> INCH	DIMENSIONS: <input type="checkbox"/> mm <input checked="" type="checkbox"/> INCH <input type="checkbox"/> mm ONLY	SHT 3	REV 3
			4 PLACES ±0.--- ±.---	DRAWN BY & DATE J.WANG 98/08/18	TITLE: .093/(2.36) HOUSINGS PLUG AND RECEPTACLE 4-CKTS, .264/(6.70) CTRS		THIRD ANGLE PROJECTION	REVISION ON CAD ONLY	
			3 PLACES ±0.--- ±.010	CHECKED BY & DATE B.WIRKUS 98/08/18	MATERIAL NO. SD -3191-4*		SHEET NO. 3		
			2 PLACES ±0.25 ±.015 1 PLACE ±0.38 ±.---	APPROVED BY & DATE R.EDGLEY 98/08/18	MOLEX INCORPORATED		SIZE C		
J3	CAD FILENAME S3191403.DGN	DRAFT WHERE APPLICABLE MUST REMAIN WITHIN DIMENSIONS		THIS DRAWING CONTAINS INFORMATION THAT IS PROPRIETARY TO MOLEX INCORPORATED AND SHOULD NOT BE USED WITHOUT WRITTEN PERMISSION.			SHEET NO. 3	REV 3	

LBORD.DGN REV A 96/06/12 LEVEL 5 12 11 10 9 8 7 6 5 4 3 2 1