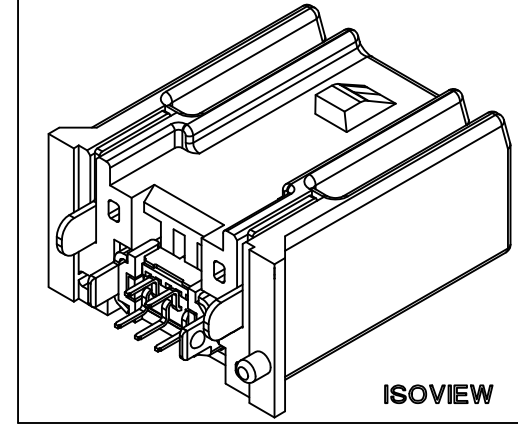
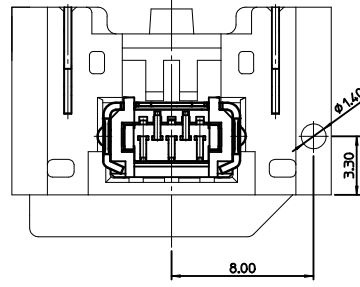
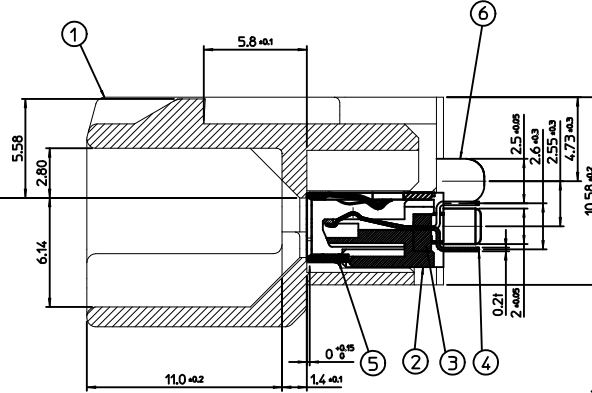
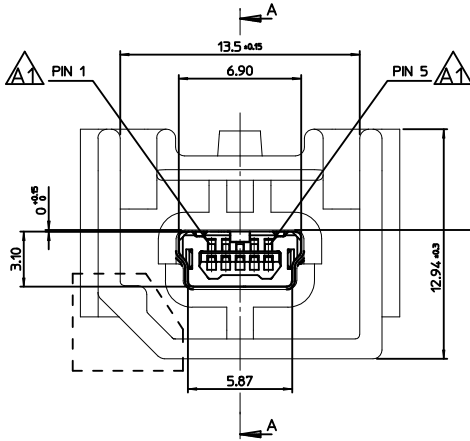


**RECOMMENDED PCB LAYOUT**



- NOTE**
- MATES WITH :  
(MOLEX SERIES NO. - 111014, 111015, 111005, 111041, 111019, 111020)
  - SHROUD GEOMETRY AND ASSEMBLY WITH USB MINI-B CONNECTOR ARE ACCORDING TO USCAR STD 999-U-USB-Z01
  - FINISHES  
- TERMINAL :  
CONTACT AREA : Au 0.75µm MIN.  
SOLDER TAIL AREA : TIN 1.0µm MIN.  
UNDER PLATING : NI 1.0µm MIN.  
- SHIELD CASE :  
3.0µm MIN. TIN OVER NI 1.0µm MIN.  
- FITTING NAIL :  
3.0µm MIN. TIN OVER NI 1.0µm MIN.
  - UNLESS OTHERWISE SPECIFIED, TYPICAL RECOMMENDED PCB MANUFACTURING TOLERANCE IS ±0.05
  - PACKAGING IS TRAY :  
48 PCS/TRAY, 5 TRAY/TRAY BOX,  
240 PCS/TRAY BOX, 960 PCS/CARTON BOX
  - PRODUCT SPECIFICATION : PS-49616-001
  - PACKAGING INFORMATION : PK-104004-001
  - PCB THICKNESS : 1.6mm(REFERENCE)



<TABLE 1>

MATERIAL NO.	ORDER NO.	COLOR
1040040501	104004-0501	BLACK

<PARTS LIST>

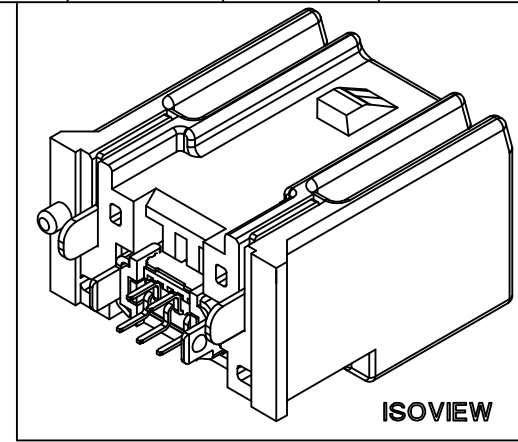
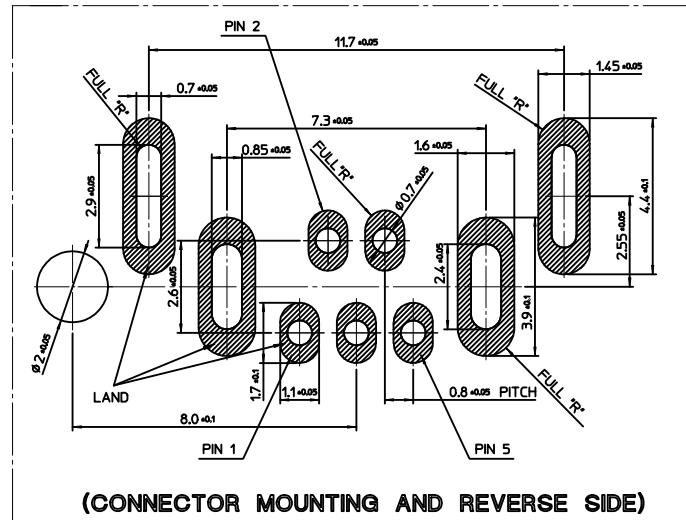
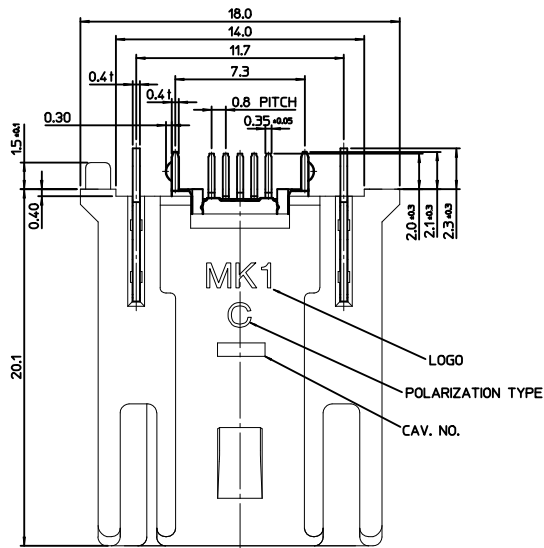
NO.	PART NAME	MATERIAL
1	SHROUD-A	LCP, GLASS FILLED, UL94 V-0
2	RECEPTACLE HOUSING	LCP, GLASS FILLED, UL94 V-0
3	CONTACT HOUSING	LCP, GLASS FILLED, UL94 V-0
4	CONTACT TERMINAL	COPPER ALLOY
5	SHIELD CASE	PHOSPHOR BRONZE
6	BOARD LOCKS PIN	BRASS

ADDED PIN LOCATION  
 EC NO: KOR2011-0037  
 DRWNER:KIM 2010/09/28  
 CHKD:BCY00N 2010/09/28  
 APPR:YUNJIKIM 2010/09/29  
 REV DESCRIPTION  
 A1

QUALITY SYMBOLS  
 ▽=0  
 ▽=0  
 GENERAL TOLERANCES (UNLESS SPECIFIED)  
 mm INCH  
 4 PLACES ± --- ± ---  
 3 PLACES ± 0 ± ---  
 2 PLACES ± 0.15 ± ---  
 1 PLACE ± 0.25 ± ---  
 ANGULAR ± 1 °  
 DRAFT WHERE APPLICABLE  
 MUST REMAIN  
 WITHIN DIMENSIONS

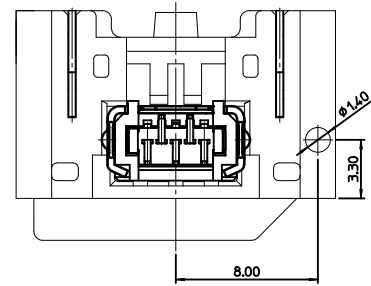
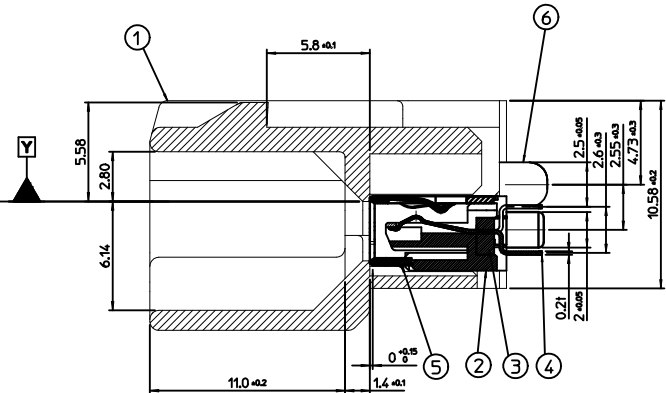
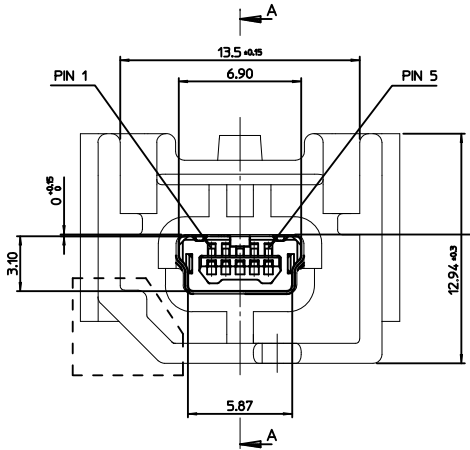
DIMENSION STYLE  
**MM ONLY**  
 DRAWN BY DATE  
 S.M.KIM 2009/06/17  
 CHECKED BY DATE  
 B.C.YOON 2009/06/17  
 APPROVED BY DATE  
 E.H.JUNG 2009/06/17  
 MATERIAL NO.  
**SEE TABLE 1**

SCALE 5:1  
 DESIGN UNITS METRIC  
 THIRD ANGLE PROJECTION  
 TITLE  
**USCAR USB MINI B CONN VERTICAL A**  
 MOLEX MOLEX INCORPORATED  
 DOCUMENT NO. SD-104004-001  
 SHEET NO. 1 OF 1  
 THIS DRAWING CONTAINS INFORMATION THAT IS PROPRIETARY TO MOLEX INCORPORATED AND SHOULD NOT BE USED WITHOUT WRITTEN PERMISSION



(CONNECTOR MOUNTING AND REVERSE SIDE)

- NOTE
- MATES WITH :  
MOLEX SERIES NO. - 111014, 111015, 111005, 111041, 111019, 111020
  - SHROUD GEOMETRY AND ASSEMBLY WITH USB MINI-B CONNECTOR ARE ACCORDING TO USCAR STD 999-U-USB-Z01
  - FINISHES
    - TERMINAL :  
CONTACT AREA : Au 0.75μm MIN.  
SOLDER TAIL AREA : TIN 1.0μm MIN.  
UNDER PLATING : NI 1.0μm MIN.
    - SHIELD CASE :  
3.0μm MIN. TIN OVER NI 1.0μm MIN.
    - FITTING NAIL :  
3.0μm MIN. TIN OVER NI 1.0μm MIN.
  - UNLESS OTHERWISE SPECIFIED, TYPICAL RECOMMENDED PCB MANUFACTURING TOLERANCE IS ±0.05
  - PACKAGING INFORMATION : PK-104004-002
  - PRODUCT SPECIFICATION : PS-49616-001
  - PCB THICKNESS : 1.6mm(REFERENCE)



<TABLE 1>

MATERIAL NO.	ORDER NO.	PACKAGING	COLOR
1040040717	104004-0717	TUBE	BROWN

<PARTS LIST>

NO.	PART NAME	MATERIAL
1	SHROUD	SPS, GLASS FILLED, UL94 HB
2	RECEPTACLE HOUSING	LCP, GLASS FILLED, UL94 V-0
3	CONTACT HOUSING	LCP, GLASS FILLED, UL94 V-0
4	CONTACT TERMINAL	COPPER ALLOY
5	SHIELD CASE	PHOSPHOR BRONZE
6	BOARD LOCKS PIN	BRASS

NEW RELEASE  
 EC NO: KTR2017-0047  
 DRW: HMOON 2017/02/07  
 CHK: BLYOON 2017/02/07  
 APPR: JHBAE 2017/04/27  
 REV A

QUALITY SYMBOLS  
 ▽=0  
 ▽=0

GENERAL TOLERANCES (UNLESS SPECIFIED)  
 mm INCH  
 4 PLACES ± --- ± ---  
 3 PLACES ± 0 ± ---  
 2 PLACES ± 0.15 ± ---  
 1 PLACE ± 0.25 ± ---  
 ANGULAR ± 1°

DRAFT WHERE APPLICABLE  
 MUST REMAIN WITHIN DIMENSIONS

DIMENSION STYLE  
 MM ONLY

SCALE  
 5:1

DESIGN UNITS  
 METRIC

THIRD ANGLE PROJECTION

DRAWN BY  
 S.M.KIM

DATE  
 2009/06/17

CHECKED BY  
 B.C.YOON

DATE  
 2009/06/17

APPROVED BY  
 JHBAE

DATE  
 2012/04/27

MATERIAL NO.  
 SEE TABLE1

DOCUMENT NO.  
 SD-104004-005

SHEET NO.  
 1 OF 1

TITLE  
 USCAR USB MINI B CONN  
 VERTICAL C

MOLEX INCORPORATED

THIS DRAWING CONTAINS INFORMATION THAT IS PROPRIETARY TO MOLEX INCORPORATED AND SHOULD NOT BE USED WITHOUT WRITTEN PERMISSION