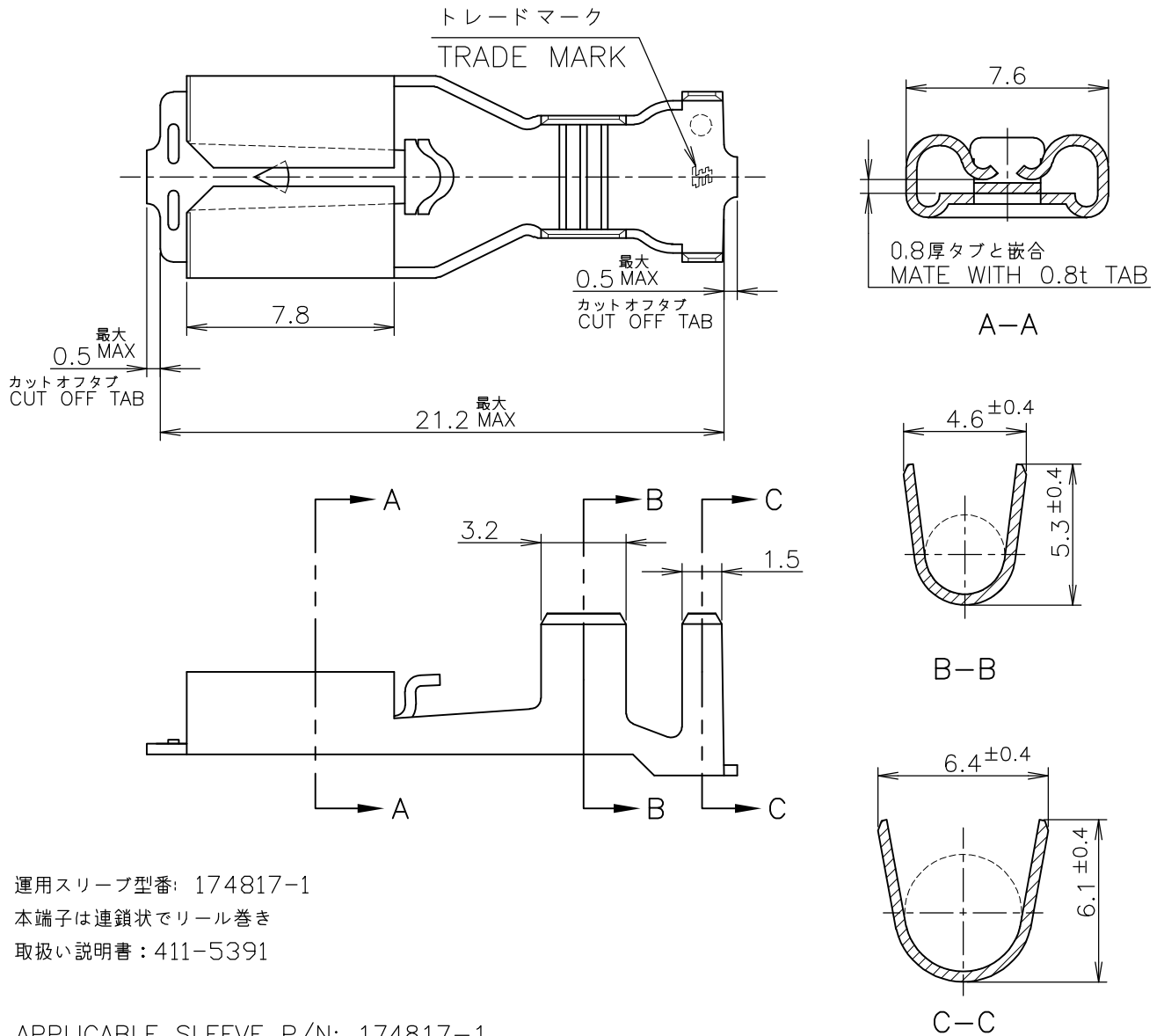


LOC J	DIST /	REVISIONS 変更			DATE	DWN	APVD
		P	LTR	DESCRIPTION			
			C	REDRAWN AND REVISED ECR-10-023816	26NOV2010	T.T	T.M

-1; AS SHOWN



- 1 運用スリーブ型番: 174817-1
- 2 本端子は連鎖状でリール巻き
- 3 取扱い説明書: 411-5391

- 1 APPLICABLE SLEEVE P/N: 174817-1
- 2 CONTINUOUS STRIP ON REELS
- 3 INSTRUCTION SHEET NO: 411-5391

-	PRE TINNED BRASS 錫めっき付 黄銅 0.4t	175024-1
LOOSE PIECE NO. ばら状端子型番	MATERIAL 材料	P/N 型番

WIRE RANGE 包合電線断面積	AWG #15-#10 1.75~5.2 mm ²	INSULATION DIA 被覆外径	3.0~5.1 mmφ
-----------------------	---	------------------------	-------------

THIS DRAWING IS UNPUBLISHED. MAY 1, 1999.

ALL INTERNATIONAL RIGHTS RESERVED. BY TYCO ELECTRONICS CORPORATION. COPYRIGHT 1999

DIMENSIONS: 単位: 耗 mm	DWN M.SUZUKI	11MAY1999	MATERIAL 材料	表参照	FINISH 仕上	SEE TABLE
	CHK M.SHINDO	12MAY1999	Tyco Electronics Corporation Kawasaki, Japan			
TOLERANCES UNLESS OTHERWISE SPECIFIED: 一般公差	APVD M.SHINDO	12MAY1999				
0 PLC ±	PRODUCT SPEC 製品規格	108-5251				
1 PLC ± 10 ≥: ±0.2	APPLICATION SPEC 取付適用規格	114-5119				
2 PLC ± 30 ≥ > 10: ±0.25	WEIGHT	A4 00779 C-175024				
3 PLC ± 100 ≥ > 30: ±0.3	CUSTOMER DRAWING	SIZE	CAGE CODE	DRAWING NO 番号	RESTRICTED TO	
4 PLC ±		A4	00779	C-175024	-	
ANGLES ± 3'	SCALE 尺度		4:1		SHEET	1 OF 1
	REV		C			