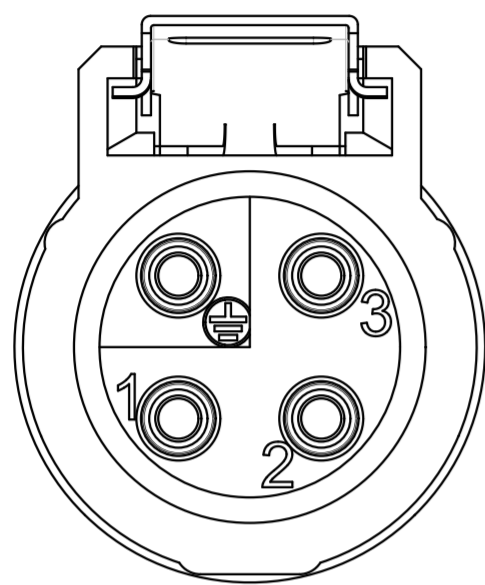
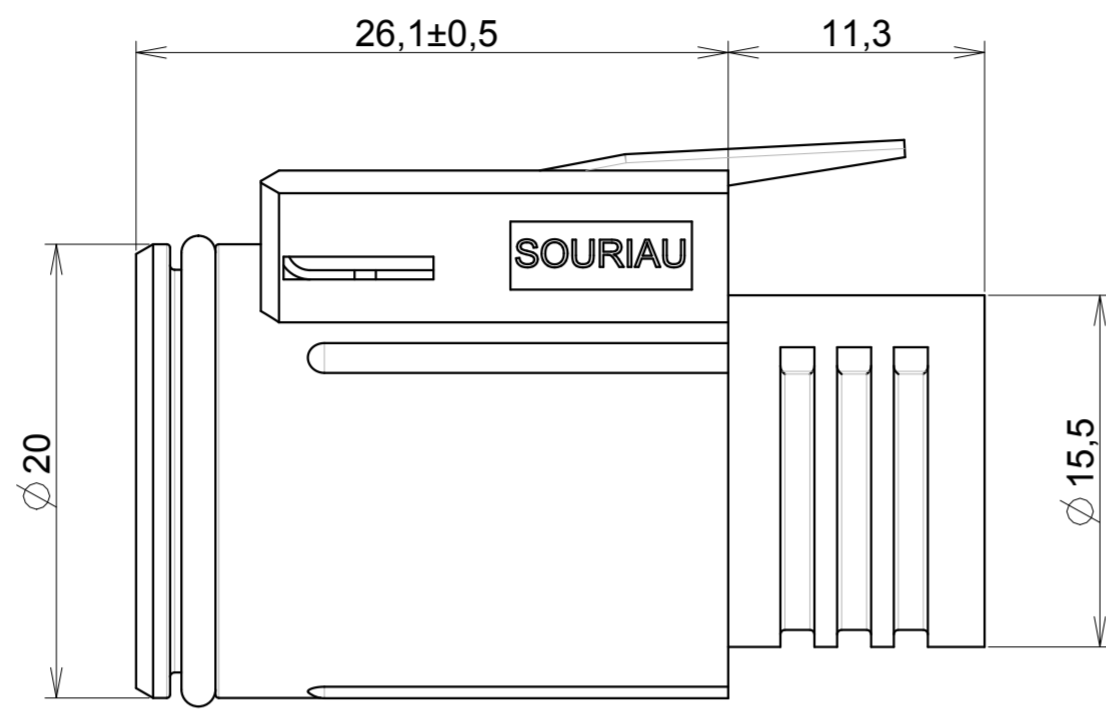
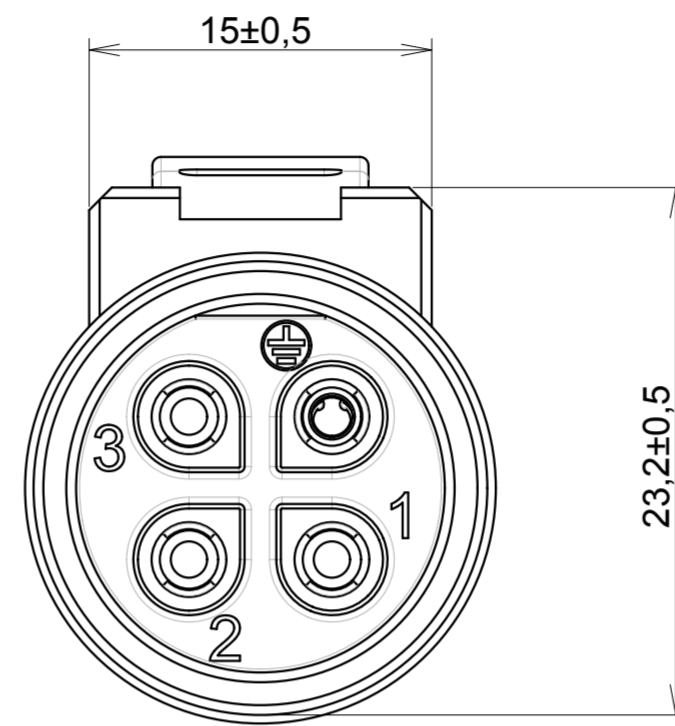


b : 1 : RL

WIRING FACE



MATING FACE



ECHELLE 3/1

MATERIAL :

Shell : PA colour black
 O'ring : NBR
 Contacts : Brass alloy + Nickel and Gold plated
 Latch : passivate Stainless steel

PERFORMANCE CHARACTERISTICS :

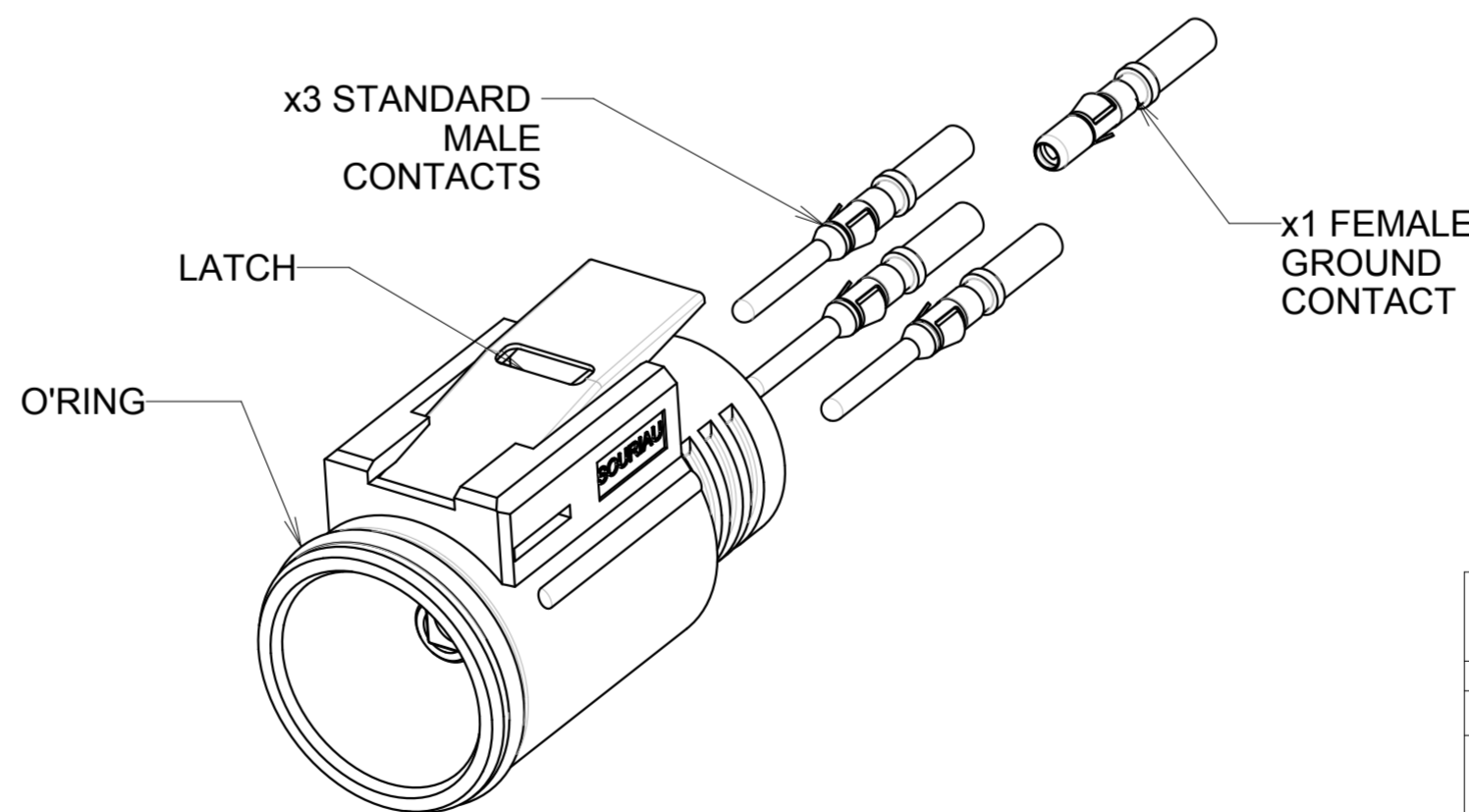
Nominal voltage , current : 277 Vac , 16A per UL standard
 Nominal voltage , current : 250 Vac , 16A per IEC60320-1
 Operating temperature:-40°C up to 80°C
 Corrosion salt spray:500 hours
 Durability: 500 matings and unmatings
 Sealing in mated conditions:
 -IP68 1 bar during 1 week : immersion under 10 m of water.
 (IEC 60529)
 -IP69K : exposure to high pressure water of cleaning
 equipement(DIN 40050)
 -IP67 compliant in unmated conditions (0.1 bar during 1/2 h :
 immersion under 1 m of water per IEC 60529)

Connector in accordance to :

_UL1977
 _UL 5VA

NOTES :

- 1-Shell, o'ring and latch are delivered as pre-assembled kit.
- 2-Contacts to be orderd separately
 ground female contact : x1 SC or RC contact type
 phase male contacts : x3 SM or RM contact type
- 3-Unit: mm



ECHELLE 2/1

P/N : UTL6103G1P

b	07/03/12	Drawing update		---
ISS	DATE	Latest modification - by: RAGAINÉ M.		MOD N°
Designed by: RAGAINÉ M.		Date: 06/12/11	CUSTOMER DRAWING	
TITLE		MALE PLUG LAYOUT 4 CONTACTS UTL CONNECTOR		
Scale	1/1	General linear Tolerances: ± 0,3	NPRDS / PROJECT UTL	
		WWW.SOURIAU.COM		This document is the property of SOURIAU. It must not be reproduced or communicated without permission.
FORMAT	A2	SOURIAU DRG N° UTS2-0009A-C01		SHEET 1 / 1