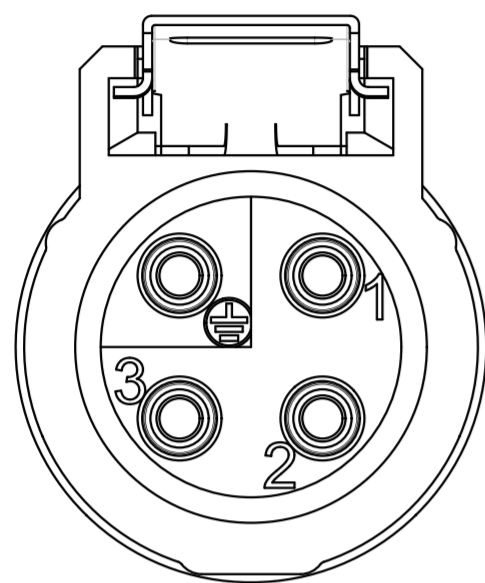
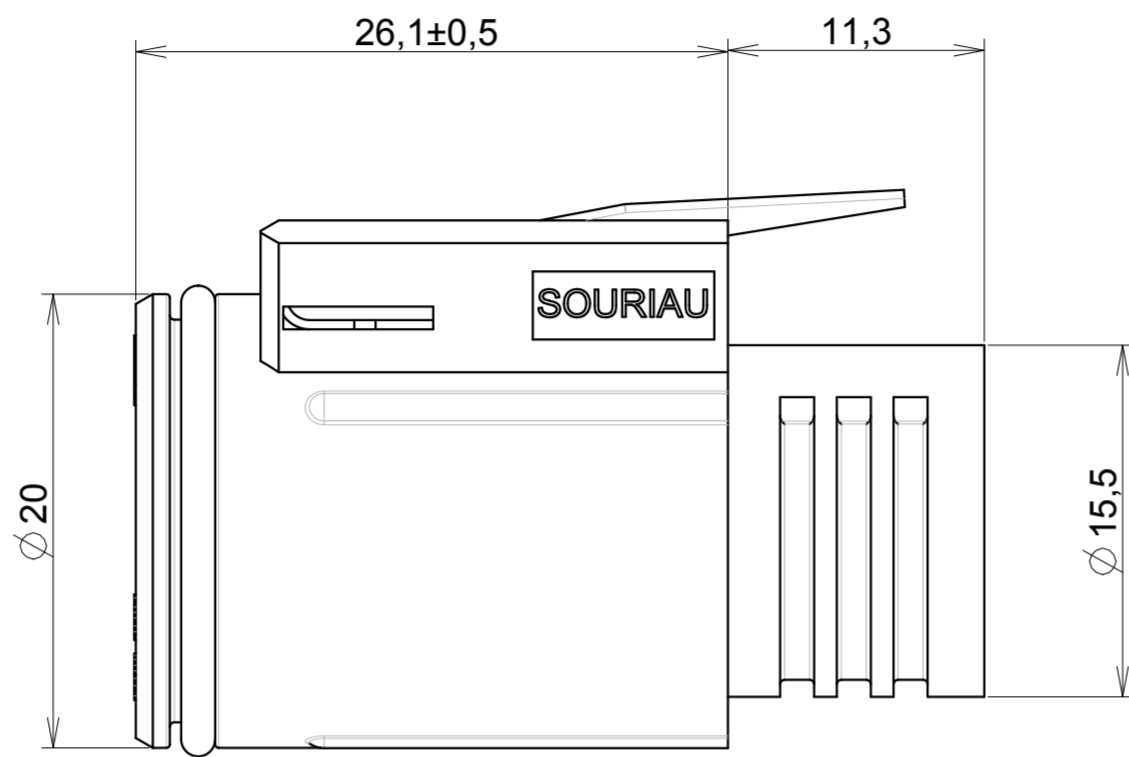
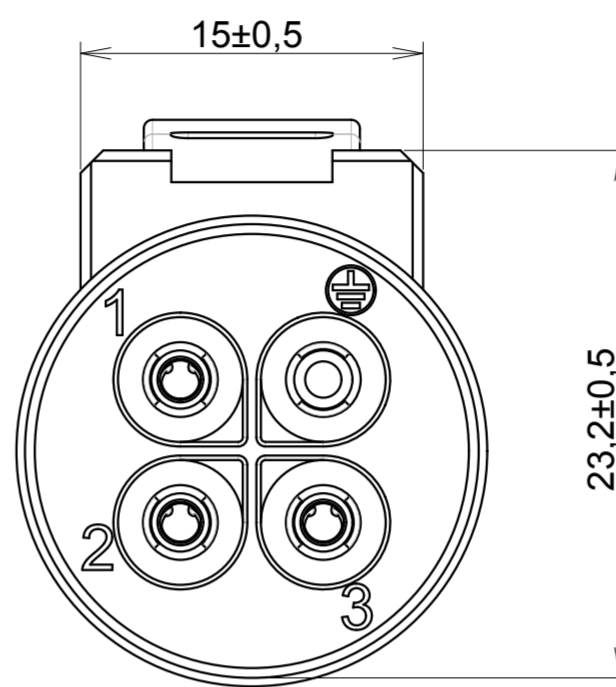


WIRING FACE



MATING FACE



ECHELLE 3/1

MATERIAL :

- Shell : PA colour Black
- O'ring : NBR
- Contacts : Brass alloy + Nickel and Gold plated
- Latch : passivate Stainless steel

PERFORMANCE CHARACTERISTICS :

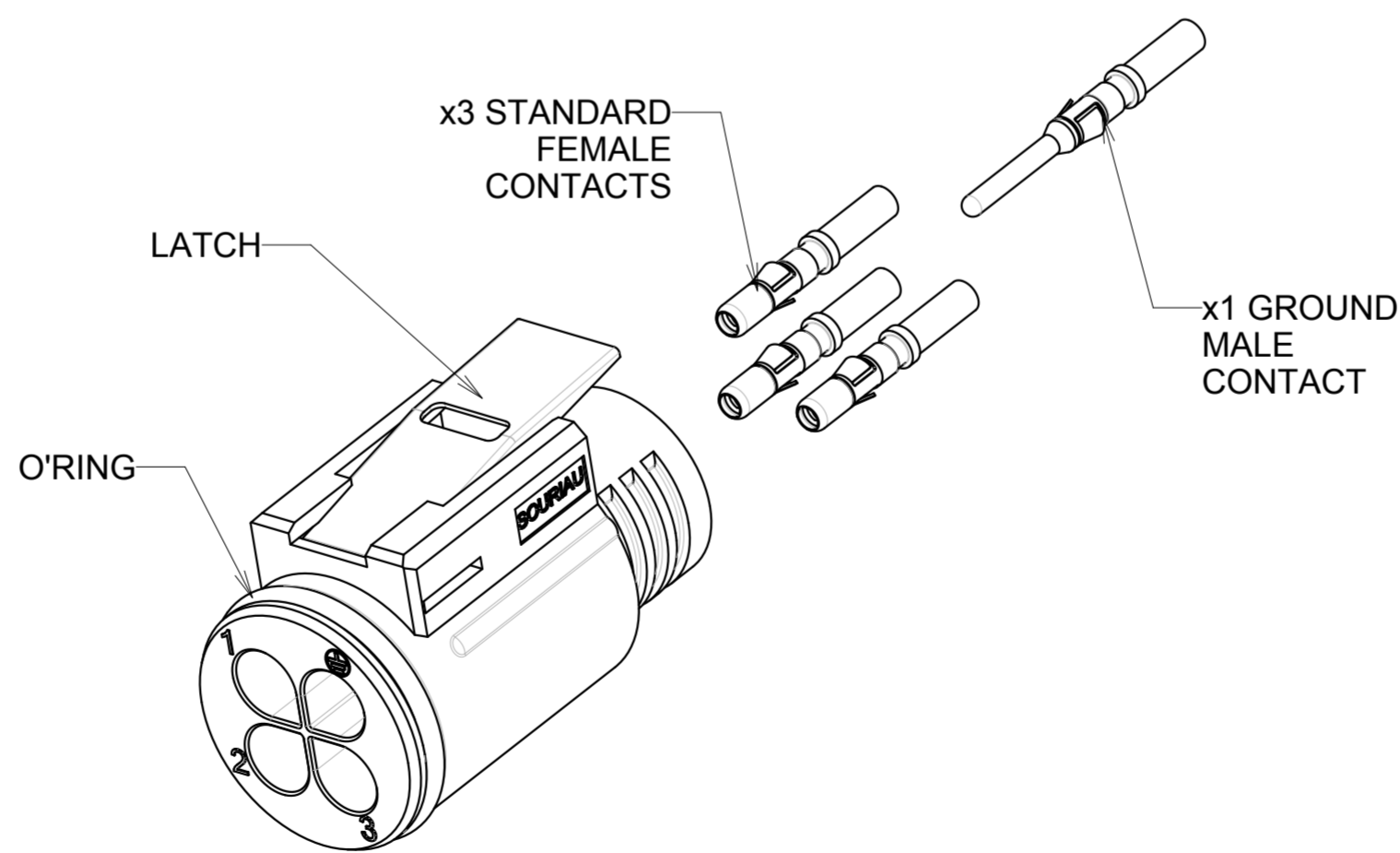
- Nominal voltage , current : 277 Vac , 16A per UL standard
- Nominal voltage , current : 250 Vac , 16A per IEC60320-1
- Operating temperature:-40°C up to 80°C
- Corrosion salt spray:500 hours
- Durability: 500 matings and unmatings
- Sealing in mated conditions:
 - IP68 1 bar during 1 week : immersion under 10 m of water. (IEC 60529)
 - IP69K : exposure to high pressure water of cleaning equipment(DIN 40050)
 - IP67 compliant in unmated conditions (0.1 bar during 1/2 h : immersion under 1 m of water per IEC 60529)

Connector in accordance to :

- _UL1977
- _UL 5VA

NOTES :

- 1-Shell, o'ring and latch are delivered as pre-assembled kit.
- 2-Contacts to be orderd separately .
 - ground male contact : x1 SM or RM contact type
 - phase female contacts : x3 SC or RC contact type
- 3-Unit: mm



P/N : UTL6103G1S

b	07/03/12	-- Drawing update		
ISS	DATE	Latest modification - by: RAGAINÉ M.		MOD N°
Designed by:		RAGAINÉ M.	Date: 06/12/11	CUSTOMER DRAWING
TITLE		FEMALE PLUG LAYOUT 4 CONTACTS UTL CONNECTOR		
Scale	1/1	General linear Tolerances: ± 0,3	NPRDS / PROJECT UTL	
		WWW.SOURIAU.COM		This document is the property of SOURIAU. It must not be reproduced or communicated without permission.
FORMAT	A2	SOURIAU DRG N° UTS2-0010A-C01		SHEET 1 / 1