

a : 6 : RL

MATERIAL :
 Shell : PA colour black
 O'ring : NBR
 Contacts : Brass alloy / Copper alloy + Nickel and Gold plated

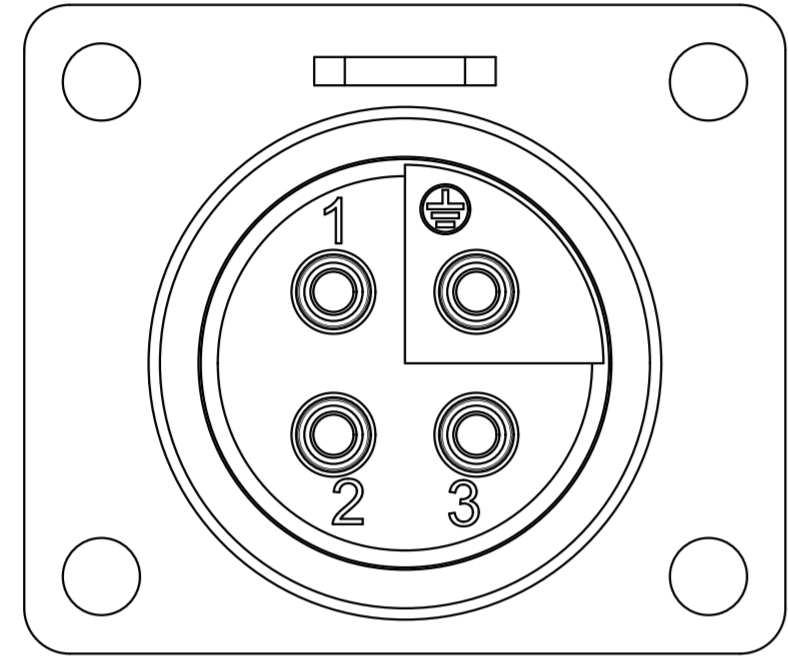
PERFORMANCE CHARACTERISTICS :
 Nominal voltage , current : 277 Vac , 16A per UL standard
 Nominal voltage , current : 250 Vac , 16A per IEC60320-1
 Operating temperature:-40°C up to 80°C
 Corrosion salt spray:500 hours
 Durability: 500 matings and unmatings
 Sealing in mated conditions:
 -IP68 1 bar during 1 week : immersion under 10 m of water.
 (IEC 60529)
 -IP69K : exposure to high pressure water of cleaning
 equipment(DIN 40050)

Connector in accordance to :
 UL1977
 UL 5VA

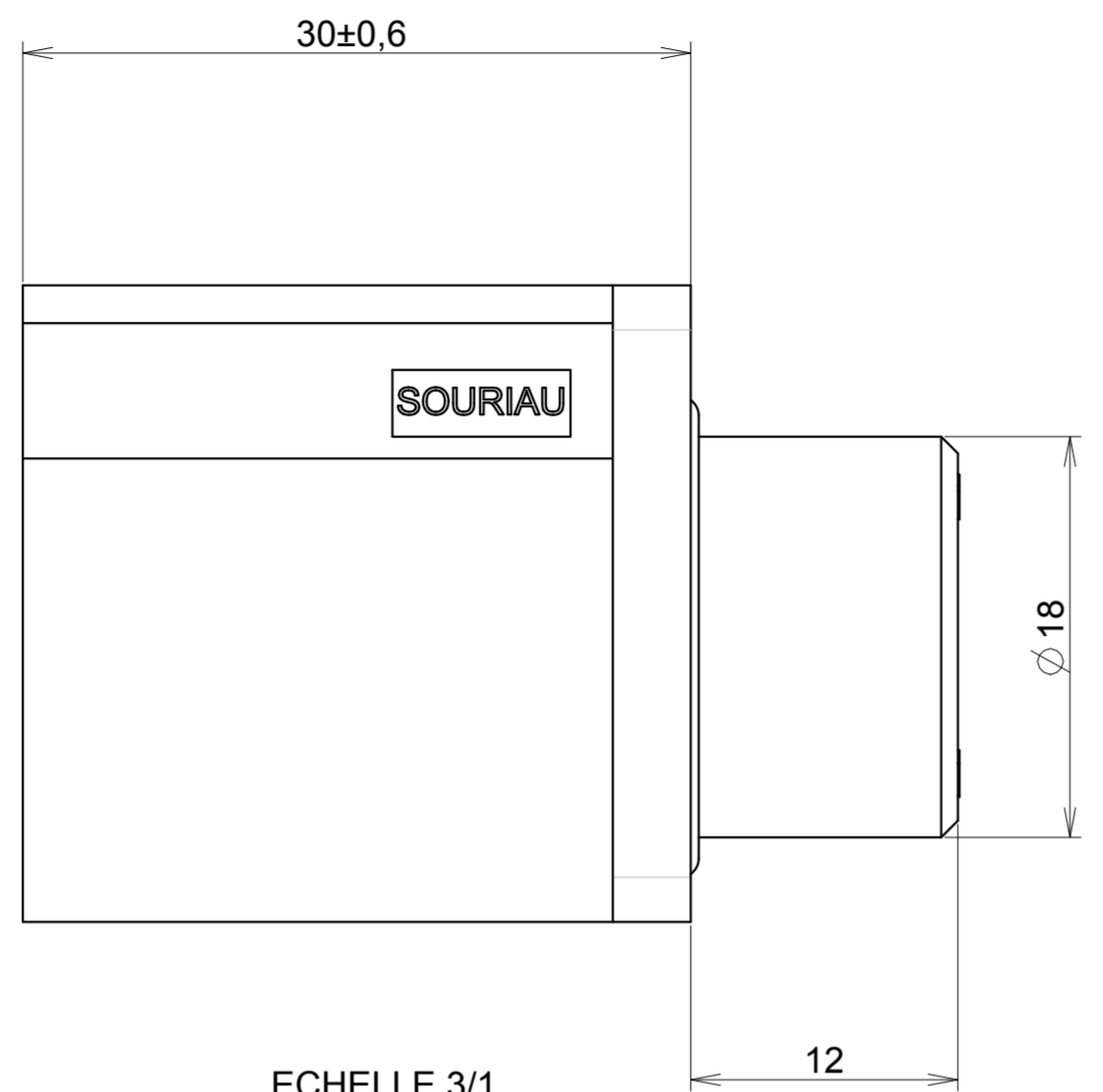
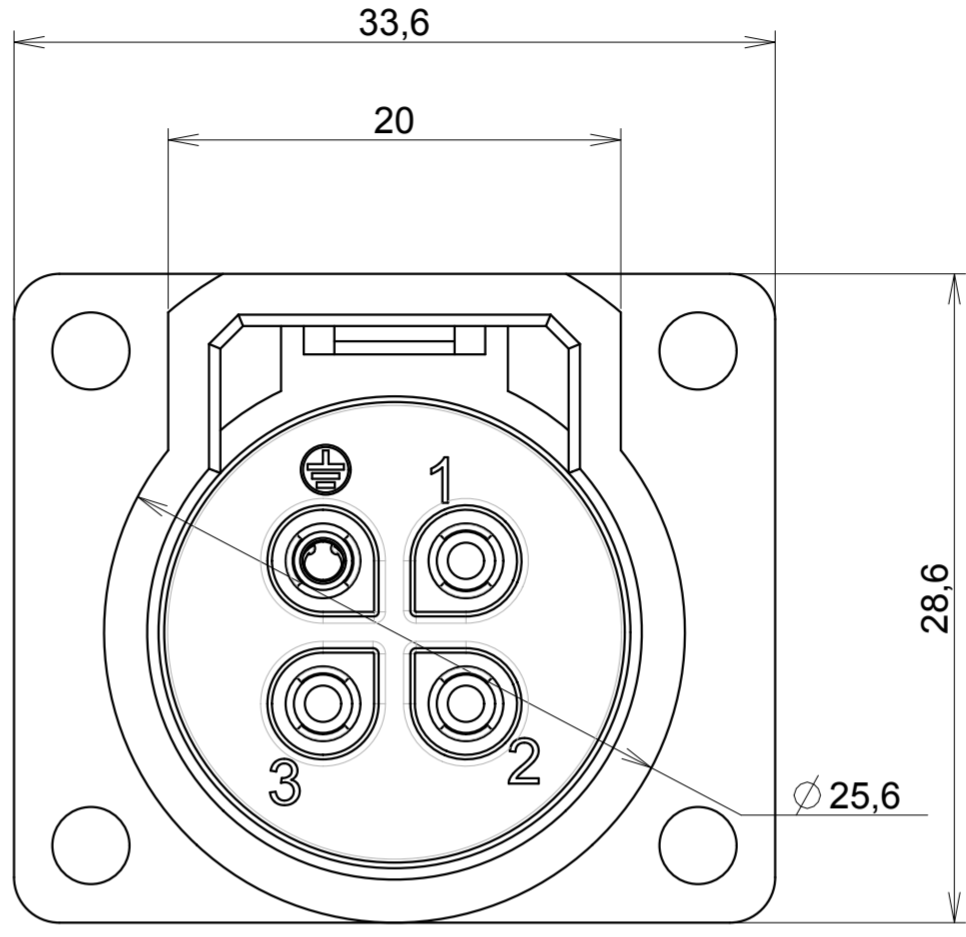
NOTES :
 -1-Shell and o'ring are delivered as pre-assembled kit.
 -2-Contacts to be orderd separately :
 ground female contact : x1 SC or RC
 phase male contacts : x3 SM or RM

-3-Unit: mm

WIRING FACE

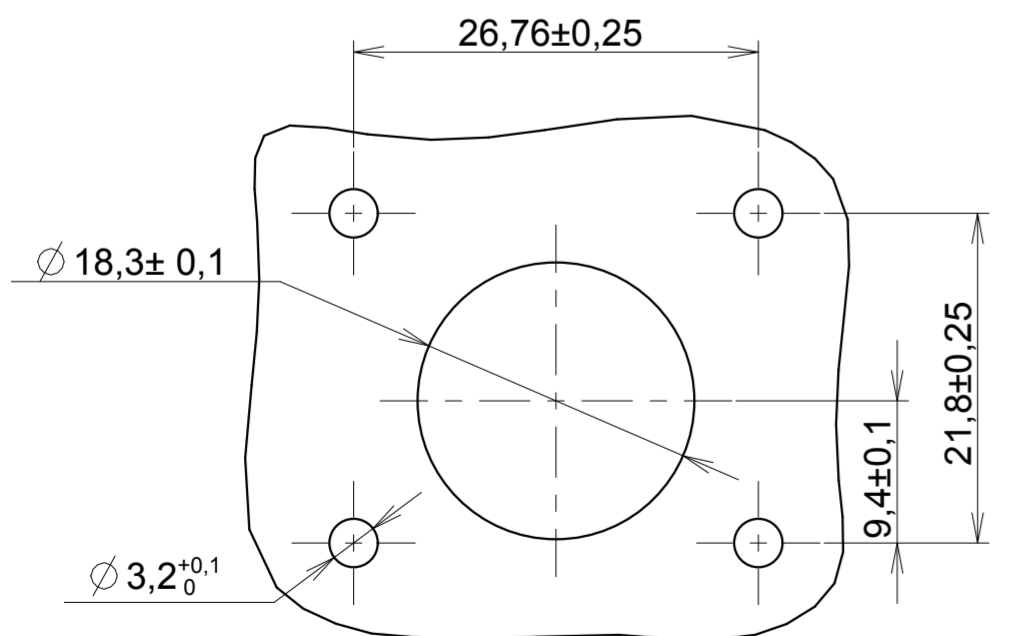


MATING FACE

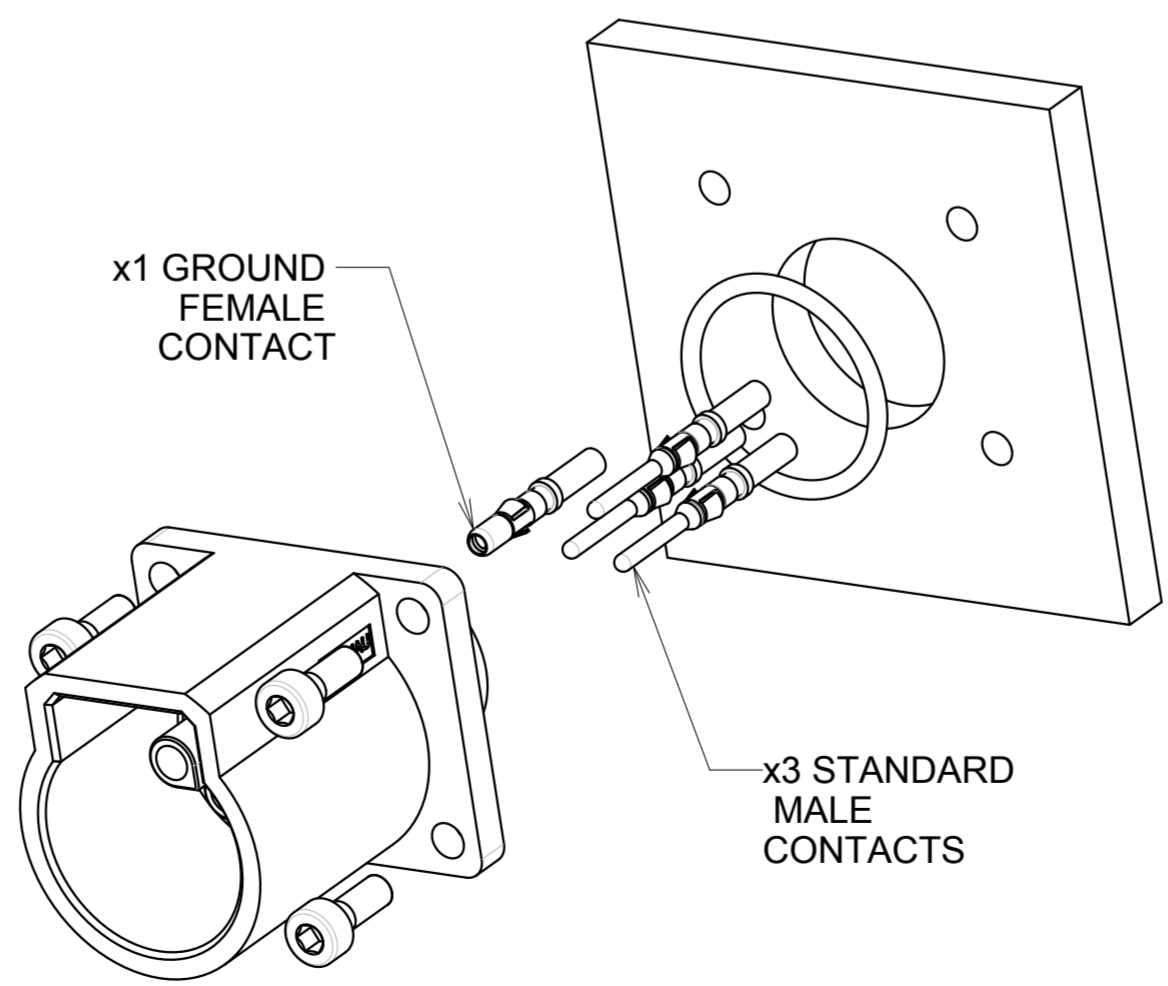


ECHELLE 3/1

PANEL CUT OUT



ECHELLE 2/1



ECHELLE 3/2

P/N : UTL0103G1P

a	18/04/2012	New drawing		MOD N°
ISS	DATE	Latest modification - by: --		MOD N°
Designed by:		RAGINE M.	Date: 18/04/12	CUSTOMER DRAWING
TITLE		MALE SQUARE FLANGE RECEPTACLE LAYOUT 4CTS UTL CONNECTOR		
Scale	1/1	General linear Tolerances: ± 0,3	NPRDS / PROJECT UTL	
		WWW.SOURIAU.COM		This document is the property of SOURIAU. It must not be reproduced or communicated without permission.
FORMAT	A2	SOURIAU DRG N° UTS2-0005A-C01		SHEET 1 / 1