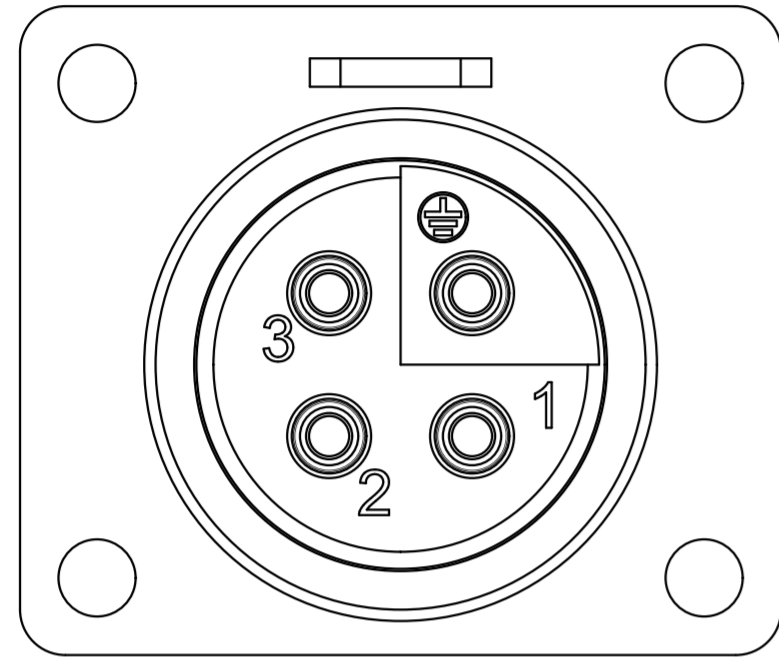
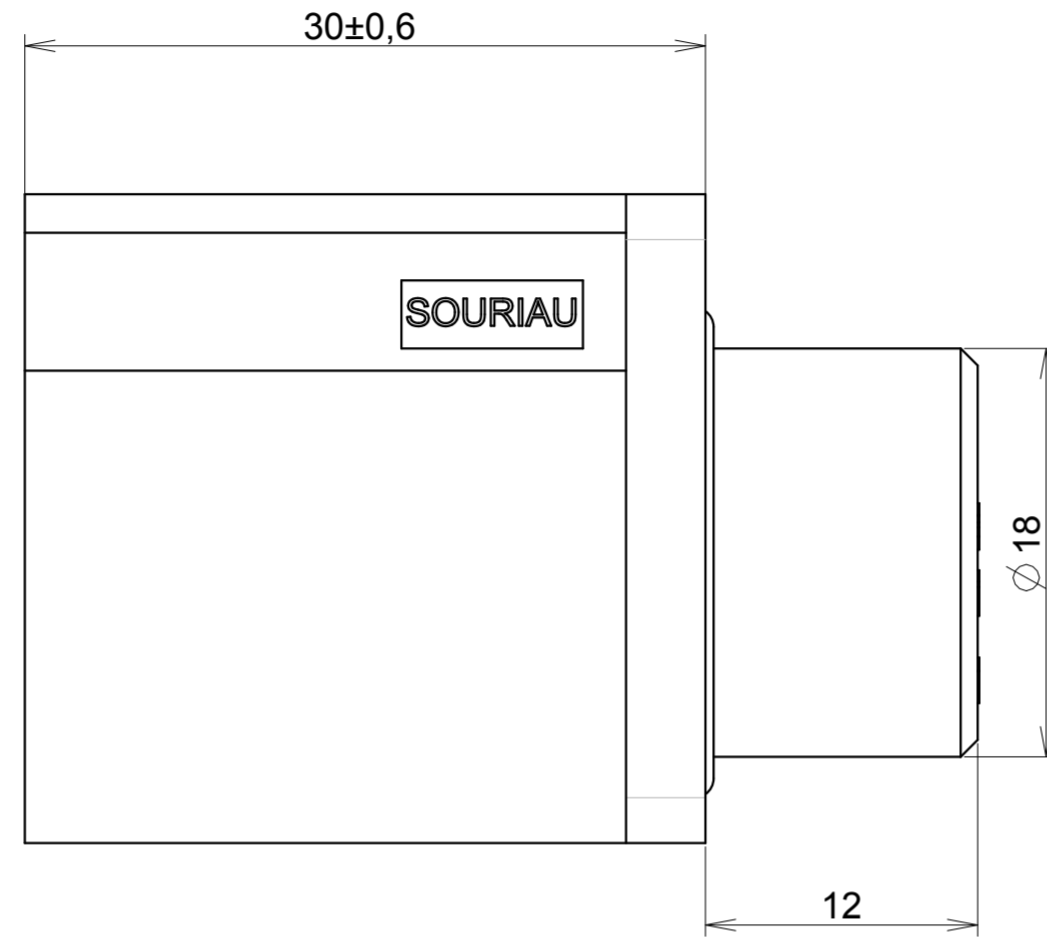
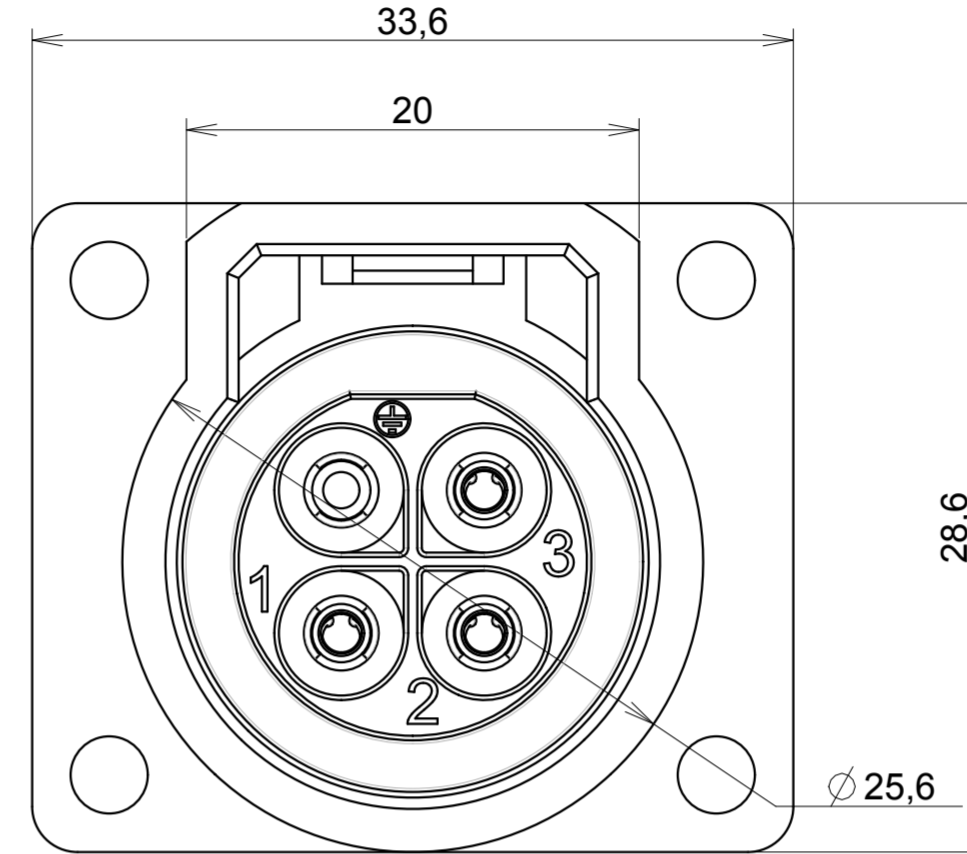


WIRING FACE



MATING FACE



MATERIAL :

Shell : PA colour black
 O'ring : NBR
 Contacts : Brass alloy / Copper alloy + Nickel and Gold plated

PERFORMANCE CHARACTERISTICS :

Nominal voltage , current : 277 Vac , 16A per UL standard
 Nominal voltage , current : 250 Vac , 16A per IEC60320-1
 Operating temperature:-40°C up to 80°C
 Corrosion salt spray:500 hours
 Durability: 500 matings and unmatings
 Sealing in mated conditions:
 -IP68 1 bar during 1 week : immersion under 10 m of water. (IEC 60529)
 -IP69K : exposure to high pressure water of cleaning equipment(DIN 40050)

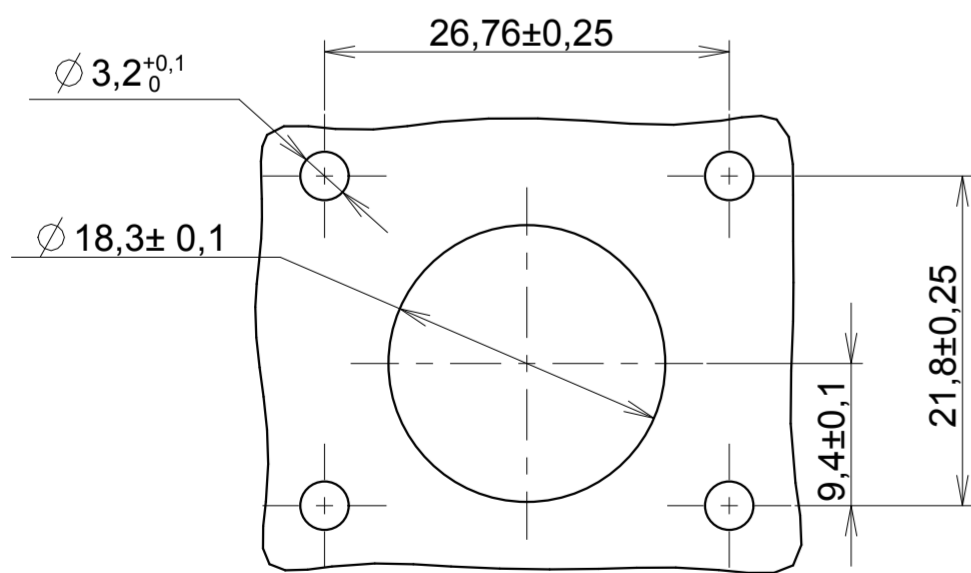
Connector in accordance to :

_UL 1977
 _UL 5VA

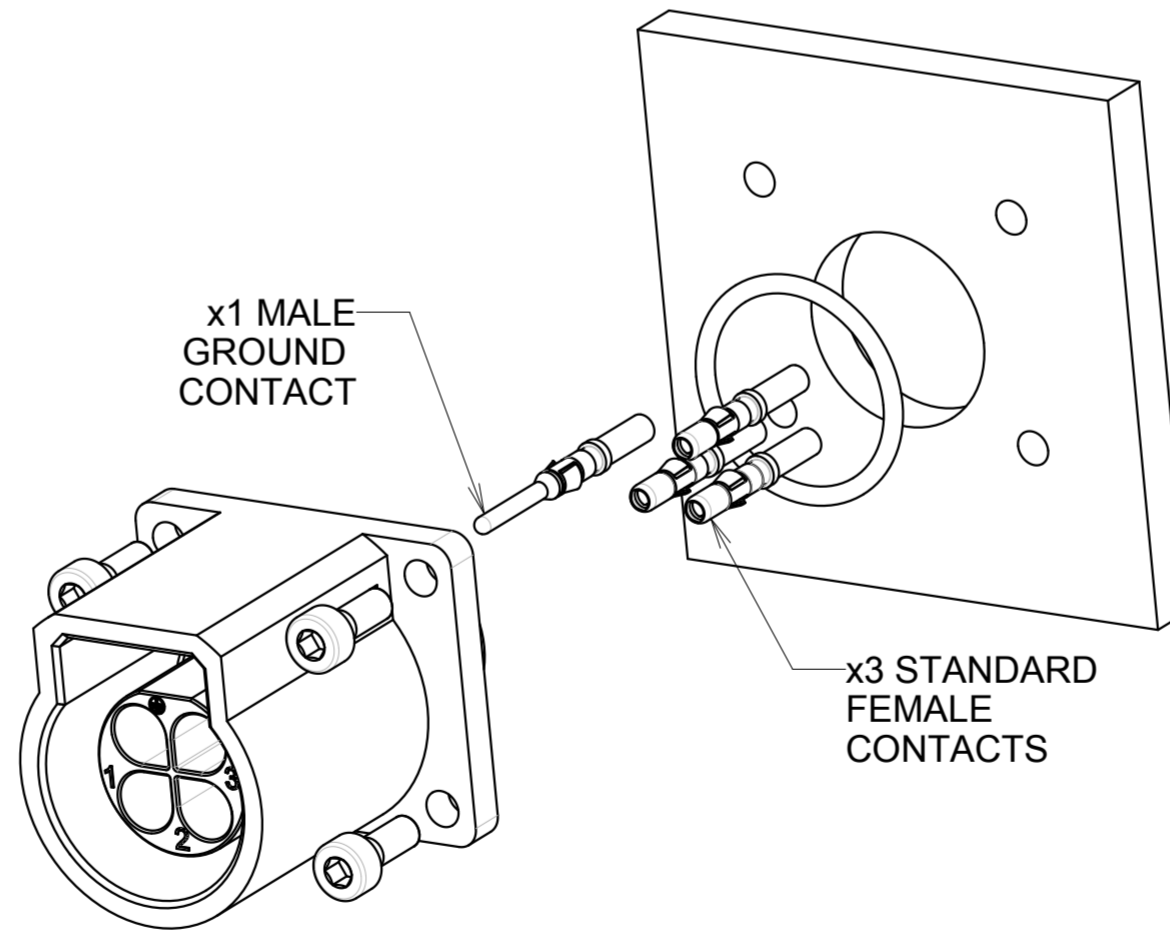
NOTES :

- 1-Shell and o'ring are delivered as pre-assembled kit.
- 2-Contacts to be orderd separately :
 ground male contact : x1 SM or RM
 phase female contacts : x3 SC or RC
- 3-Unit: mm

PANEL CUT OUT



ECHELLE 2/1



ECHELLE 3/2

P/N : UTL0103G1S

a	18/04/2012	New drawing	
ISS	DATE	Latest modification - by:	MOD N°
Designed by:	RAGAINÉ M.	Date: 18/04/12	CUSTOMER DRAWING
TITLE	FEMALE QUARE FLANGE RECEPTACLE LAYOUT 4 CTS UTL CONNECTOR		
Scale	1/1	General linear Tolerances: ± 0,3	NPRDS / PROJECT UTL
		WWW.SOURIAU.COM	This document is the property of SOURIAU. It must not be reproduced or communicated without permission.
FORMAT	SOURIAU DRG N° UTS2-0006A-C01		SHEET 1 / 1