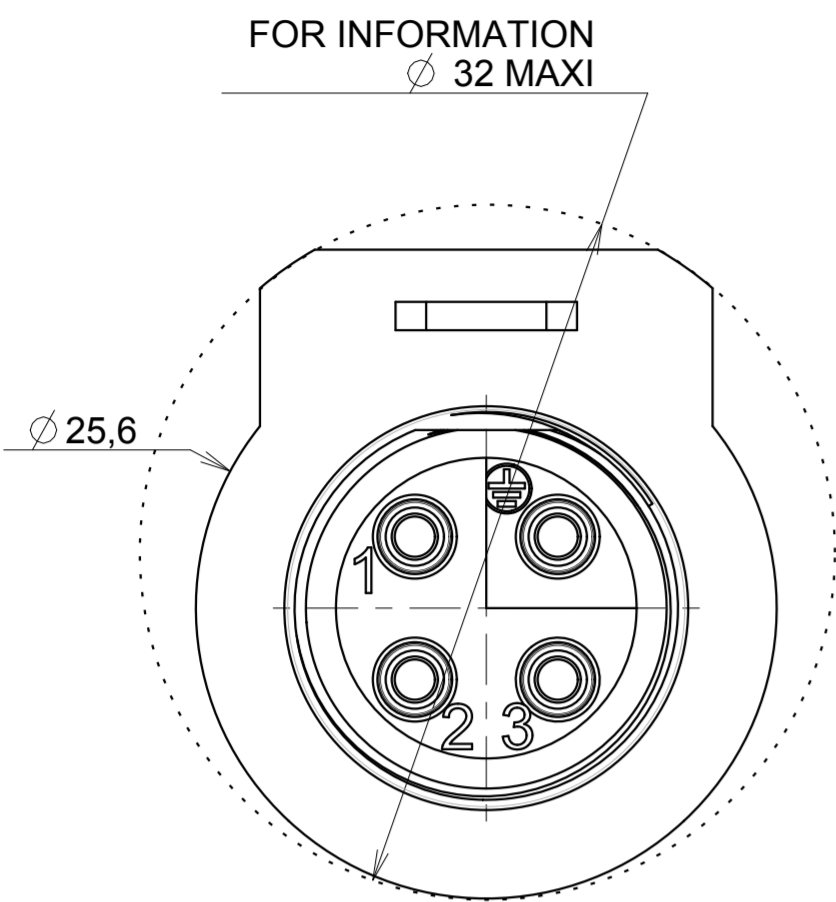
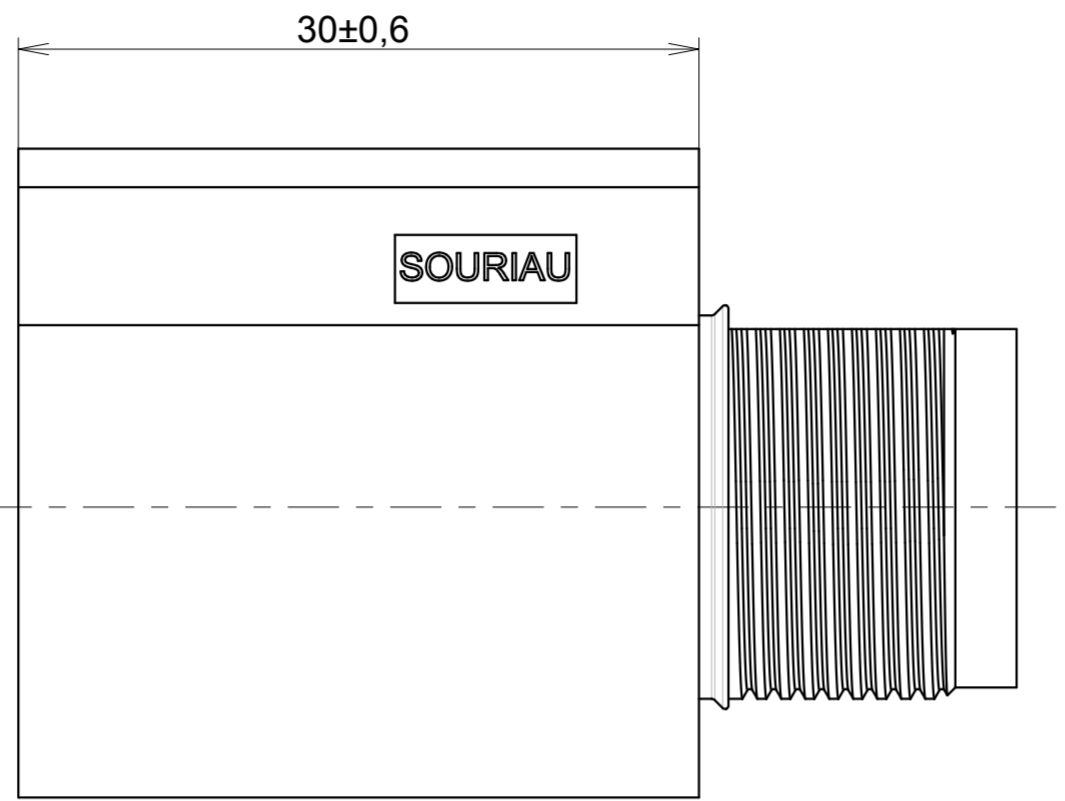
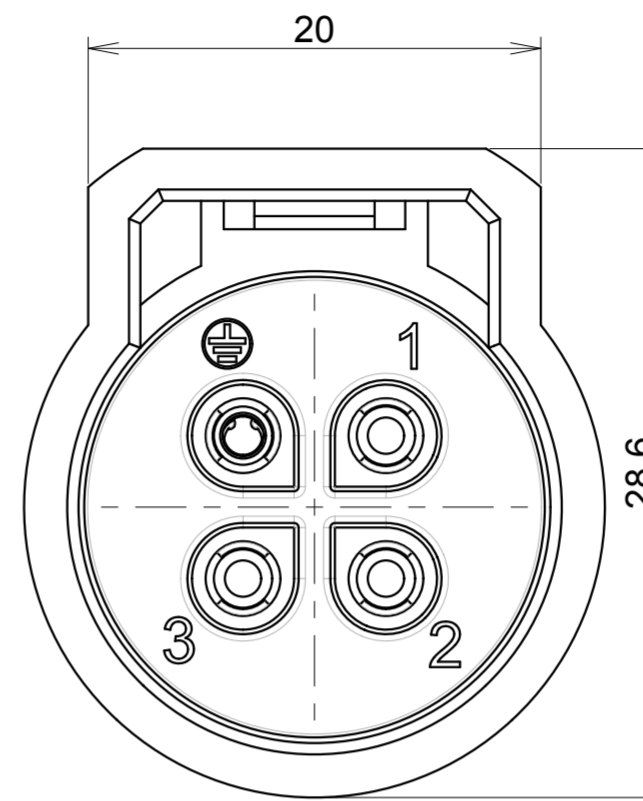


a : 1 : RL

WIRING FACE



MATING FACE



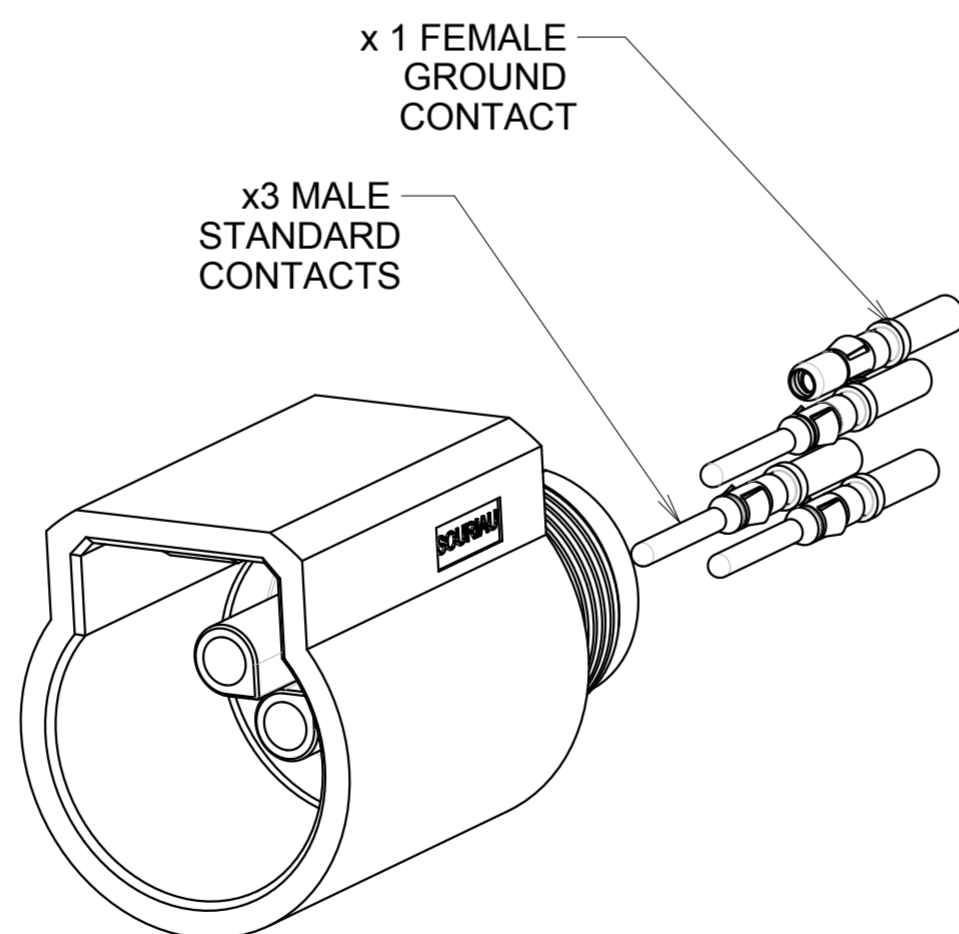
MATERIAL :

Shell : PA colour black  
 Contacts : Brass alloy + Nickel and Gold plated

PERFORMANCE CHARACTERISTICS :  
 Nominal voltage , current : 277 Vac , 16A per UL standard  
 Nominal voltage , current : 250 Vac , 16A per IEC60320-1  
 Operating temperature:-40°C up to 80°C  
 Corrosion salt spray:500 hours  
 Durability: 500 matings and unmatings  
 Sealing in mated conditions:  
 -IP68 1 bar during 1 week : immersion under 10 m of water.  
 (IEC 60529)  
 -IP69K : exposure to high pressure water of cleaning  
 equipment(DIN 40050)  
 -IP67 compliant in unmated conditions ( 0.1 bar during 1/2 h :  
 immersion under 1 m of water per IEC 60529)

Connector in accordance to :  
 \_UL1977  
 \_UL 5VA

NOTES :  
 -1-Shell, o'ring and latch are delivered as pre-assembled kit.  
 -2-Contacts to be orderd separately  
 ground female contact : x1 SC or RC contact type  
 phase male contacts : x3 SM or RM contact type  
 -3-Unit: mm



P/N : UTL1103G1P

a	07/03/2012	New drawing		
ISS	DATE	Latest modification - by:		MOD N°
Designed by:		RAGINE M.	Date:25/01/12	CUSTOMER DRAWING
TITLE		MALE FREE HANGING SIZE 10 UTL CONNECTOR		
Scale	1/1	General linear Tolerances: ± 0,3	NPRDS / PROJECT UTL	
		<a href="http://WWW.SOURIAU.COM">WWW.SOURIAU.COM</a>		This document is the property of SOURIAU. It must not be reproduced or communicated without permission.
FORMAT	A2	SOURIAU DRG N° UTS2-0015A-C01		SHEET 1 / 1