

Customer Information Sheet

DRAWING No.: S8401-46

SHEET 2 OF 2

IF IN DOUBT - ASK

©

NOT TO SCALE

THIRD ANGLE PROJECTION

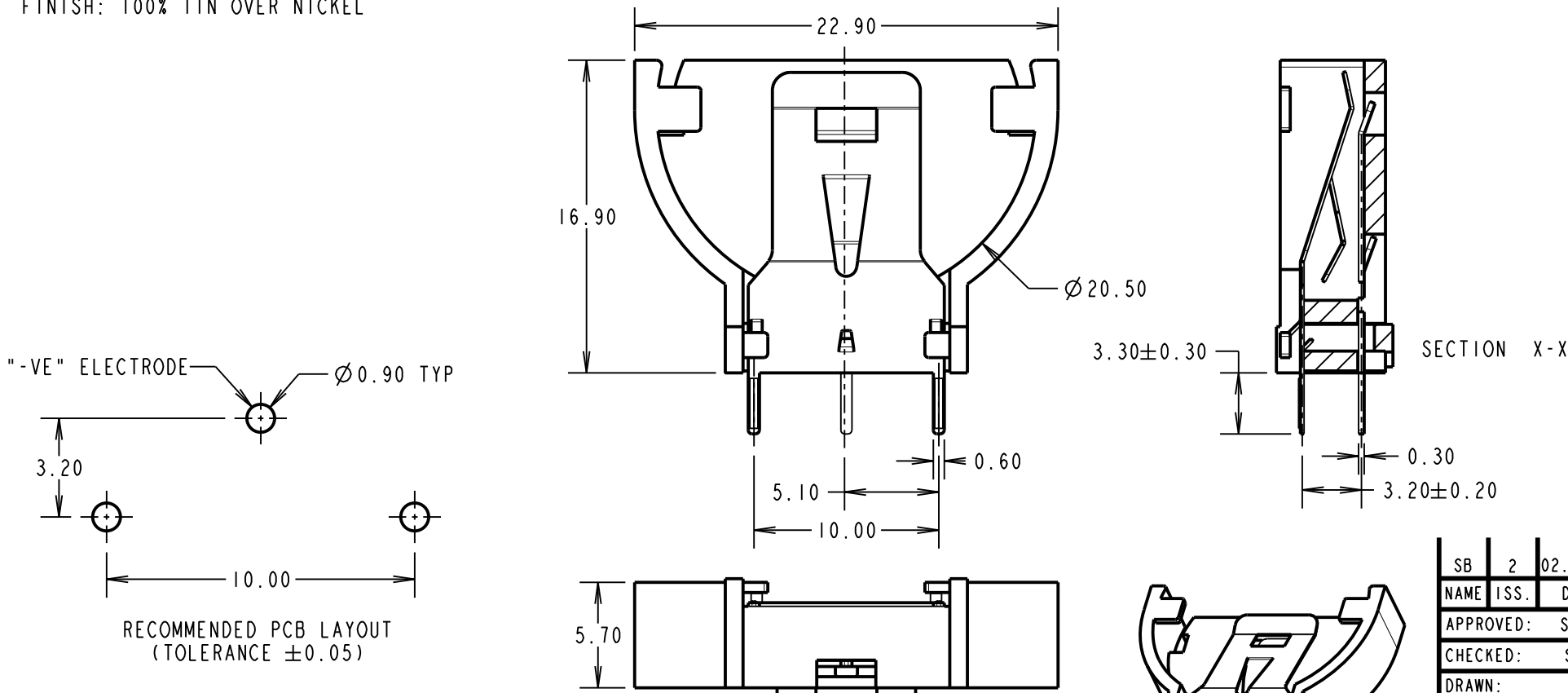
ALL DIMENSIONS IN mm

SPECIFICATIONS:

MOULDING: NYLON 46 G/F, UL94V-0, BLACK

CONTACT: PHOSPHOR BRONZE

FINISH: 100% TIN OVER NICKEL



SB	2	02.05.12	11723
NAME	ISS.	DATE	C/NOTE
APPROVED:		S. BENNETT	
CHECKED:		S. FLOWER	
DRAWN:		R. ADDE	
CUSTOMER REF.:			
ASSEMBLY DRG:			

NOTES:

- SUITABLE FOR THE FOLLOWING COIN CELLS CR2032 & BR2032.
- ALL TOLERANCES ARE ± 0.25 UNLESS OTHERWISE STATED.

HARWIN

www.harwin.com
 technical@harwin.com

THIS DRAWING AND ANY INFORMATION OR DESCRIPTIVE MATTER SET OUT HEREON ARE CONFIDENTIAL AND COPYRIGHT PROPERTY OF THE HARWIN GROUP AND MUST NOT BE DISCLOSED, LOANED, COPIED OR USED FOR MANUFACTURING, TENDERING OR FOR ANY OTHER PURPOSE WITHOUT THEIR WRITTEN PERMISSION.

TOLERANCES
~~X = ± 1 mm~~
~~X.X = ± 0.25 mm~~
~~X.XX = ± 0.10 mm~~
~~X.XXX = ± 0.01 mm~~
 ANGLES = $\pm 5^\circ$
 UNLESS STATED

MATERIAL:

SEE ABOVE

FINISH:

S/AREA:

mm²

TITLE:

VERTICAL THROUGH BOARD BATTERY HOLDER

DRAWING NUMBER:

S8401-46

SHT
 2
 OF
 2