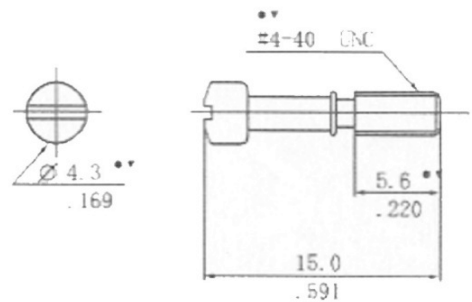
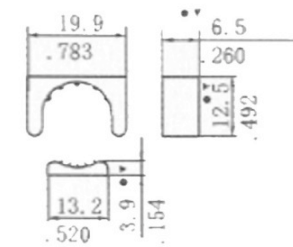
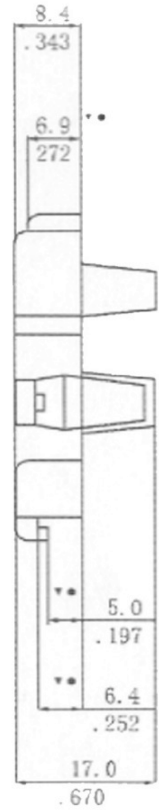
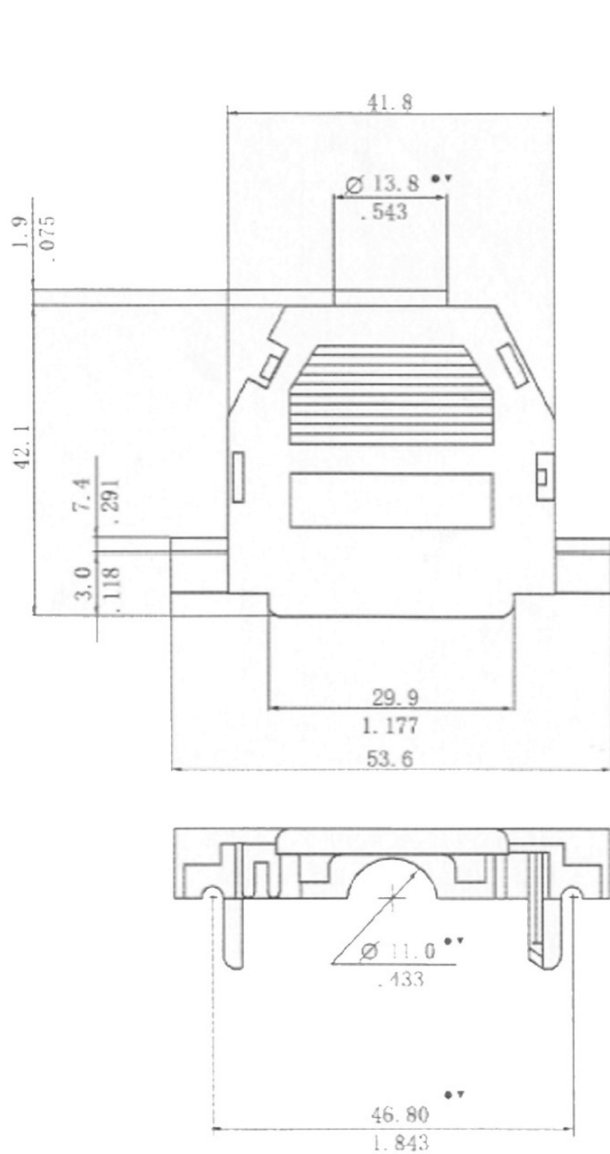


No.	Changes and/or Note No.	Date	Intr.	No.	Changes and/or Note No.	Date	Intr.



DATE 02/04/08	DRAWN AS	SCALE	MATERIAL TYPE	
P/N:2360-0101-03,9 WAYS,BK P/N:2360-0101-13,9 WAYS,LG	APPROVED		REPLACES	
			CCOV-25SN-LGREY CCOV-25SN-BLACK	
			DRAWING No	