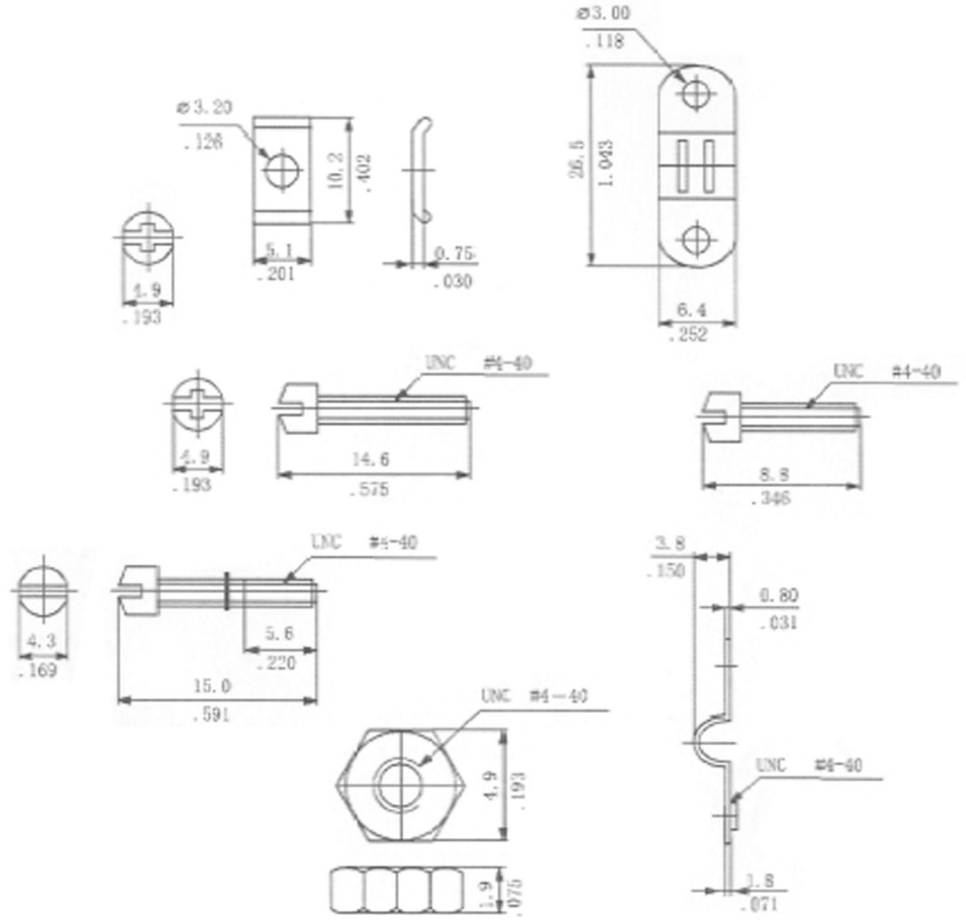
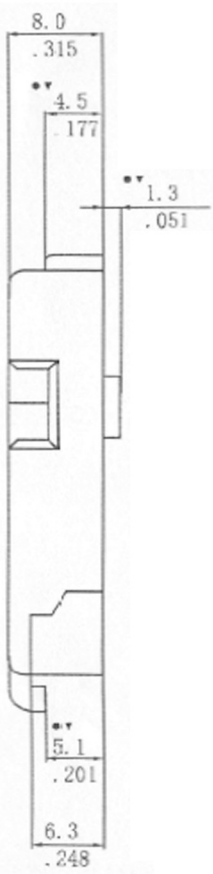
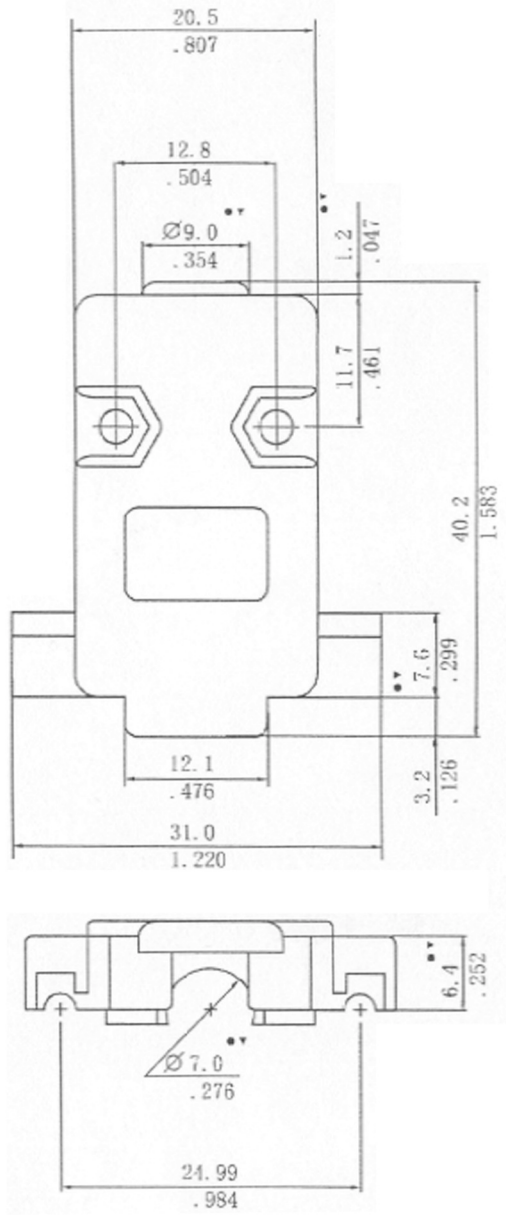


No.	Changes and/or Note No.	Date	Intr.	No.	Changes and/or Note No.	Date	Intr.



DATE	02/04/08	DRAWN	AS	SCALE	MATERIAL TYPE
P/N:2360-0102-01,9 WAYS,BK		APPROVED			REPLACES
P/N:2360-0102-11,9 WAYS,LG					
		CCOV-9-SC-BLACK			
		CCOV-9-SC-LGREY			
					DRAWING No