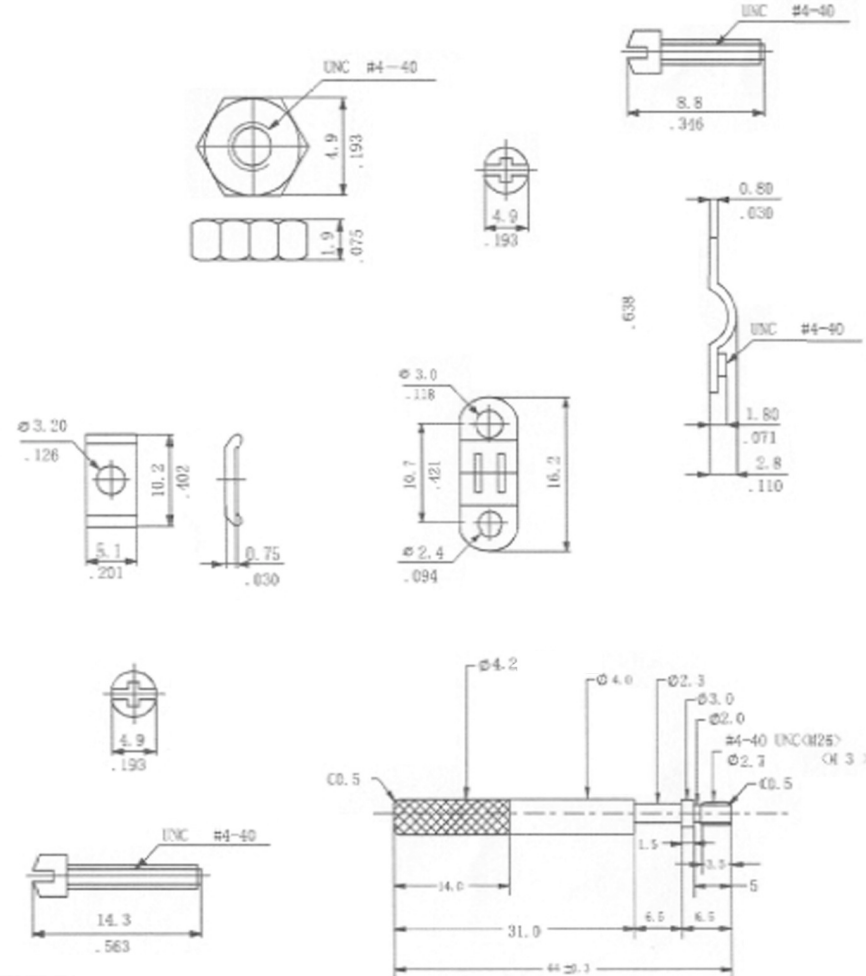
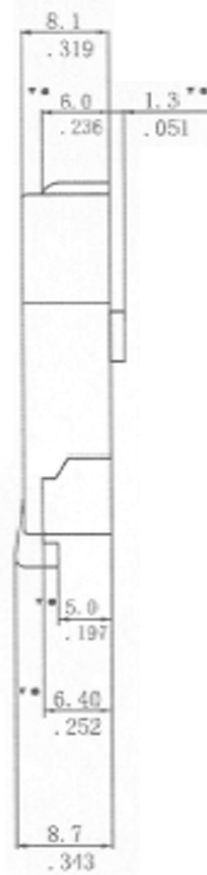


No.	Changes and/or Note No.	Date	Intr.	No.	Changes and/or Note No.	Date	Intr.



DATE 02/04/08	DRAWN AS	SCALE	MATERIAL TYPE
P/N:2360-0102-22,15WAYS,BK P/N:2360-0102-32,15WAYS,LG	APPROVED		REPLACES
CCOV-15-SCL-BLACK CCOV-15-SCL-LIGHT GREY			DRAWING No