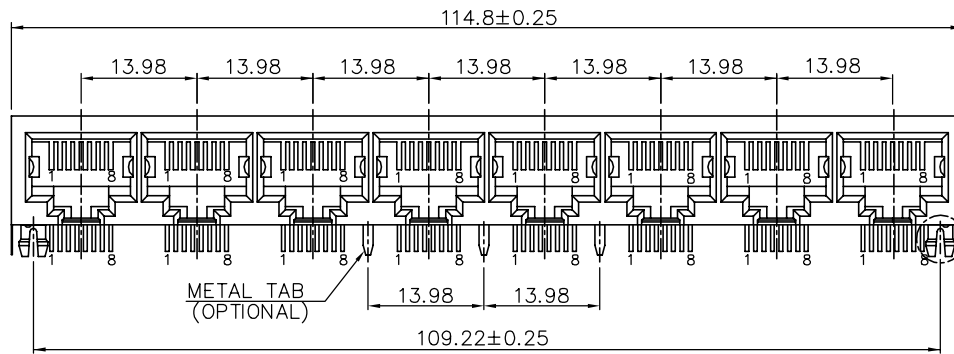
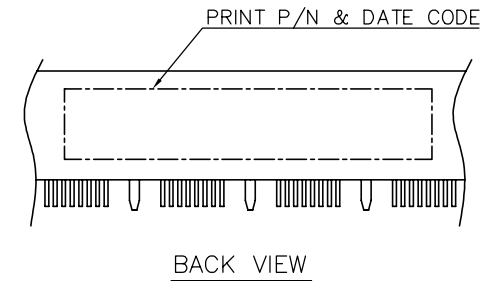
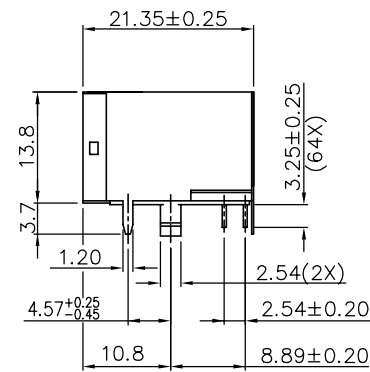


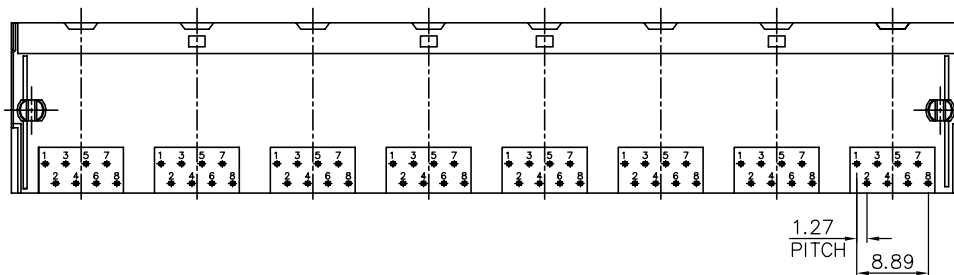
DETAIL X



DETAIL X



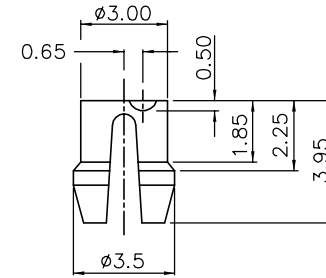
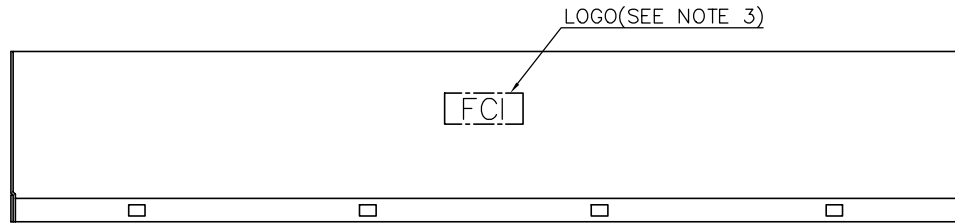
BACK VIEW



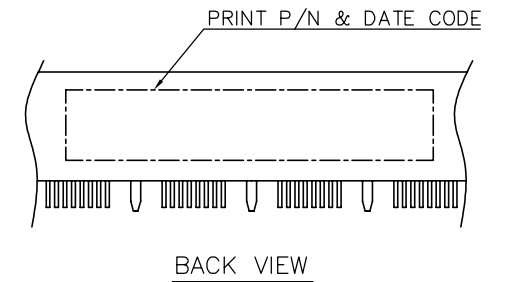
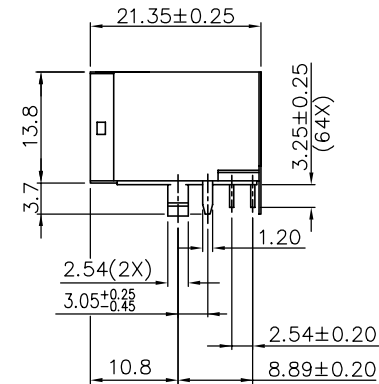
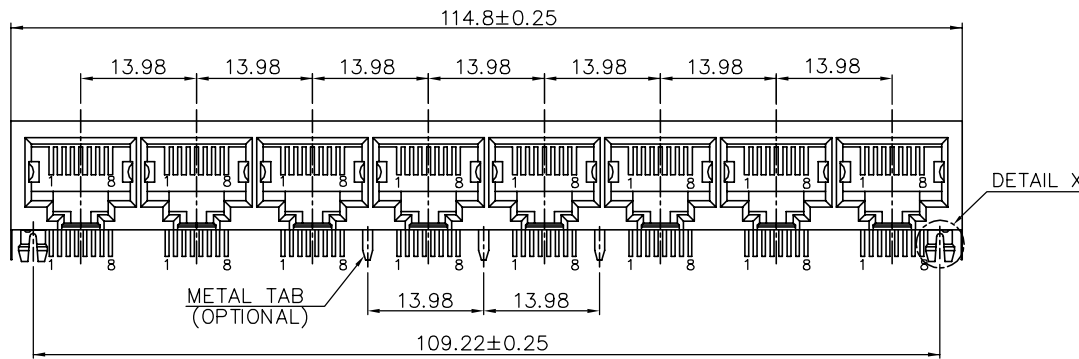
1.27  
PITCH  
8.89

mat'l. code		surface ASME Y14.5		tolerance ASME Y14.5		projection		product family	
ltr		ecn no		dr		date		GANGED MJACK	
A		WL		11/04/11		11/04/11		title	
				angles		X.X±0.25		CAT 3 MULTI-PORTS TAB DOWN	
				fil		X.XX±0.13		1x8 WITH SHIELD, W/O LED	
				X*±1*		X.XXX±0.05		scale	
				dr		WENDY CHEN 05/03/11		sheet 1 of 4	
				enr		WENDY CHEN 05/03/11		size	
				chr		WENDY CHEN 05/03/11		A4	
				appd		GARY HSIEH 05/03/11		type	
								CUSTOMER Drawing	
sheet index		revision sheet		A A		A A			
		1 2		3 4					

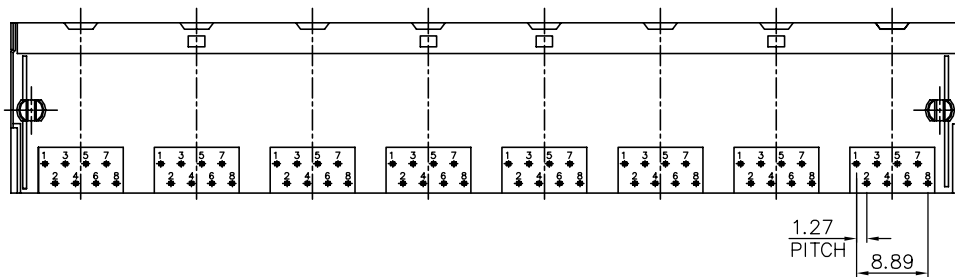




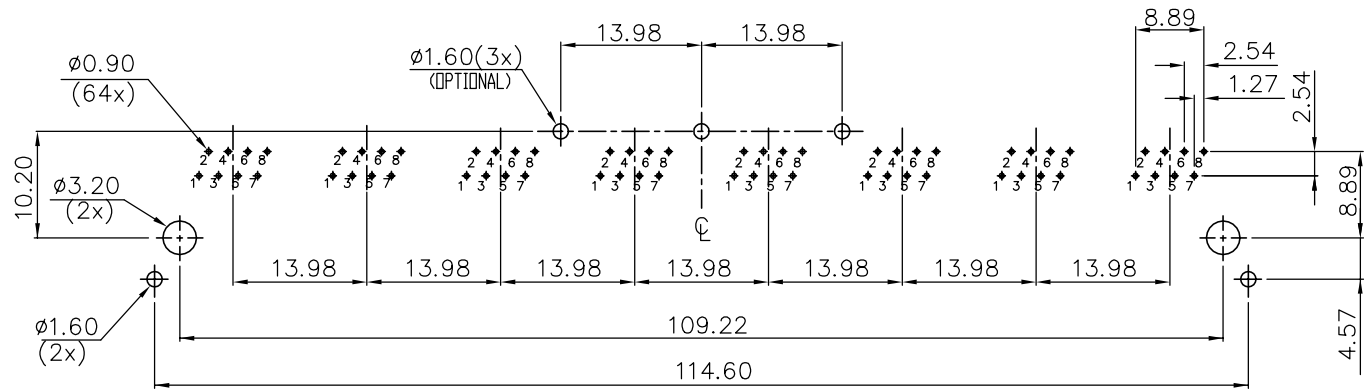
DETAIL X



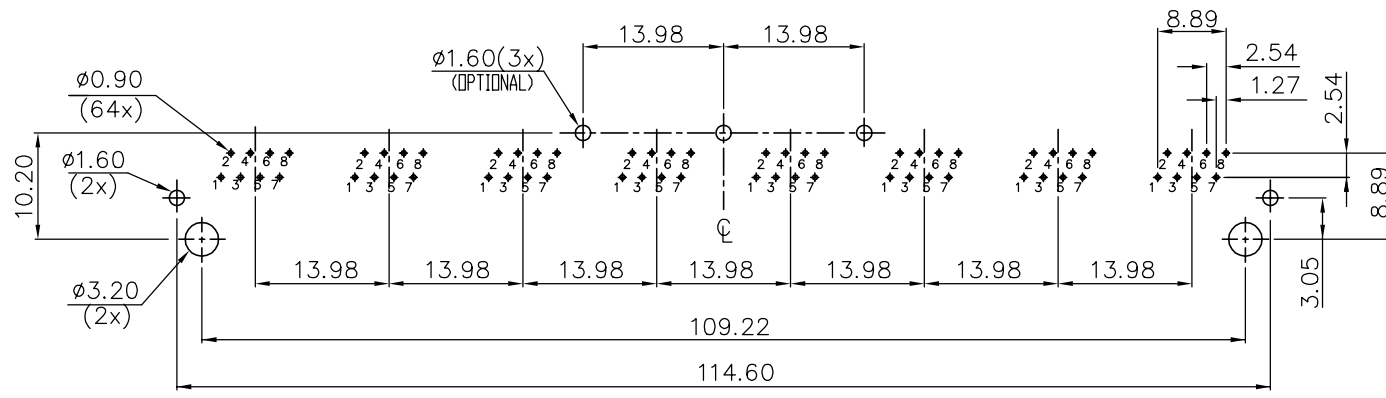
BACK VIEW



mat'l. code		surface ASME Y14.5	tolerance ASME Y14.5	projection MM [INCH]	product family GANGED MJACK	
ltr	ecn no	dr	date	tolerances unless otherwise specified		title CAT 3 MULTI-PORTS TAB DOWN 1x8 WITH SHIELD, W/O LED
A				angles X.X±0.25	scale	dwg no 10118064
				X*±1°		sheet 2 of 4
				dr WENDY CHEN 05/03/11		size A4
				enr WENDY CHEN 05/03/11		type CUSTOMER Drawing
				chr WENDY CHEN 05/03/11		
				appd GARY HSIEH 05/03/11		
sheet index	revision sheet					



RECOMMENDED PCB LAYOUT  
RECOMMENDED PCB THICKNESS: 1.6mm  
TOLERANCE: ±0.05 (TOP VIEW)



RECOMMENDED PCB LAYOUT  
RECOMMENDED PCB THICKNESS: 1.6mm  
TOLERANCE: ±0.05 (TOP VIEW)

mat'l. code		surface ASME Y14.5 ✓	tolerance ASME Y14.5	projection [Symbol]	product family GANGED MJACK
ltr	ecn no	dr	date	tolerances unless otherwise specified	title CAT 3 MULTI-PORTS TAB DOWN 1x8 WITH SHIELD, W/O LED
A				angles X.X±0.25 X.XX±0.13 X*±1* X.XXX±0.05	
				scale MM [INCH]	dwg no 10118064 sheet 3 of 4 size A4
				dr WENDY CHEN 05/03/11 enr WENDY CHEN 05/03/11 chr WENDY CHEN 05/03/11 appd GARY HSIEH 05/03/11	
sheet index	revision sheet				type CUSTOMER Drawing

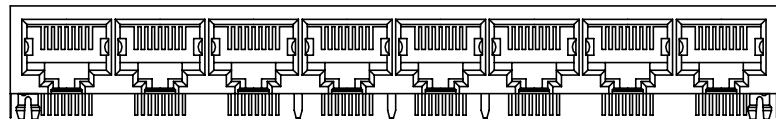
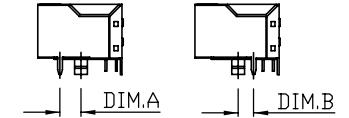
NOTE:

1. MATERIAL:  
HOUSING: HIGH TEMPERATURE THERMOPLASTIC, UL94V-0  
COLOR: BLACK.  
CONTACTS: COPPER ALLOY.  
SHIELD: COPPER ALLOY.
2. FINISH:  
CONTACTS: 50u" MIN. NICKEL UNDER PLATED OVER ALL.  
SELECTIVE GOLD PLATED ON CONTACT AREA,  
1u" GOLD PLATED ON SOLDER TAIL.  
SHIELD: 20u" MIN. NICKEL OVER ALL.
3. LASER MARK FCI LOGO ON THE TOP OF SHIELD.
4. "DATE CODE" DESCRIPTION:  

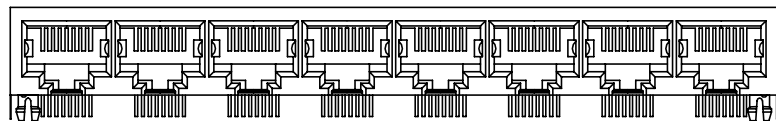
XX	XX	
		WEEK
		YEAR (EX. : 10--2010)
5. PRODUCT PERFORMANCE PER SPEC. : GS-12-0990.
6. PACKING SPEC. : GS-14-2170.
7. THIS PRODUCT MEETS THE EUROPEAN UNION DIRECTIVE AS DESCRIBED IN GS-22-008.
8. THE HOUSING WILL WITHSTAND EXPOSURE TO 260°C PEAK TEMPERATURE FOR 5 SECONDS IN A WAVE SOLDER APPLICATION WITH A CIRCUIT BOARD.

9. PART NUMBER DESCRIPTION:

- 10118064-X X X X X X X LF
- X : LEAD FREE
  - 0 : RESERVED (NOT USED)
  - PACKAGING
  - 1 : TRAY
  - OPTIONAL BACK SHIELD TAB
  - 0 : WITHOUT BACK SHIELD TAB
  - 3 : WITH 3 BACK SHIELD TABS
  - OPTIONAL RIGHT / LEFT SHIELD TAB
  - 1 : DIM.A=4.57
  - 5 : DIM.B=3.05
  - OPTIONAL PANEL GROUND
  - 0 : WITHOUT PANEL GROUND
  - LED COLOR
  - 0 : WITHOUT LED
  - CONTACT AREA PLATING
  - 1 : 15u" GOLD PLATING
  - 2 : 30u" GOLD PLATING
  - 5 : 1u" GOLD FLASH PLATING



10118064-XXXX3XXLF  
WITH 3 BACK SHIELD TABS



10118064-XXXX0XXLF  
WITHOUT BACK SHIELD TAB

mat'l. code		surface ASME Y14.5 ✓	tolerance ASME Y14.5	projection ⊕	product family GANGED MJACK	
ltr	ecn no	dr	date	tolerances unless otherwise specified		title
A				angles X.X±0.25	MM [INCH]	CAT 3 MULTI-PORTS TAB DOWN 1x8 WITH SHIELD, W/O LED
				X.XX±0.13	scale	
				X*±1*	X.XXX±0.05	dwg no
				dr	WENDY CHEN 05/03/11	sheet 4 of 4
				enr	WENDY CHEN 05/03/11	size
				chr	WENDY CHEN 05/03/11	10118064
				appd	GARY HSIEH 05/03/11	A4
sheet index		revision sheet		FCI		type
						CUSTOMER Drawing