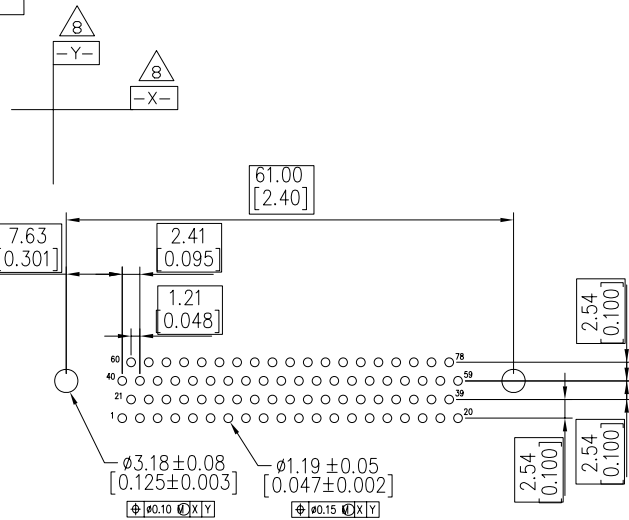
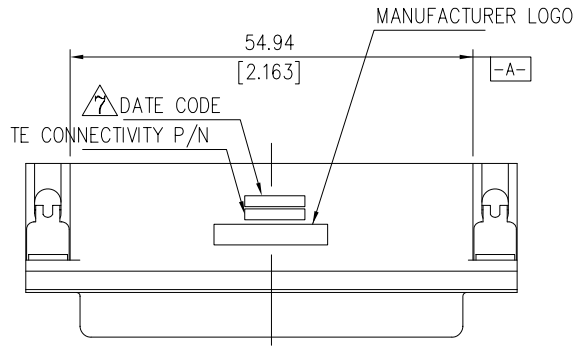


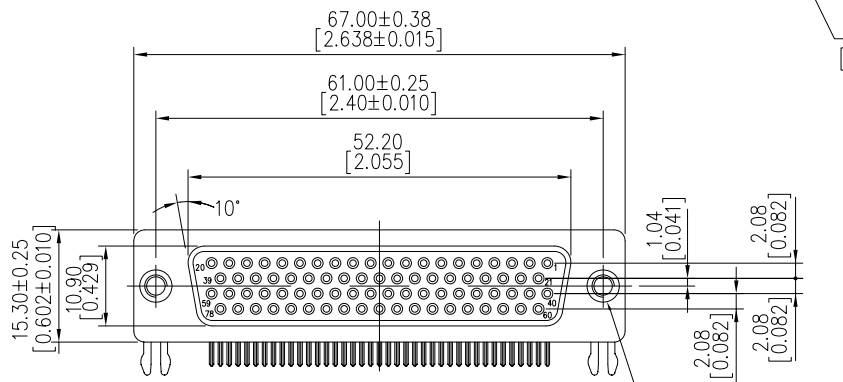
| LOC |    | DIST |     | REVISIONS               |         |     |      |  |
|-----|----|------|-----|-------------------------|---------|-----|------|--|
| GP  | 00 | P    | LTR | DESCRIPTION             | DATE    | DWN | APVD |  |
|     |    | B2   |     | REVISED (ECR-11-014294) | 09AUG11 | JL  | WK   |  |



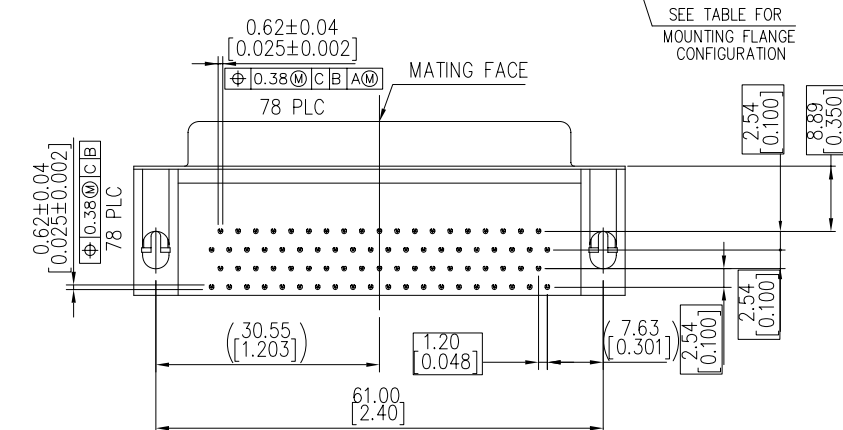
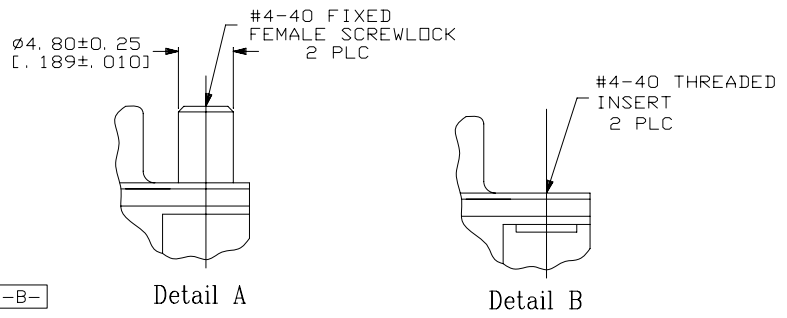
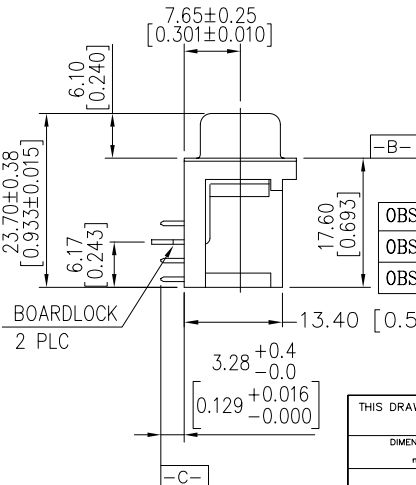
- HOUSING MATERIAL: PBT, GLASS FILLED, BLACK, UL 94V-0 RATED.
- CONTACT MATERIAL: PHOSPHOR BRONZE.
- CONTACT FINISH: GOLD PLATE IN MATING AREA (SEE TABLE), 120µ" MIN TIN PLATE ON SOLDER TAIL, BOTH OVER 50µ" MIN NICKEL UNDERPLATE.
- SHELL: STEEL, NICKEL PLATE.
- BOARDLOCK: BRASS, 100µ" MIN TIN PLATE.
- FEMALE SCREWLOCKS/ THREADED INSERTS: BRASS, NICKEL PLATE.

FOUR DIGIT DATE CODE IN THIS FORMAT.  
 Year 01 45 Manufacturing Week

DATUMS  $\ominus$ -X- &  $\ominus$ -Y- TO BE ESTABLISHED BY CUSTOMER.



RECOMMENDED PCB LAYOUT



| Part     | Material | Configuration | Finish     | Part NO.    |
|----------|----------|---------------|------------|-------------|
| OBSELETE | Tray     | Detail A      | 15µ" MIN   | 2-5748483-2 |
| OBSELETE | Tray     | Detail B      | Gold flash | 2-5748483-1 |
| OBSELETE | Tray     | Detail B      | 15µ" MIN   | 2-5748483-0 |
|          | Tray     | Detail A      | 30µ" MIN   | 5748483-6   |
|          | Tray     | Detail B      | 30µ" MIN   | 5748483-5   |

5748483-5, 2--0, & 2--1 SHOWN

THIS DRAWING IS A CONTROLLED DOCUMENT.

|                |  |                          |  |
|----------------|--|--------------------------|--|
| DIMENSIONS: mm | TOLERANCES UNLESS OTHERWISE SPECIFIED: | DWN E. MCMASTER 21SEP05  | TE Connectivity<br>AMPLIMITE HD-22<br>78 POS RECEPTACLE, RIGHT ANGLE |
| 0 PLC ±        | 1 PLC ± 0.30                           | CHK S. ROLASH 21SEP05    |  |
| 2 PLC ± 0.20   | 3 PLC ± 0.10                           | APVD M. WALMSLEY 21SEP05 |  |
| 4 PLC ±        | ANGLES ± 2°                            | PRODUCT SPEC             |  |
| MATERIAL       | FINISH                                 | APPLICATION SPEC         |  |

|                  |                 |                       |                     |
|------------------|-----------------|-----------------------|---------------------|
| SIZE A2          | CAGE CODE 00779 | DRAWING NO. C=5748483 | RESTRICTED TO       |
| CUSTOMER DRAWING |                 | SCALE 4:1             | SHEET 1 of 1 REV B2 |