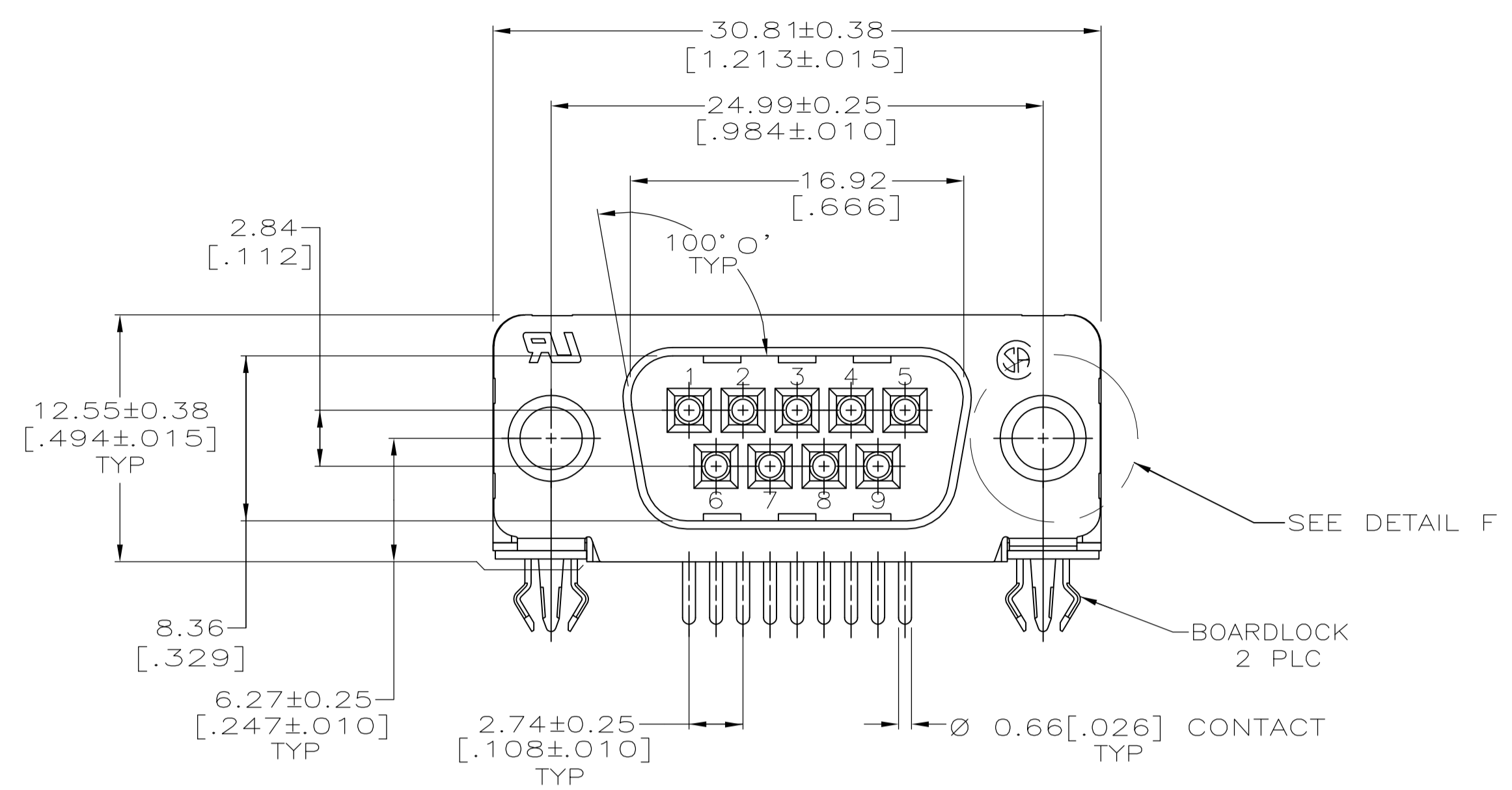
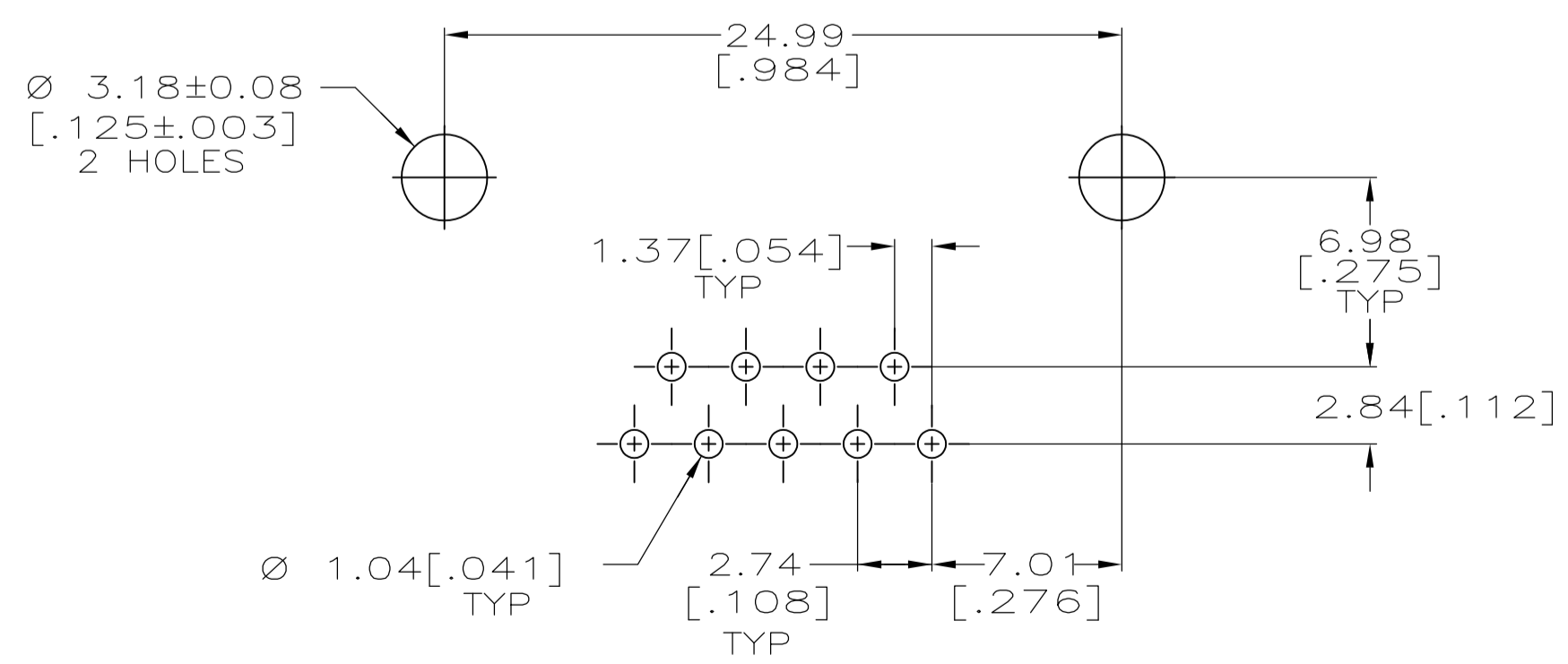
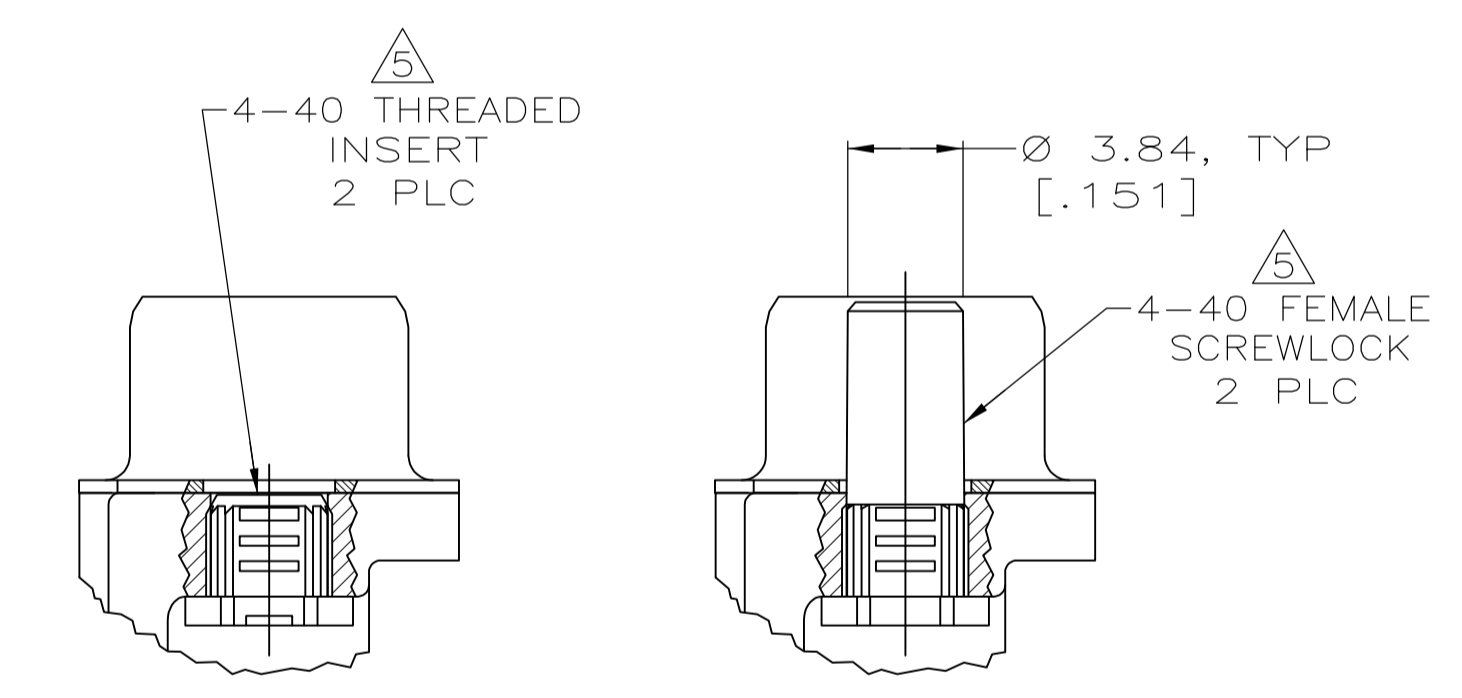
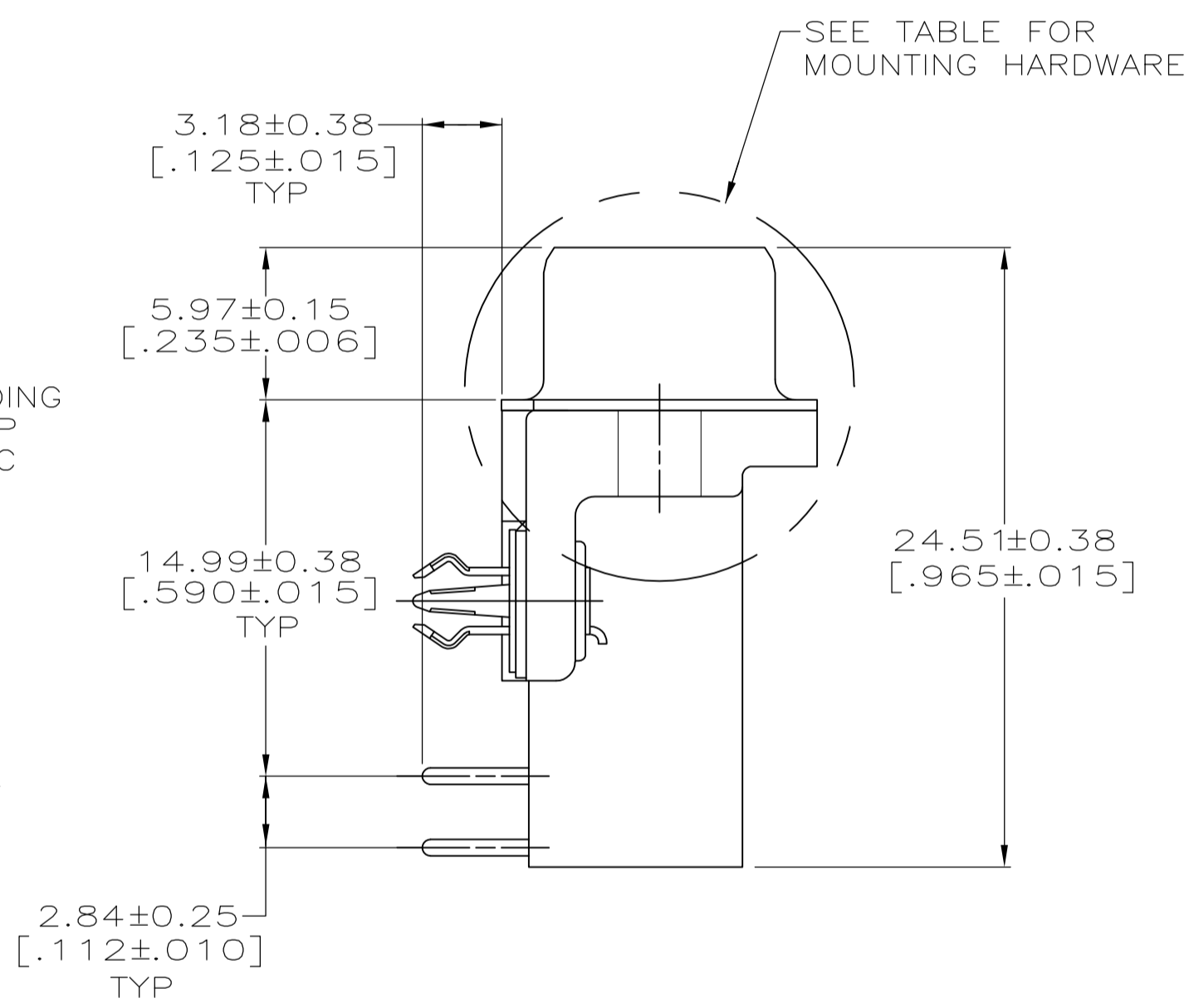
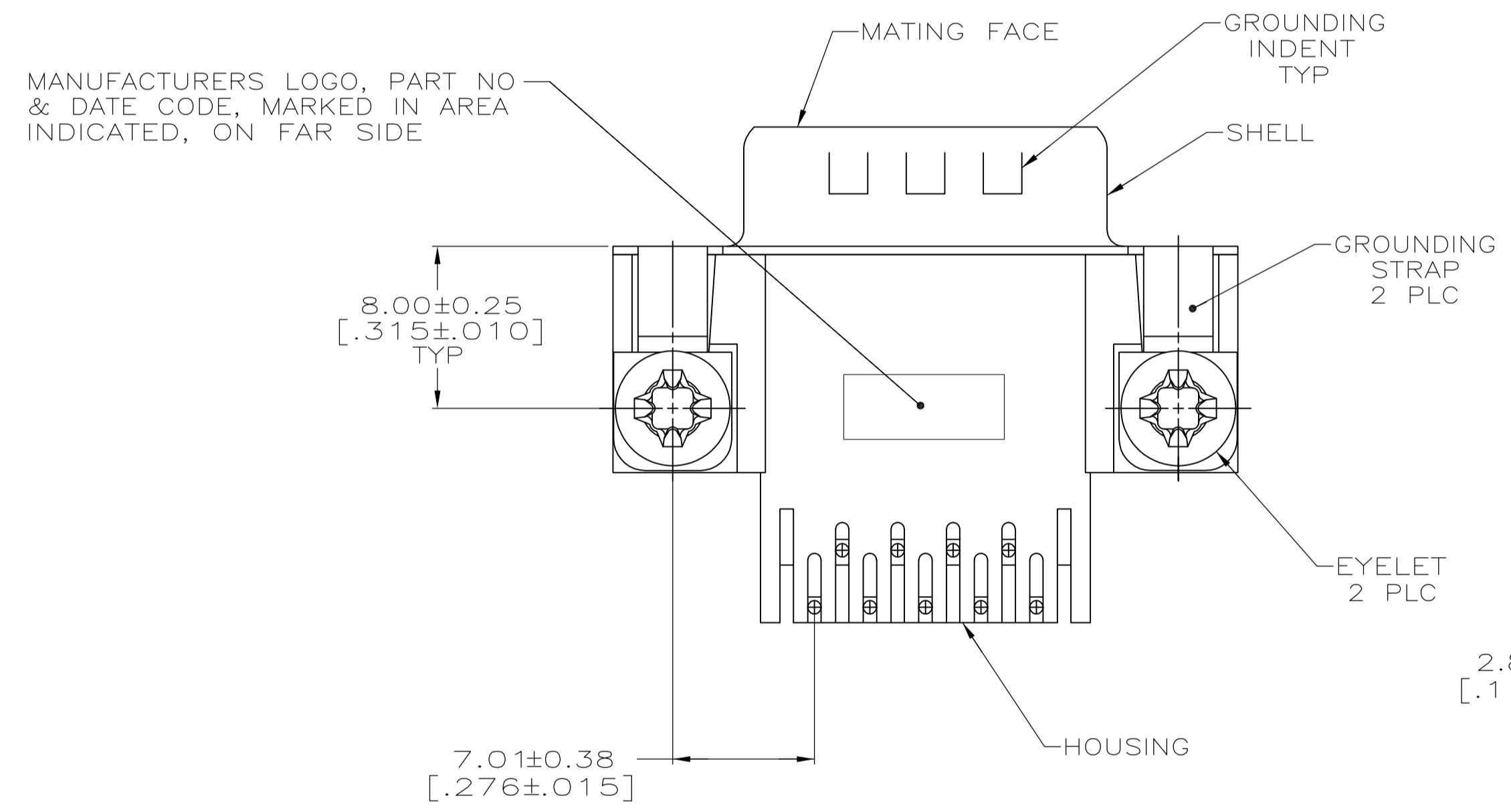


FOR -6 ONLY

DETAIL F
2 PLC



- △ HOUSING: NYLON OR POLYESTER, FLAME RETARDANT, UL 94V-0 RATED, GLASS FILLED, BLACK.
CONTACTS: BRASS.
SHELL: CARBON STEEL.
EYELETS: BRASS.
BOARDLOCKS: COPPER ALLOY.
SCREWLOCKS: ZINC.
INSERTS: ZINC.
- △ CONTACTS: SEE TABLE
SHELL: 2.54µm [.000100] MIN TIN OVER 1.27µm [.000050] MIN COPPER.
EYELETS: 5.08µm [.000200] MIN TIN OVER COPPER FLASH.
BOARDLOCKS: 5.08µm [.000200] MIN TIN OVER 1.27µm [.000050] MIN NICKEL.
SCREWLOCKS: CLEAR CHROMATE.
INSERTS: CLEAR CHROMATE.
- △ GOLD FLASH ON THE MATING SURFACES, 2.54µm [.000100] MIN TIN PLATE ON THE SOLDER END, 1.27µm [.000050] MIN NICKEL UNDERPLATE ON THE ENTIRE CONTACT.
- △ 0.76µm [.000030] MIN GOLD PLATE ON THE MATING SURFACES, 2.54µm [.000100] MIN TIN PLATE ON THE SOLDER END, 1.27µm [.000050] MIN NICKEL UNDERPLATE ON THE ENTIRE CONTACT
-OR-
GOLD FLASH OVER PALLADIUM-NICKEL PLATE, 0.76µm [.000030] MIN TOTAL ON THE MATING SURFACES, 2.54µm [.000100] MIN TIN PLATE ON THE SOLDER END, 1.27µm [.000050] MIN NICKEL UNDERPLATE ON THE ENTIRE CONTACT.
- △ SCREWLOCKS & INSERTS WILL WITHSTAND 4 IN LBS TORQUE & 20 LBS PULL OUT FORCE FROM MATING FACE SIDE.
- △ OBSOLETE PARTS: OBSOLETE CIS STREAMLINING PER D.RENAUD/D.SINISI



P.C. BOARD MOUNTING DIMENSIONS
P.C. BOARD THICKNESS: 1.57[.062]

SEE DETAIL E	△4	5747832-6
SEE DETAIL D	△4	5747832-4
SEE DETAIL D	△3	5747832-3
MOUNTING HARDWARE		PART NUMBER
CONTACT FINISH		

**COPYRIGHT 2005
TYCO ELECTRONICS CORP
ALL RIGHTS RESERVED**

THIS DRAWING IS A CONTROLLED DOCUMENT.		DIN	G. ATTADIA - 04-08-05	TE Connectivity	
DIMENSIONS: mm [INCHES]		CWK	S. BOLASH 04-08-05	APVD M. WALMSLEY 04-08-05	
TOLERANCES UNLESS OTHERWISE SPECIFIED:		NAME			
0 PLC	± -	PRODUCT SPEC			
1 PLC	± -	108-40025			
2 PLC	± 0.13[.005]	APPLICATION SPEC			
3 PLC	± -	SIZE			
4 PLC	± -	114-40010			
ANGLES	± ° ' "	CAGE CODE DRAWING NO			
MATERIAL	△1	A1 00779			
FINISH	△2	SCALE 4:1 SHEET 1 OF 1 REV B			
CUSTOMER DRAWING		RESTRICTED TO			