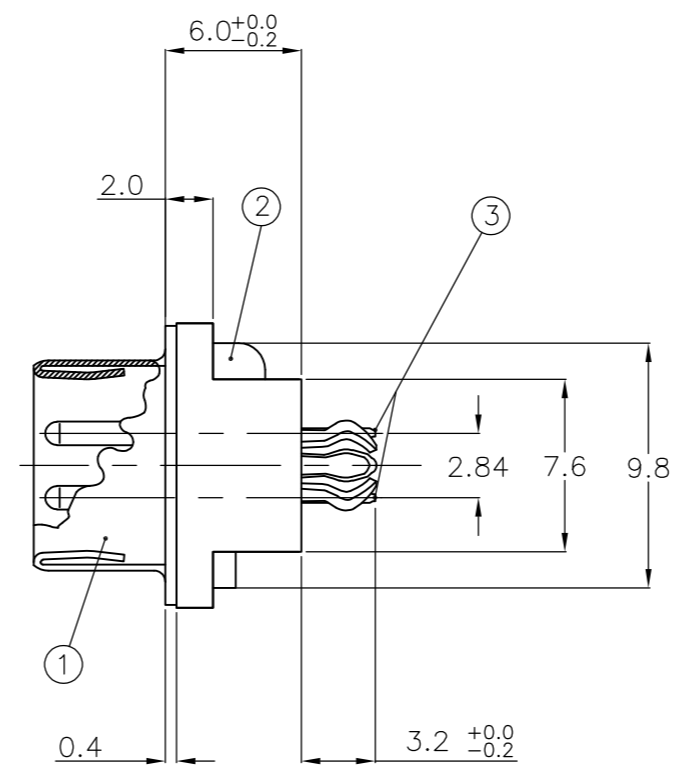
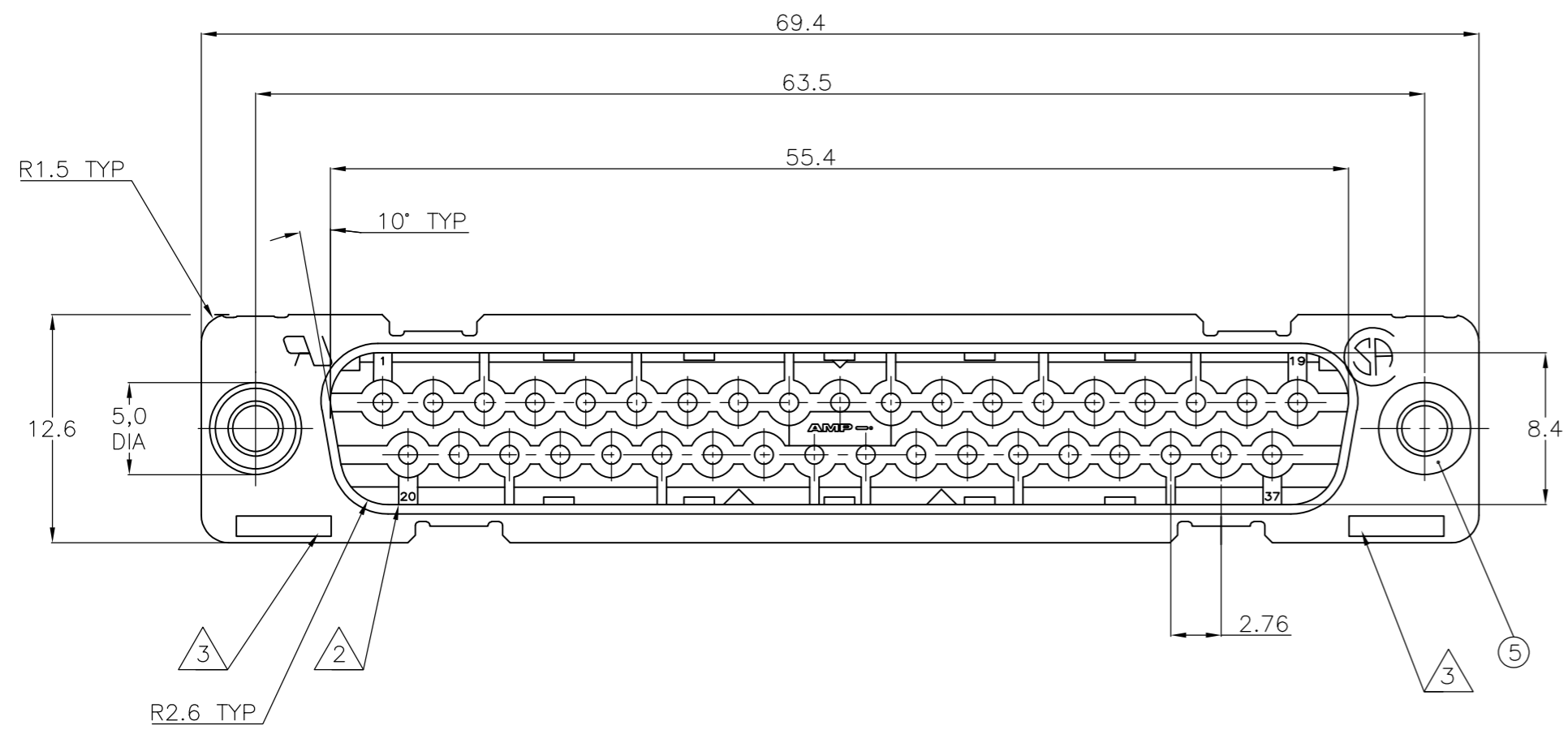
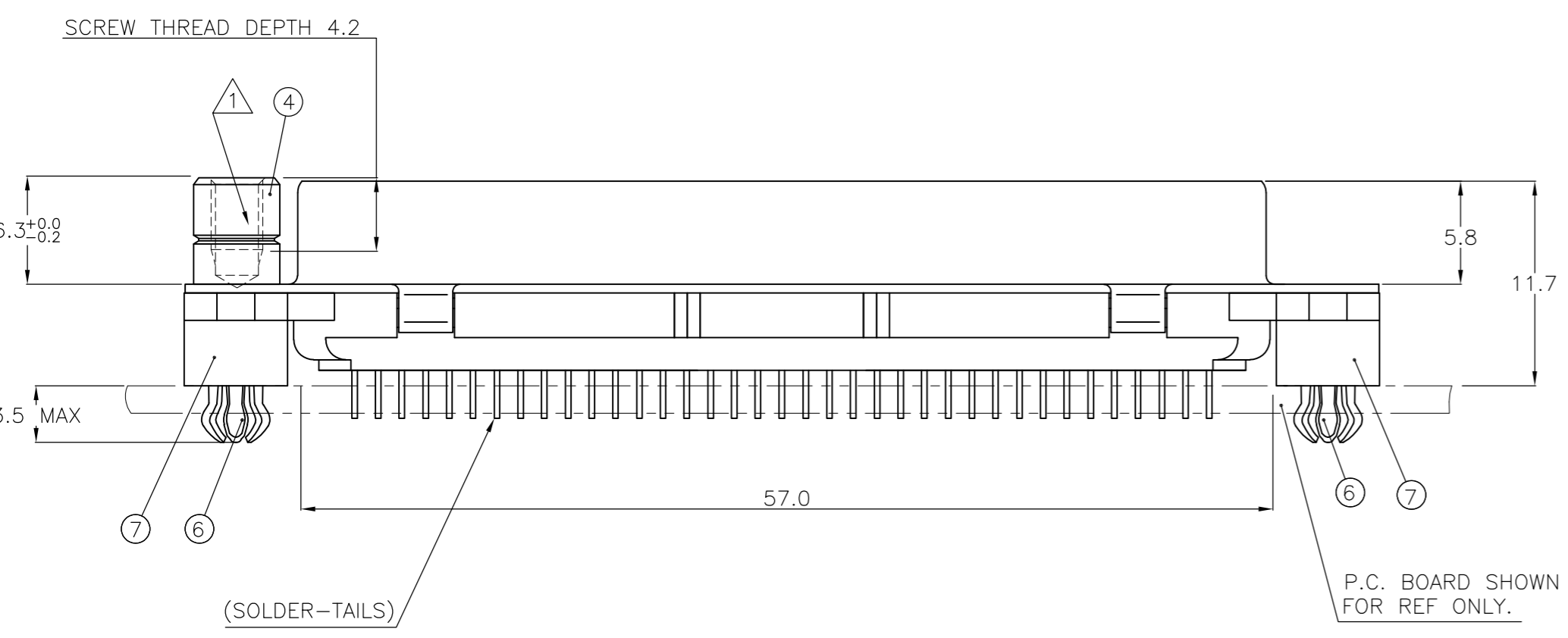


THIS DRAWING IS UNPUBLISHED. RELEASED FOR PUBLICATION
 © COPYRIGHT - By - ALL RIGHTS RESERVED.

LOC	DIST	REVISIONS			
P	LTR	DESCRIPTION	DATE	DWN	APVD
GP	00	REVISED PER ECO-12-009966	22JUN2012	CJV	SLB

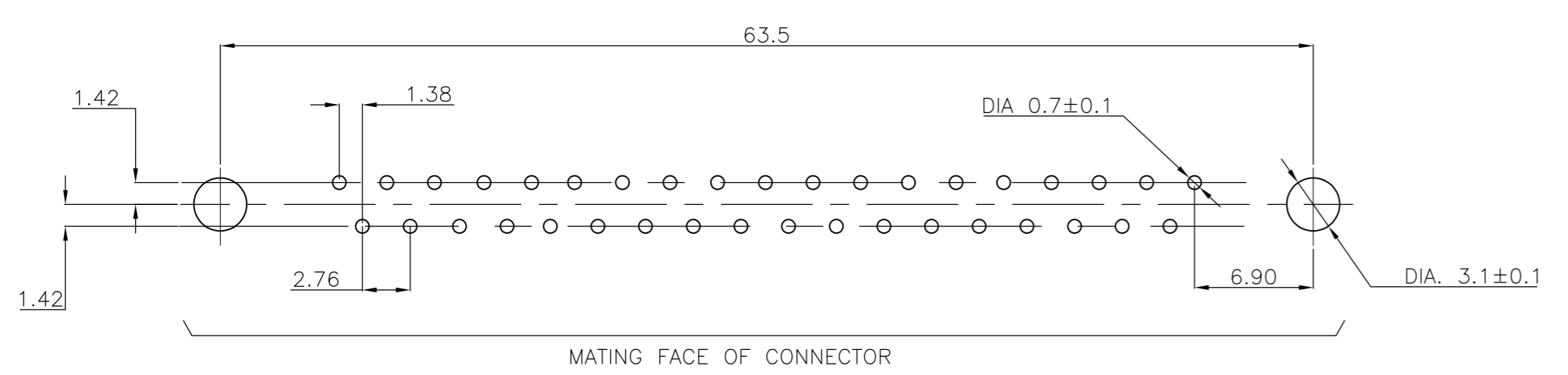


ACCESSORIES	ITEM NO	DESCRIPTION OF ACCESSORY	1	2	3	4	5	6	7	8	9
5	BUSHING WITH THROUGH HOLE ϕ 3.1.										
5	BUSHING WITH THREAD 4-40 UNC		2						2		
5	BUSHING WITH THREAD M3			2						2	
4	FEMALE SCREWLOCK WITH THREAD 4-40 UNC				2						2
4	FEMALE SCREWLOCK WITH THREAD M3					2					2
6	BOARDLOCK		2	2	2	2					



- ① GROOVE INDICATES VERSION WITH 4-40 UNC INNER THREAD; WITHOUT GROOVE INDICATES VERSION WITH M3 INNER THREAD.
- ② CAVITY IDENTIFICATION AT FRONT SIDE ONLY.
- ③ PART NUMBER AND DATE CODE.
- 4 WHEN BOARDLOCKS ARE USED, CONNECTOR CAN BE USED FOR PCB THICKNESS OF 1.6 ONLY.
- 5 SHELL HAS 2x12 GROUNDING SPRINGS; PITCH IS 3.6.
- 6 AIR AND CREEPAGE DISTANCES ACCORDING TO DIN 41652.
- 7 CONTACT FINISH: GOLD FLASH OVER PALLADIUM-NICKEL PLATE OR GOLD PLATE ON THE MATING SURFACES, TIN PLATE ON THE SOLDER-TAILS, NICKEL UNDERPLATE ON THE ENTIRE CONTACT. MATING SURFACE FINISH MEETS LEVEL 2 PER DIN 41652.

RECOMMENDED P.C. BOARD HOLE-LAYOUT



ITEM NO/MATERIAL :

① SHELL	: BRIGHT TIN PLATED STEEL
② HOUSING	: GLASS FILLED POLYESTER, COLOR : BLACK
③ CONTACTS	: PHOSPHOR BRONZE (PLATING : SEE NOTES)
④ FEMALE SCREWLOCK	: TIN PLATED STEEL (INNER THREAD 4-40 UNC OR M3)
⑤ BUSHING	: TIN PLATED STEEL (INNER THREAD 4-40 UNC OR M3 OR ϕ 3.1 THROUGH HOLE)
⑥ BOARDLOCK	: TIN PLATED PHOSPHOR BRONZE
⑦ STAND-OFF	: GLASS FILLED NYLON COLOR : BLACK

THIS DRAWING IS A CONTROLLED DOCUMENT. DIMENSIONING AND TOLERANCING PER ASME Y14.5M-2009		DWN J.V.LIEMPT 03JUL97		
DIMENSIONS: mm		CHK C.SOUISA 09SEP97		
TOLERANCES UNLESS OTHERWISE SPECIFIED:		APVD E.LEIJTENS 09SEP97	NAME	
0 PLC ± -	1 PLC ± 0.3	HDP-20 SIZE 4 VERTICAL+ PLUG HEADER; WITH SOLDER CONTACTS		
2 PLC ± 0.15	3 PLC ± -	SIZE CAGE CODE DRAWING NO RESTRICTED TO		
4 PLC ± -	ANGLES ± -	A2 00779 C=338312		
MATERIAL FINISH	WEIGHT	CUSTOMER DRAWING SCALE NTS SHEET 1 OF 1 REV G		