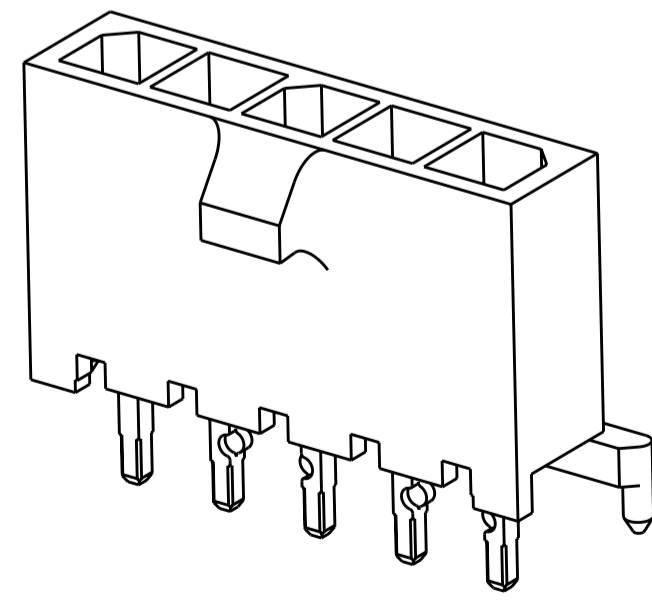
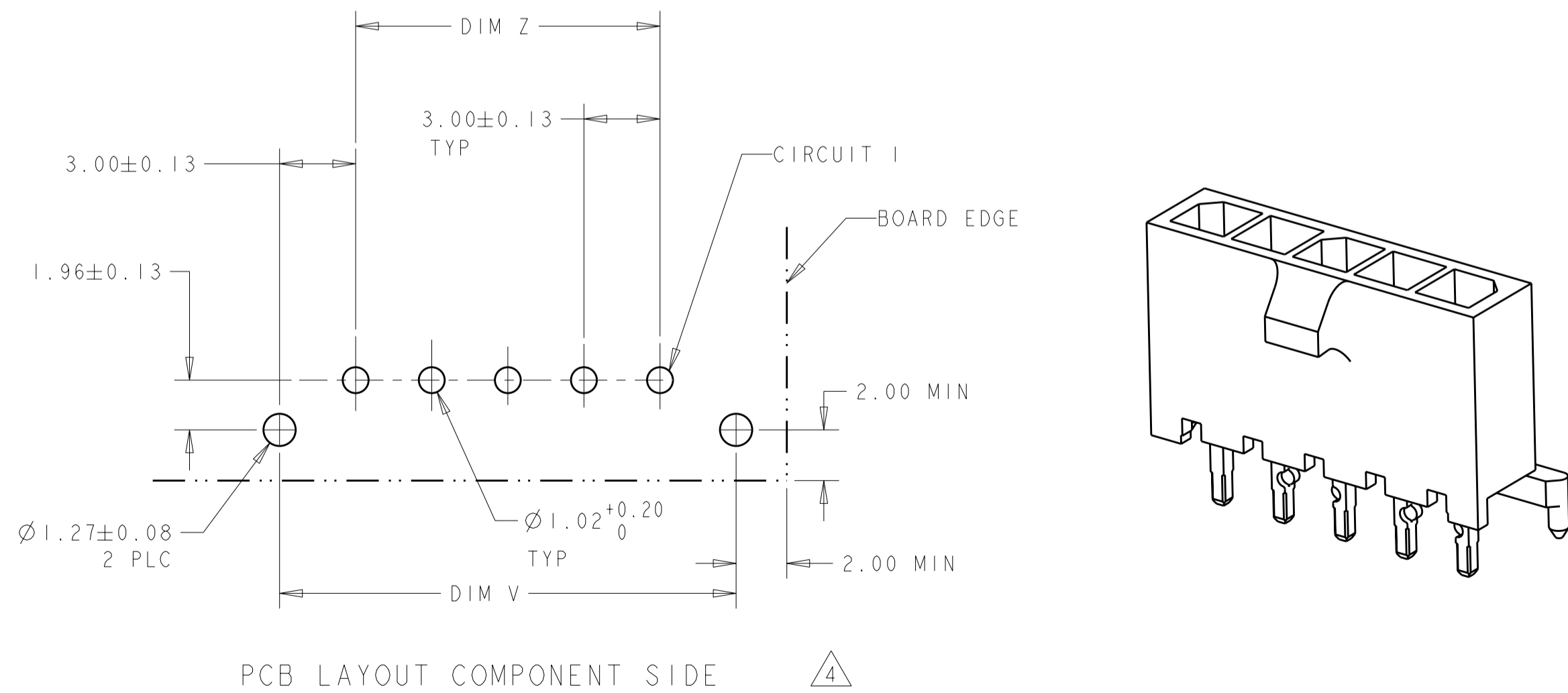
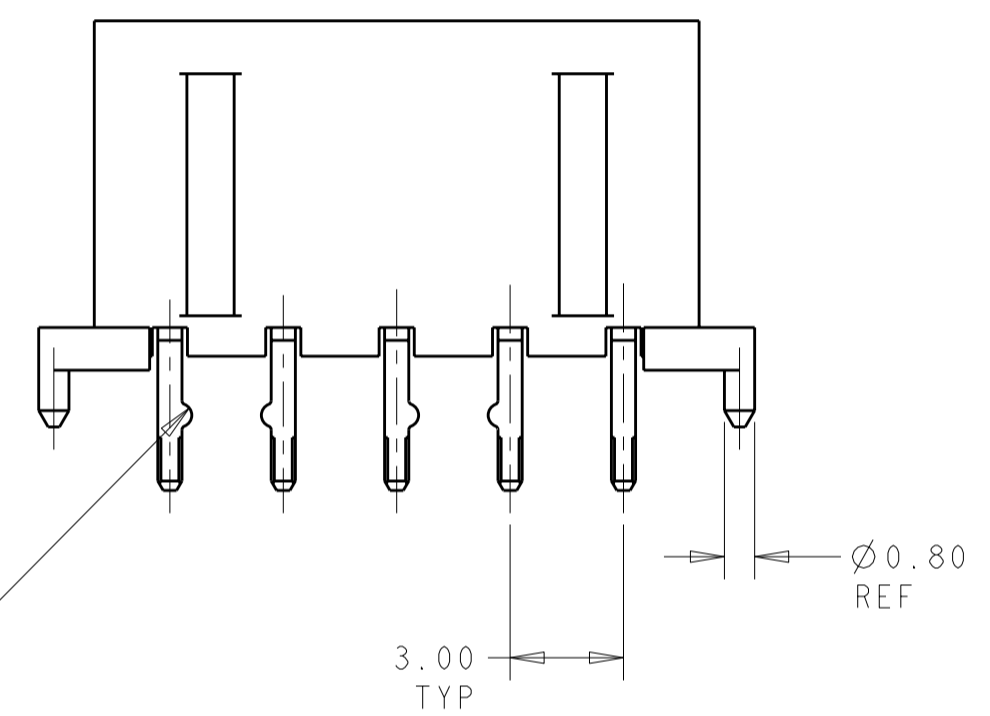
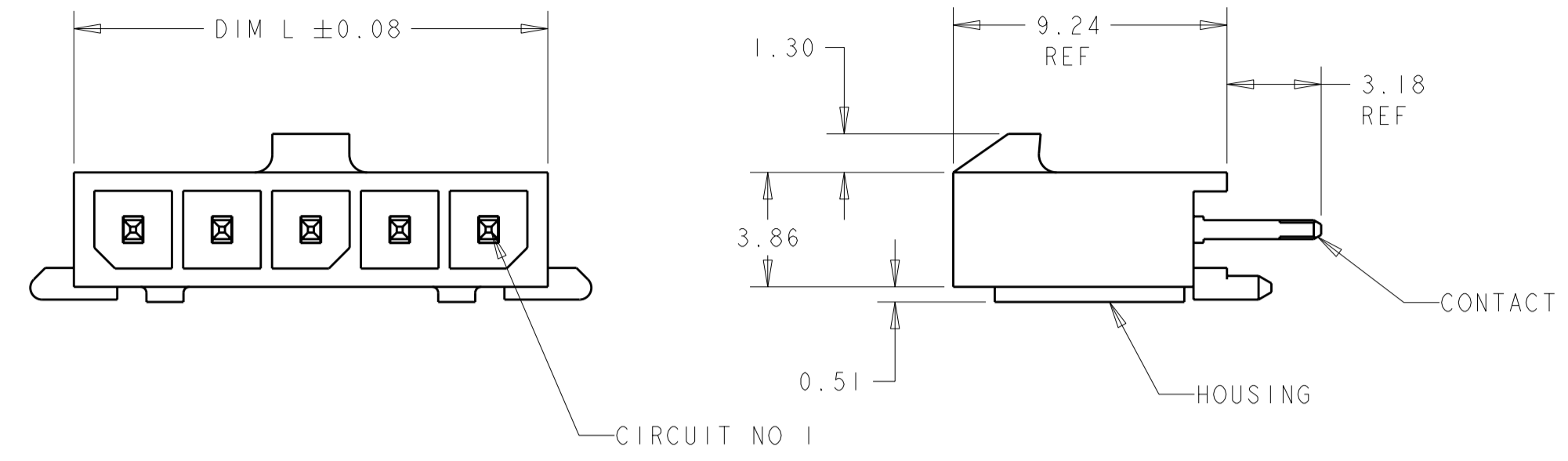


THIS DRAWING IS UNPUBLISHED. RELEASED FOR PUBLICATION 20
 © COPYRIGHT 20 BY - ALL RIGHTS RESERVED.

LOC	DIST	REVISIONS			
P	LTR	DESCRIPTION	DATE	DWN	APVD
CM	00	B1	REVISED PER ECR-12-007353	18MAY2012	KH TM



- 1 MATERIAL: CONTACTS - BRASS
HOUSING - UL 94V-0 RATED HIGH TEMP NYLON, COLOR BLACK.
- 2 PLATING: CONTACTS - 0.38µm MINIMUM GOLD ON MATING END,
2.54µm MINIMUM TIN LEAD ON SOLDER TAILS, BOTH OVER
1.27µm MINIMUM NICKEL.
- 4 RECOMMENDED PC BOARD THICKNESS OF 1.57.
- 5 RETENTION BUMP FEATURES FACE EACH OTHER, TYPICAL
ALL CONFIGURATIONS.
- 6 PLATING: CONTACTS - 0.38µm MINIMUM GOLD ON MATING END,
2.54µm MINIMUM MATTE TIN ON SOLDER TAILS, BOTH OVER
1.27µm MINIMUM NICKEL.

6	1, 2, 11, 12	33.00	39.14	37.00	12	3-1445084-2
6	1, 2, 9, 10	30.00	36.14	34.00	11	3-1445084-1
6	1, 2, 9, 10	27.00	33.14	31.00	10	3-1445084-0
6	1, 2, 7, 8	24.00	30.14	28.00	9	2-1445084-9
6	1, 2, 7, 8	21.00	27.14	25.00	8	2-1445084-8
6	1, 2, 5, 6	18.00	24.14	22.00	7	2-1445084-7
6	1, 2, 5, 6	15.00	21.14	19.00	6	2-1445084-6
6	1, 2, 3, 4	12.00	18.14	16.00	5	2-1445084-5
6	1, 2, 3, 4	9.00	15.14	13.00	4	2-1445084-4
6	1, 2	6.00	12.14	10.00	3	2-1445084-3
6	1, 2	3.00	9.14	7.00	2	2-1445084-2
2	1, 2, 11, 12	33.00	39.14	37.00	12	1-1445084-2
2	1, 2, 9, 10	30.00	36.14	34.00	11	1-1445084-1
2	1, 2, 9, 10	27.00	33.14	31.00	10	1-1445084-0
2	1, 2, 7, 8	24.00	30.14	28.00	9	1445084-9
2	1, 2, 7, 8	21.00	27.14	25.00	8	1445084-8
2	1, 2, 5, 6	18.00	24.14	22.00	7	1445084-7
2	1, 2, 5, 6	15.00	21.14	19.00	6	1445084-6
2	1, 2, 3, 4	12.00	18.14	16.00	5	1445084-5
2	1, 2, 3, 4	9.00	15.14	13.00	4	1445084-4
2	1, 2	6.00	12.14	10.00	3	1445084-3
2	1, 2	3.00	9.14	7.00	2	1445084-2
FINISH	CON POS W/RET BUMP 5	DIM Z	DIM V	DIM L	NO. OF POSN	PART NUMBER

THIS DRAWING IS A CONTROLLED DOCUMENT. DWN J.ROOT 10OCT2000
 CHK K. WHITAKER 17-APR-2001
 APVD C. JONES 17-APR-2001

STE TE Connectivity

NAME VERTICAL THRU HOLE HEADER ASSY,
0.38 MIC GOLD CONTACTS W/PCB PLZN
FEATURE, SGL ROW, MICRO MATE-N-LOK™

SIZE A2 CAGE CODE 00779 DRAWING NO. 1445084 RESTRICTED TO -
 WEIGHT - SCALE 5:1 SHEET 1 OF 1 REV B1

MATERIAL SEE TABLE CUSTOMER DRAWING