

THIS DRAWING IS A CONTROLLED DOCUMENT FOR AMP INCORPORATED. IT IS SUBJECT TO CHANGE AND THE CONTROLLING ENGINEERING ORGANIZATION SHOULD BE CONTACTED FOR THE LATEST REVISION.

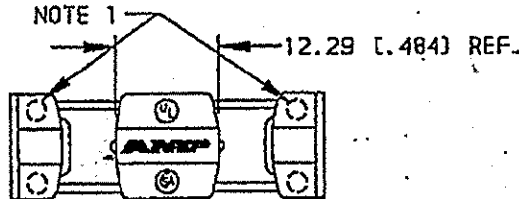
DRAWING MADE IN THIRD ANGLE PROJECTION

LOC		DIST		REVISIONS			
LTR	DESCRIPTION	DATE	APPROVED				
G	25	P	F	L	REV; EC 0230-0327-95	03SEPT96	DS/EH
				M	REV PER 033A-0255-03	23APR03	JR/TM

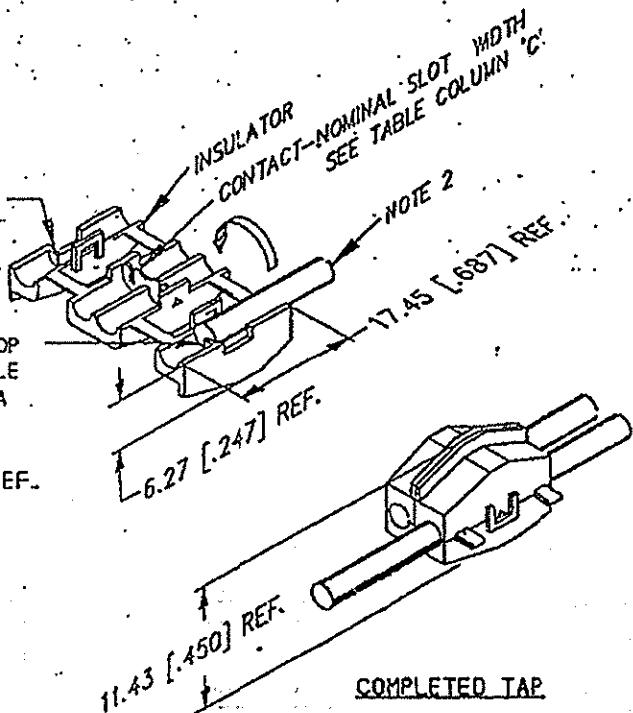
- NOTES:
1. DOTTED CIRCLES SHOW APPROX. LOCATION OF WIRE RANGE IDENTIFIERS.
 2. 4.06 (.160) MAX. INSULATION DIA.
 3. UL AND CSA LOGOS TO APPEAR ON HOUSING AS SHOWN.
 4. * PART NUMBER OBSOLETE.
 5. 100 PIECES IN A BOX.
 6. 5 PIECES IN A PRINTED POLY BAG WITH A PEG HOLE.

WIRE STOP
SEE TABLE
COLUMN B.

WIRE STOP
SEE TABLE
COLUMN A.



BOTTOM VIEW



DESCRIPTION	WIRE DIA	INSULATION DIA	NO	YES	COLOR	WIRE SIZE	WIRE SIZE	WIRE SIZE	WIRE SIZE
53440-2 PER NOTE 6	0.51	[.020]	NO	YES	RED	0.5-0.8	[20-18]	1	53440-0* OBS.
53440-2 PER NOTE 5	0.51	[.020]	NO	YES	RED	0.5-0.8	[20-18]		53440-9
53440-1 PER NOTE 6	0.71	[.020]	NO	YES	BLUE	0.8-2	[18-14]		53440-8* OBS.
53440-1 PER NOTE 5	0.71	[.028]	NO	YES	BLUE	0.8-2	[18-14]		53440-7
OBSOLETE	0.51	[.020]	NO	NO	RED	0.5-0.8	[20-18]		53440-6*
OBSOLETE	0.71	[.028]	NO	NO	BLUE	0.8-2	[18-14]		53440-5*
OBSOLETE	0.71	[.028]	YES	YES	BLUE	0.8-2	[18-14]		53440-4*
OBSOLETE	0.51	[.020]	YES	YES	RED	0.5-0.8	[20-18]		53440-3*
	0.51	[.020]	NO	YES	RED	0.5-0.8	[20-18]		53440-2
	0.71	[.028]	NO	YES	BLUE	0.8-2	[18-14]		53440-1
PACKAGING			C	B	A	COLOR	mm ² WIRE SIZE	AWG	PART NO

THIS DRAWING IS UNPUBLISHED. © COPYRIGHT 1990 BY AMP INCORPORATED. ALL INTERNATIONAL RIGHTS RESERVED. 19

DO NOT SCALE PRINT. UNLESS SPECIFIED DIMENSIONS IN mm (IN) TOLERANCES ON: 2 PLC DEC ± 3 PLC DEC ± ANGLES ±	DR MIDDLETOWN CAD 8/23/90 CHK B.J.H. 4-20-92 APPD	AMP AMP Incorporated Harrisburg, PA 17105-3608	
MATERIAL BRASS (MIL-C-50) ON (MIL-M-20693A)	APPD F. HARRIS 8/90 PRODUCT SPEC	NAME ELECTRO - TAP	
FINISH AMP SPEC 112-16	APPLICATION SPEC	SIZE A	CAGE CODE 00779
WEIGHT 2.18 g		DRAWING NO C-53440	
	SCALE NTS	SHEET 1 of 1	