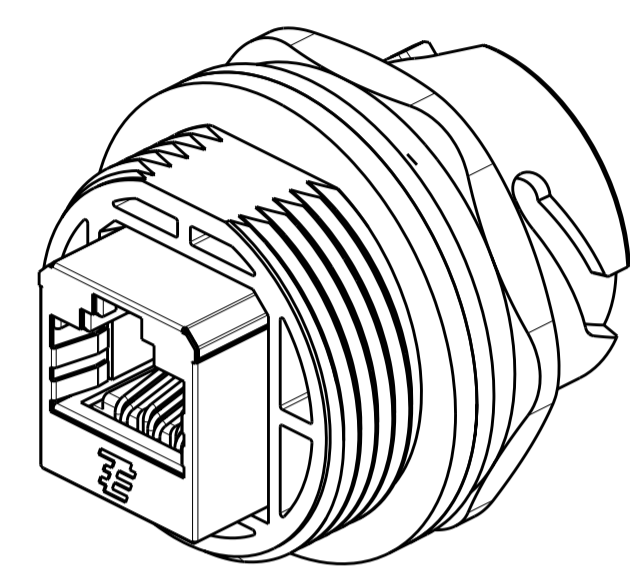
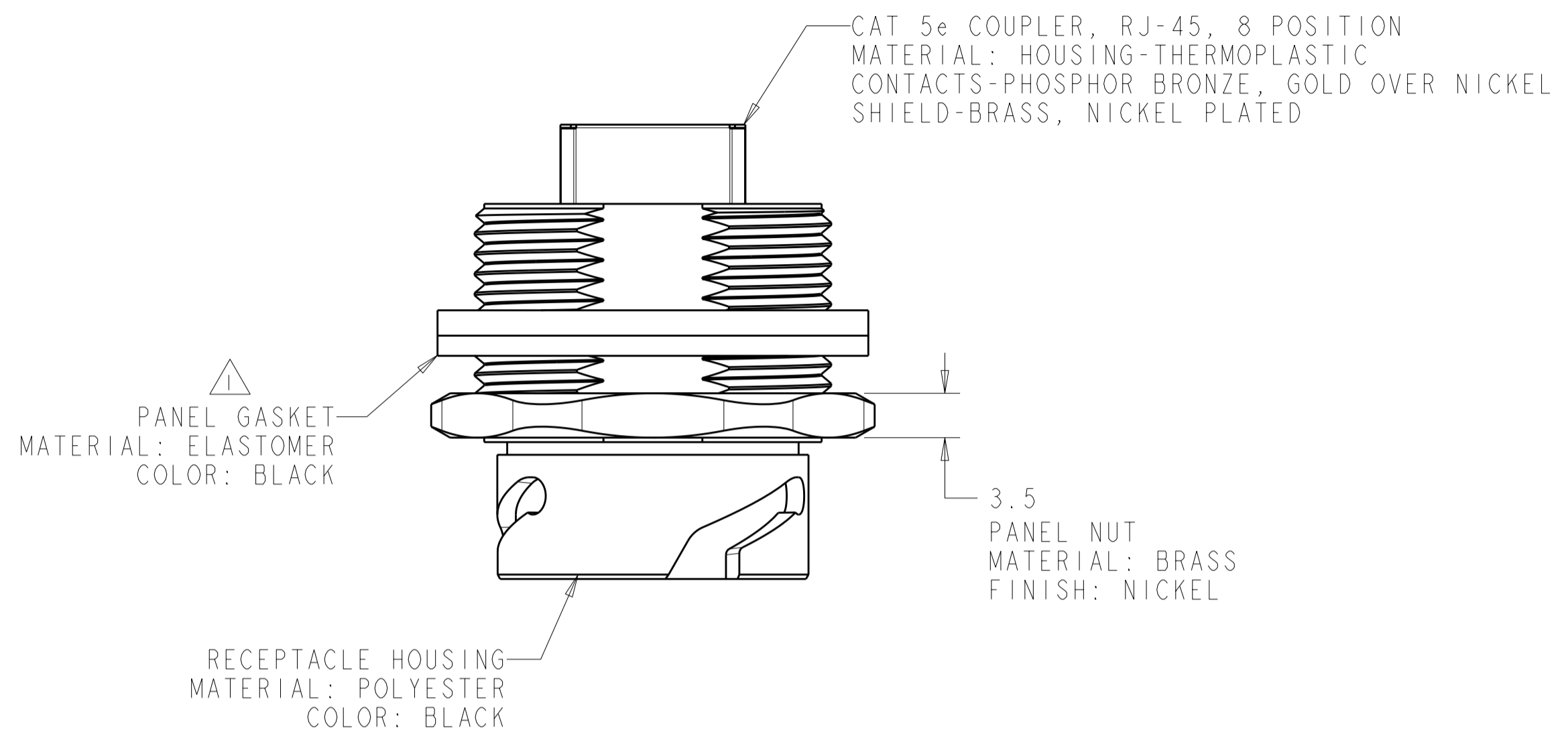
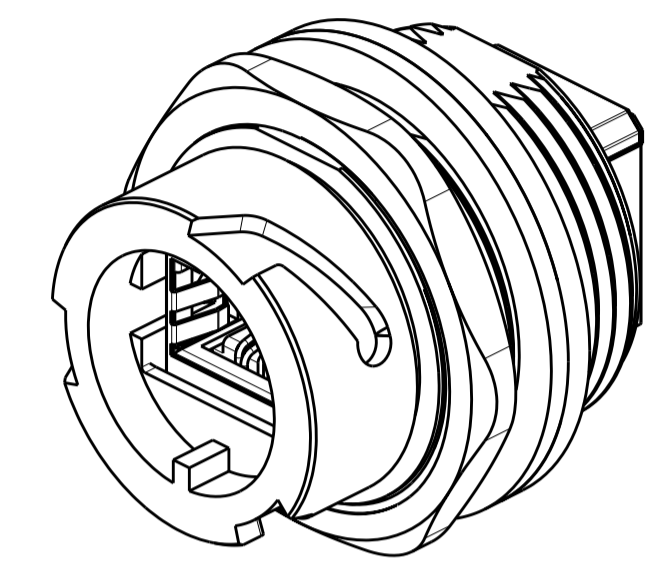


THIS DRAWING IS UNPUBLISHED. RELEASED FOR PUBLICATION 20  
 © COPYRIGHT 20 BY TYCO ELECTRONICS CORPORATION. ALL RIGHTS RESERVED.

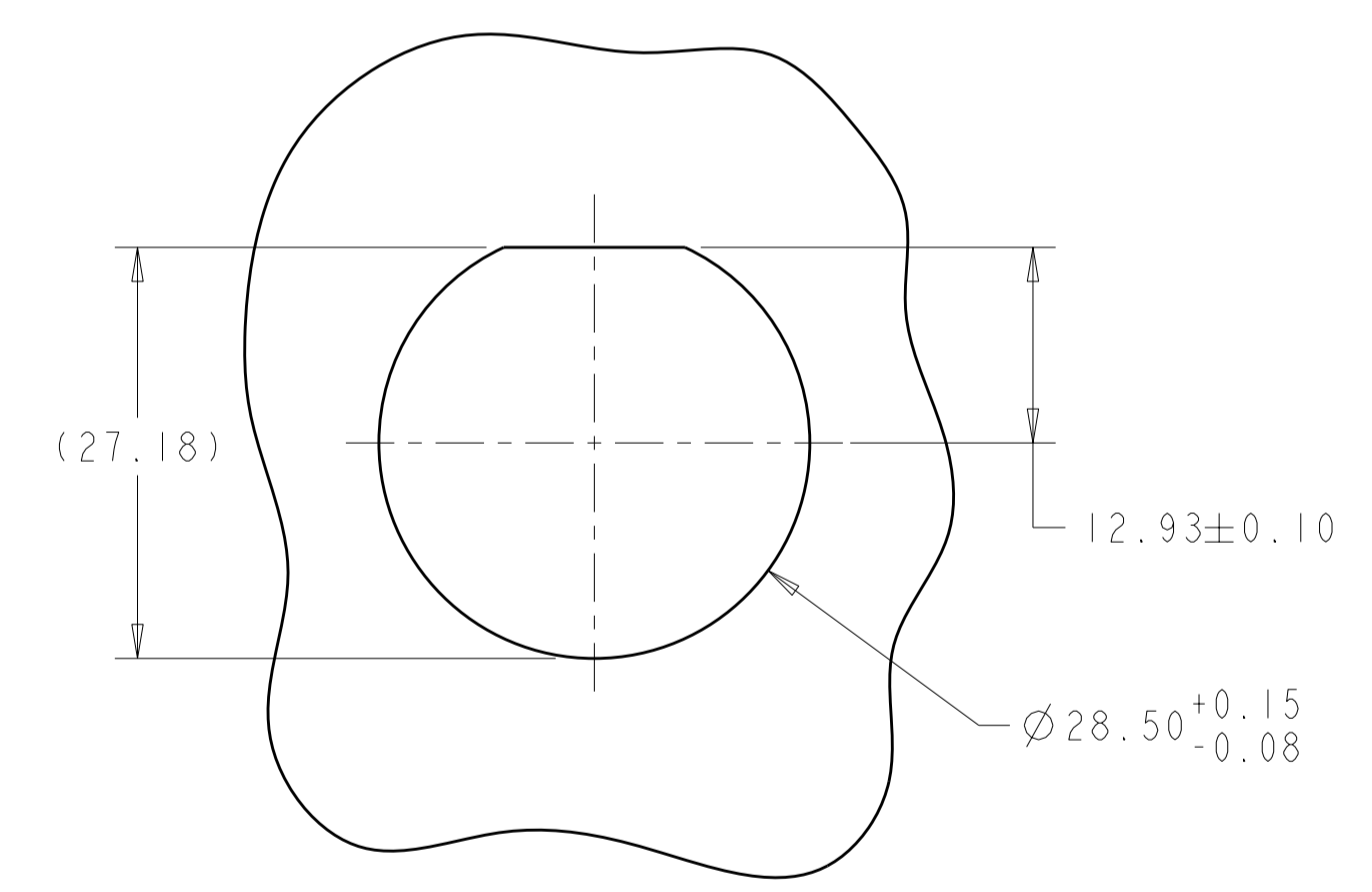
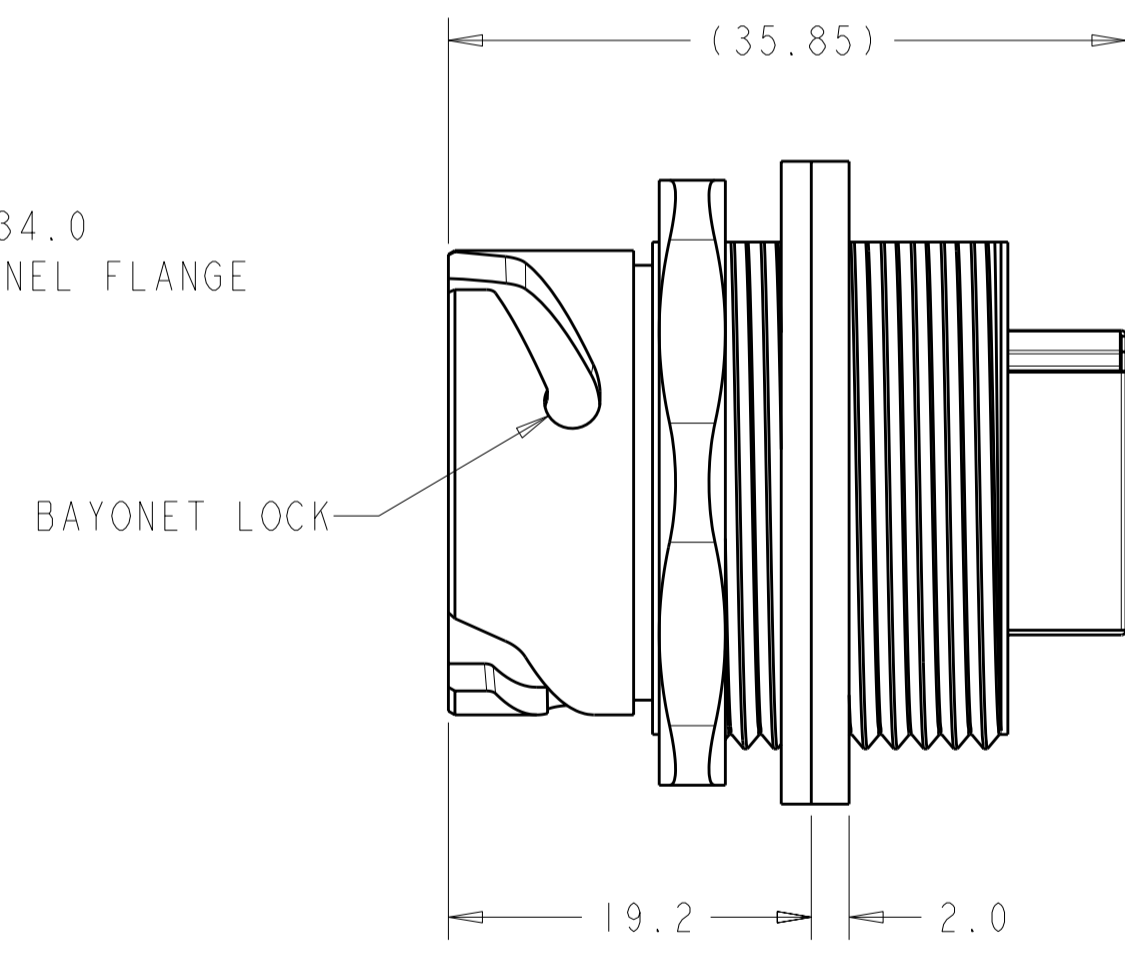
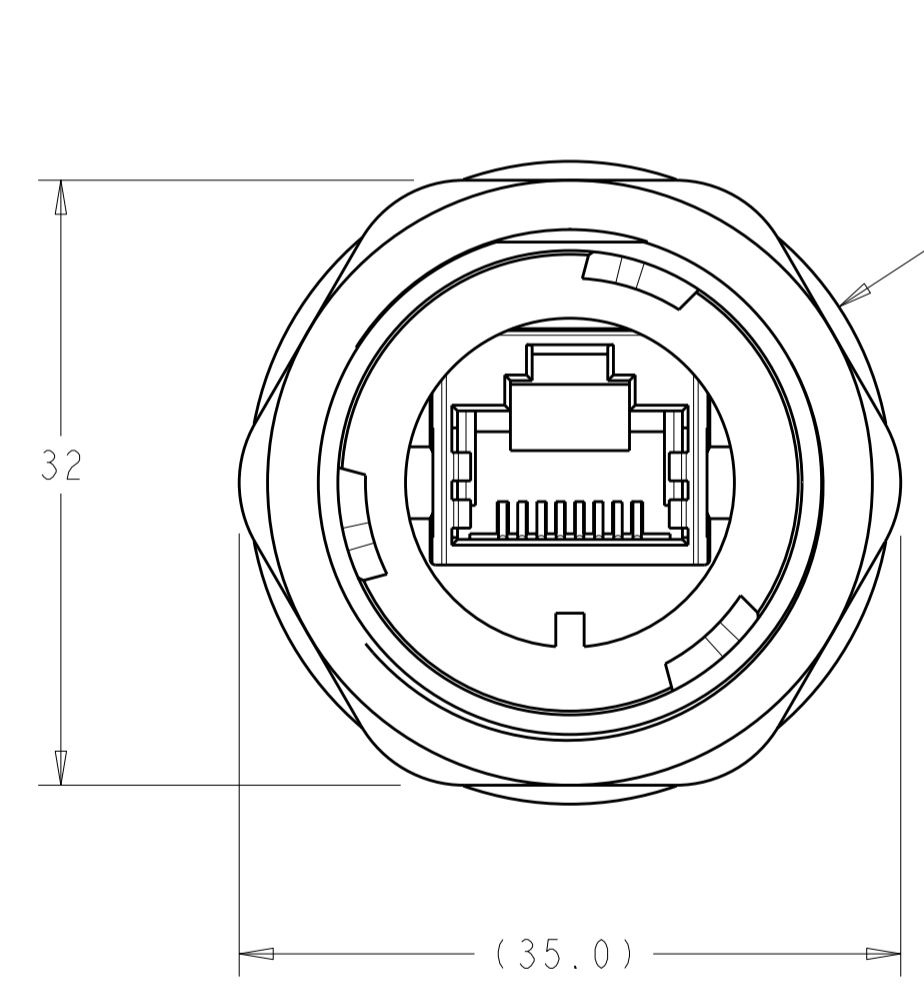
LOC		DIST		REVISIONS			
P	LTR	DESCRIPTION	DATE	DWN	APVD		
A		REVISED PER ECO-09-009008	08APR2009	SS	MS		
B		REV PER ECO-10-011440	07JUN2010	RG	SM		



SCALE 2:1



SCALE 2:1



CONNECTOR MAY BE FRONT OR REAR MOUNTED TO A MAXIMUM PANEL THICKNESS OF 3.2 mm.

2. COUPLER LINES CROSSOVER BETWEEN PORTS.

1811689-1  
PART NUMBER

THIS DRAWING IS A CONTROLLED DOCUMENT FOR TYCO ELECTRONICS CORPORATION. IT IS SUBJECT TO CHANGE AND THE CONTROLLING ENGINEERING ORGANIZATION SHOULD BE CONTACTED FOR THE LATEST REVISION.		DWN W.G.LENKER 26 JAN 2005	Tyco Electronics Harrisburg, PA 17105-3608	
DIMENSIONS: mm		CHK J.LANDIS 26 JAN 2005	NAME SHIELDED RECEPTACLE KIT, INDUSTRIAL CIRCULAR ETHERNET CONNECTOR	
TOLERANCES UNLESS OTHERWISE SPECIFIED: 0 PLC ±0.3 1 PLC ±0.2 2 PLC ±0.10 3 PLC ± 4 PLC ± ANGLES ±° FINISH		APVD -	PRODUCT SPEC 108-2198	RESTRICTED TO -
MATERIAL -		APPLICATION SPEC 114-13136	SIZE A2	CAGE CODE 00779
		WEIGHT -	DRAWING NO 1811689	REV B
		CUSTOMER DRAWING	SCALE 5:2	SHEET 1 OF 1