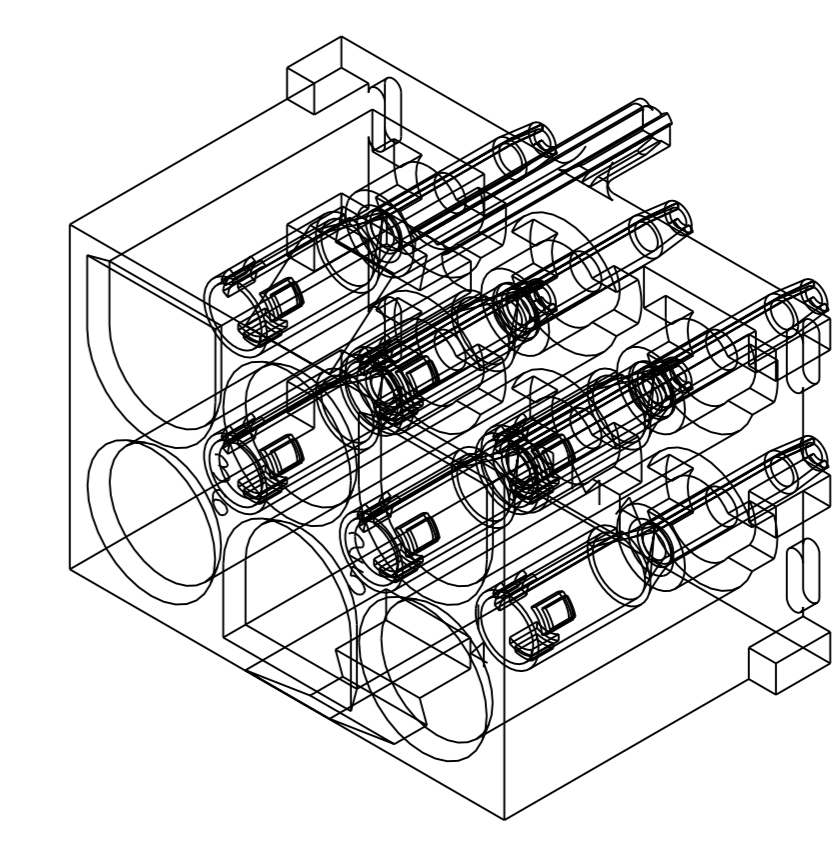
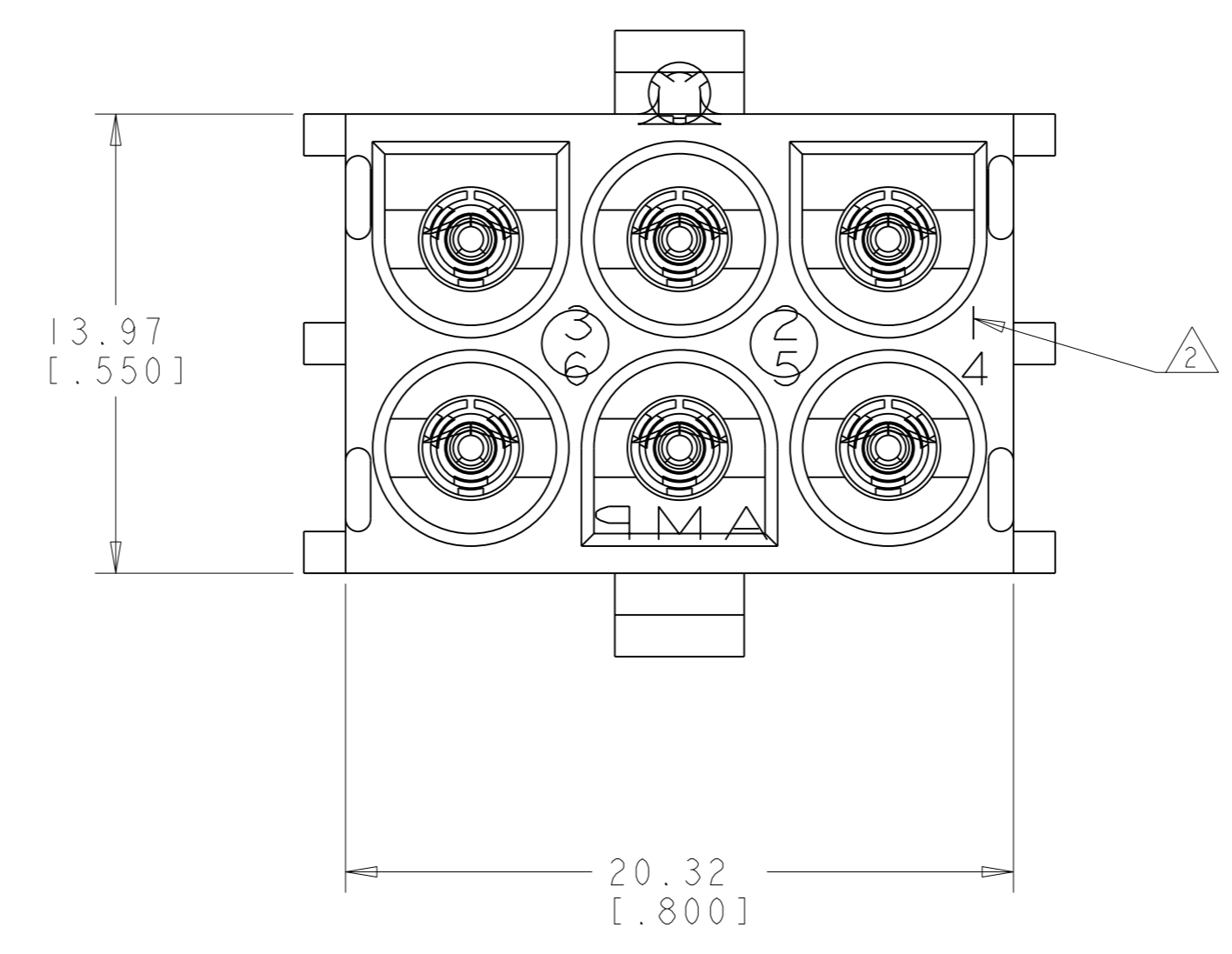
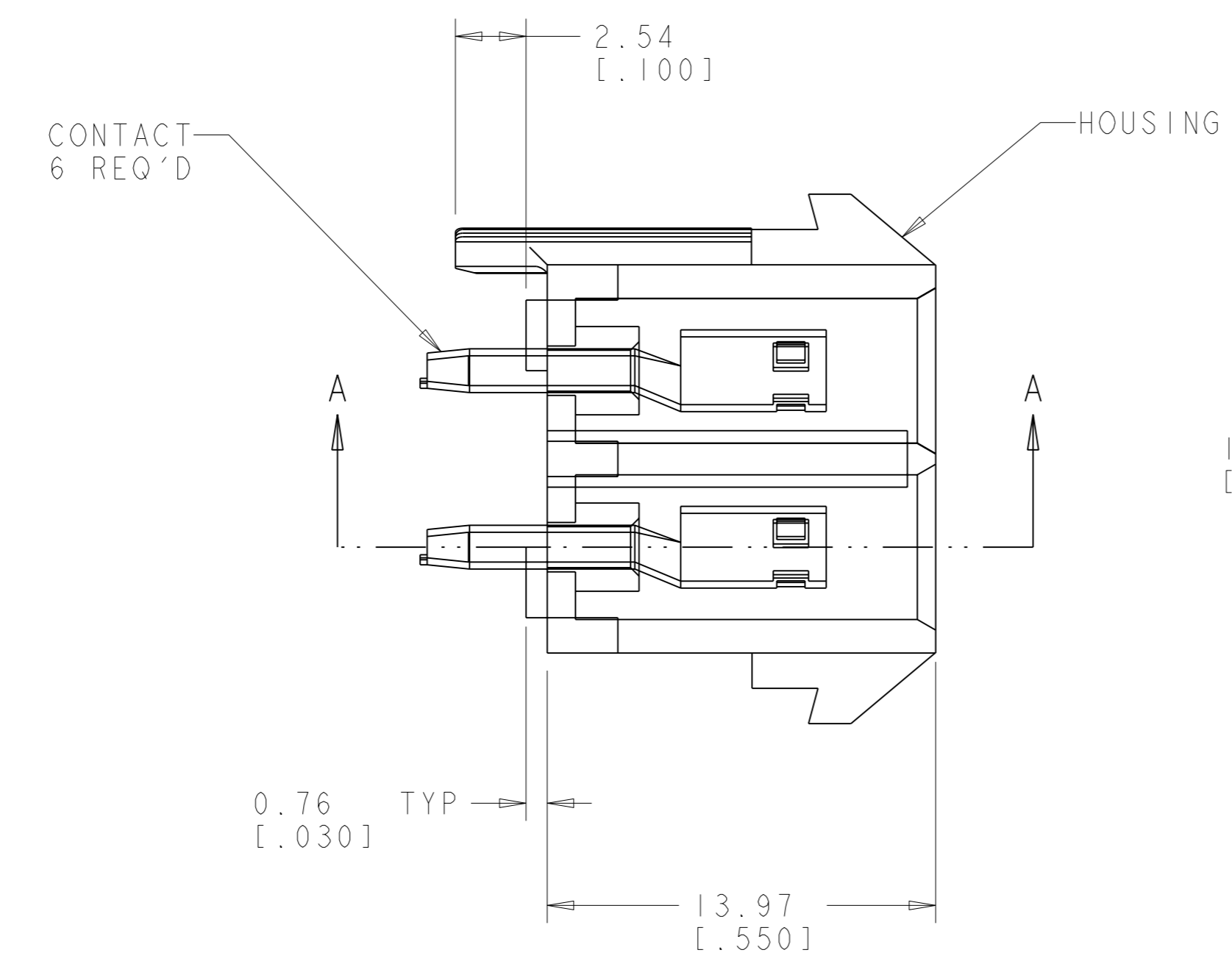
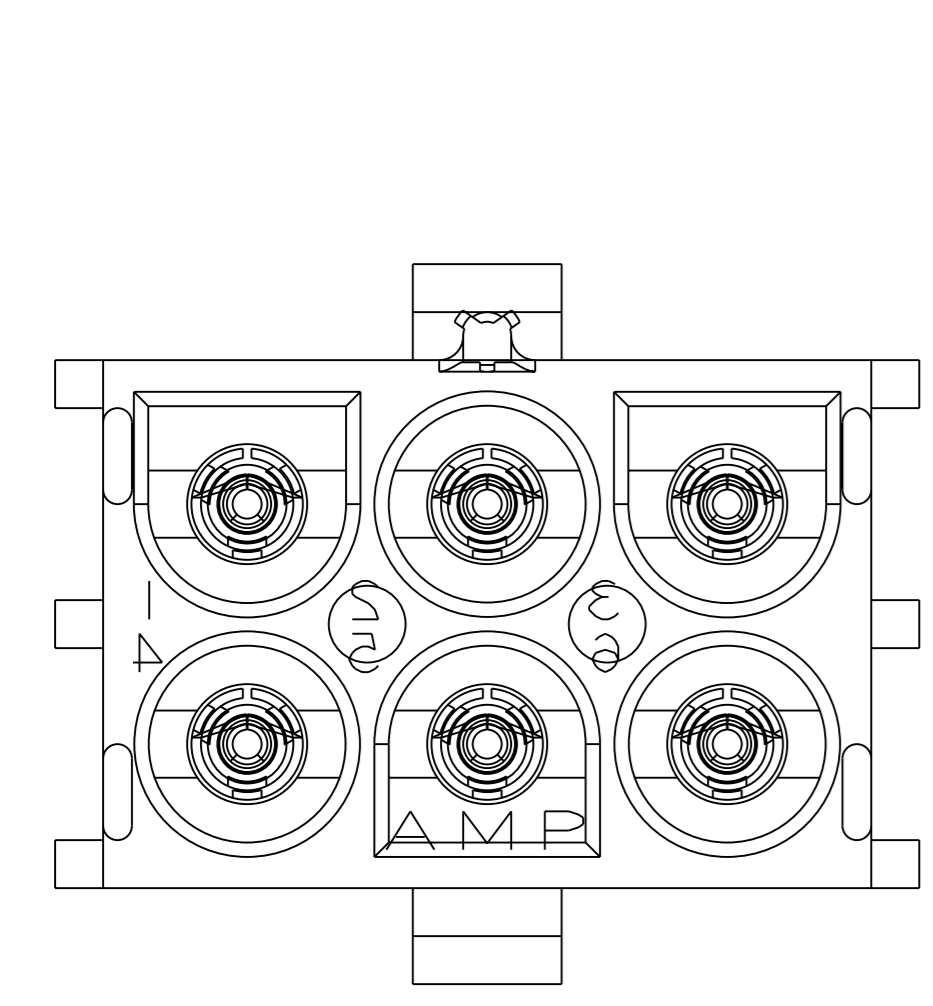
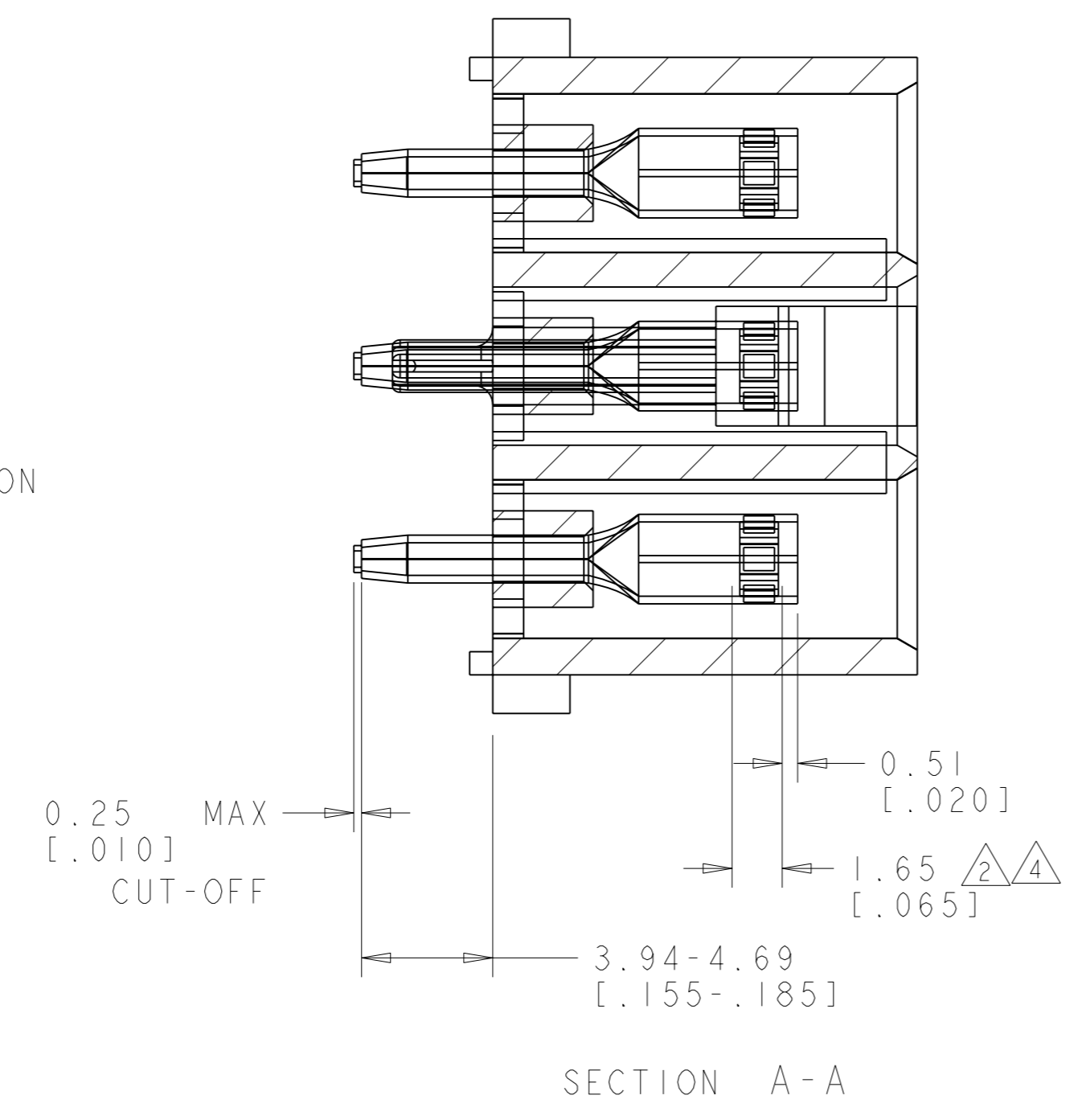
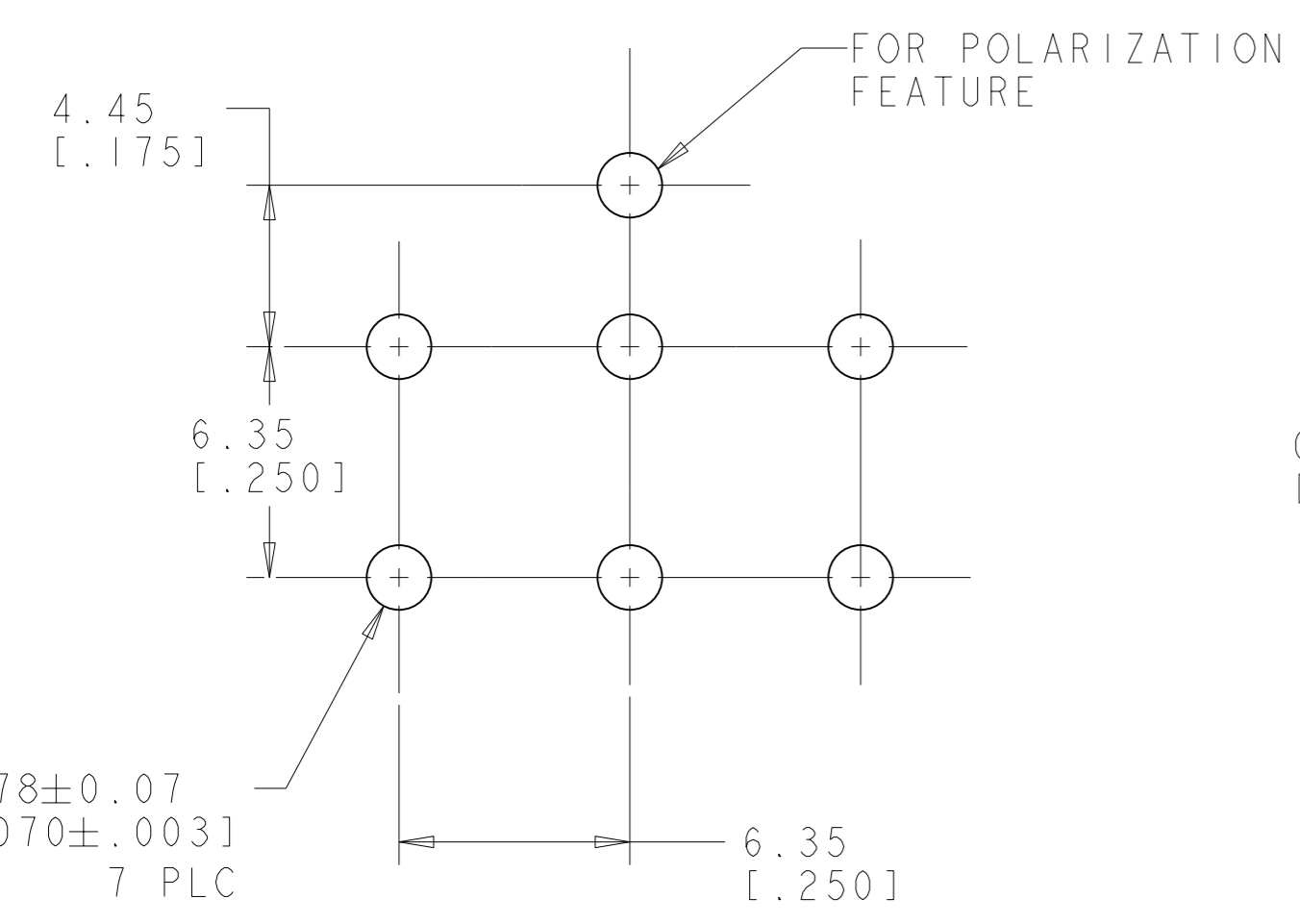


LOC		DIST		REVISIONS			
F	LTR	DESCRIPTION	DATE	DWN	APVD		
H		REVISED PER 0G3B-1100-04	130CT05	KW	SR		

1. PARTS COMPLY TO AMP SOLDERABILITY SPECIFICATION 109-11-3.
- ② CONTACT IS PLATED OVERALL WITH 0.00127 [.000050] NICKEL, THEN STRIPED WITH 0.00076 [.000030] GOLD IN CONTACT AREA AND TIN-LEAD ON SOLDER TAIL END.
- ③ CIRCUIT IDENTIFICATION CHARACTERS ARE ADJACENT TO THE INDICATED CAVITIES, BUT LOCATION AND ORIENTATION MAY DIFFER FROM PRINT.
- ④ CONTACT IS PLATED OVERALL WITH 0.00127 [.000050] NICKEL, THEN 0.00076 [.000030] GOLDOVER CONTACT LENGTH INDICATED AND MATTE TIN ON SOLDER TAIL END.



SCALE 4:1



SECTION A-A

RECOMMENDED MOUNTING HOLE PATTERN FOR 1.57 [.062] THICK P.C. BOARD

METRIC

④	PHOSPOR BRONZE, GOLD	NYLON, UL94V-0	643424-3
②	PHOSPOR BRONZE, GOLD	NYLON, UL94V-0	643424-2
	PHOSPOR BRONZE, PRE-TIN	NYLON, UL94V-0	643424-1
	CONTACT	HOUSING	PART NUMBER

DIMENSIONS: mm [INCHES]		TOLERANCES UNLESS OTHERWISE SPECIFIED:		DWN: K. WHITAKER 130CT2005		APVD: S. RIDGILL 130CT2005		NAME: tyco Electronics Tyco Electronics Harrisburg, PA 17105-3608	
0 PLC ±		1 PLC ±		130CT2005		130CT2005		SOCKET HEADER ASSEMBLY, POLARIZED, 6 CIRCUIT, UNIVERSAL MATE-N-LOK(TM)	
1 PLC ±		2 PLC ±		PRODUCT SPEC		APPLICATION SPEC		SIZE: A	
2 PLC ±		3 PLC ±		APPLICATION SPEC		CUSTOMER DRAWING		SCALE: 5:1	
3 PLC ±		4 PLC ±		APPLICATION SPEC		CUSTOMER DRAWING		SHEET 1 OF 1	
4 PLC ±		ANGLES: 40° 30'		APPLICATION SPEC		CUSTOMER DRAWING		REV H	
MATERIAL: SEE TABLE		FINISH: SEE TABLE		WEIGHT: -		CAGE CODE: 00779		DRAWING NO: 643424	