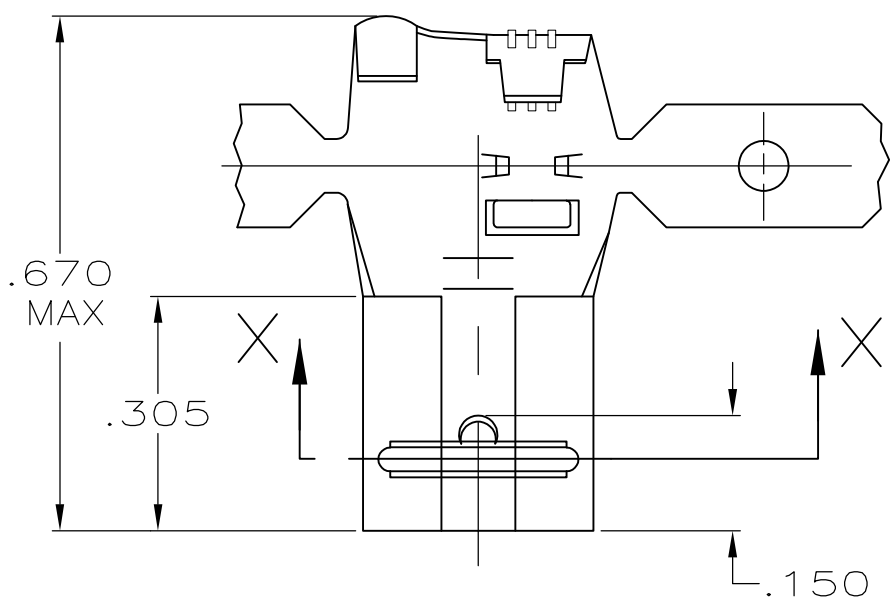
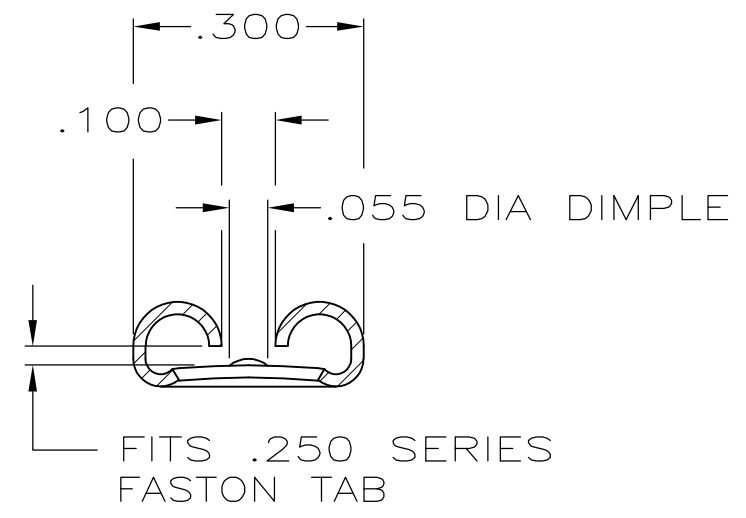


THIS DRAWING IS UNPUBLISHED. RELEASED FOR PUBLICATION  
 © COPYRIGHT - By - ALL RIGHTS RESERVED.

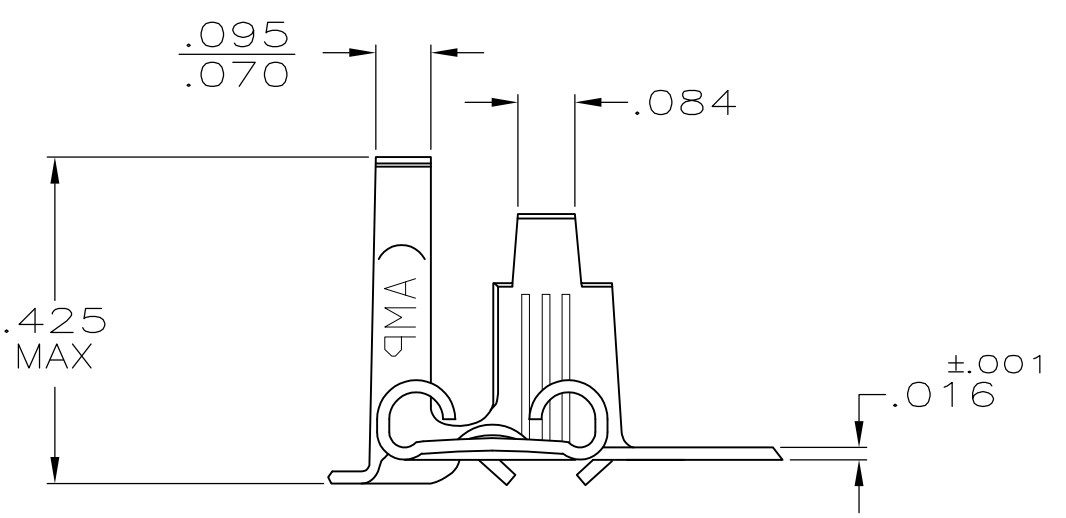
|     |      |           |     |                           |         |     |      |
|-----|------|-----------|-----|---------------------------|---------|-----|------|
| LOC | DIST | REVISIONS |     |                           |         |     |      |
| AF  | 50   | P         | LTR | DESCRIPTION               | DATE    | DWN | APVD |
|     |      | R         |     | REVISED PER ECR-11-018063 | 21DEC11 | KH  | PD   |



- 1 CONTINUOUS STRIP ON REELS.
- 2 FEED IS  $.760 \pm .005$ .



SECTION X-X



|        |                  |           |                      |         |
|--------|------------------|-----------|----------------------|---------|
| TIN    | .110-.210        | 18-12 AWG | .032                 | 42511-2 |
| -      | .110-.210        | 18-12 AWG | .032                 | 42511-1 |
| FINISH | INSULATION RANGE | WIRE SIZE | MATING TAB THK ±.001 | PART NO |

|  |  |                             |  |  |                       |
|--|--|-----------------------------|--|--|-----------------------|
| THIS DRAWING IS A CONTROLLED DOCUMENT.   |  | DWN<br>JR RUTH<br>1/24/91   | TE Connectivity<br>RECEPTACLE, FASTON, FLAG, .250 SERIES |  |                       |
| DIMENSIONS: INCHES   |  | CHK<br>P FORTNEY<br>1/24/91 |  |  |                       |
| TOLERANCES UNLESS OTHERWISE SPECIFIED:   |  | APVD<br>C MEYERS<br>1/24/91 | PRODUCT SPEC   |  |                       |
| 0 PLC ± -<br>1 PLC ± -<br>2 PLC ± -<br>3 PLC ± .015<br>4 PLC ± -<br>ANGLES ± - |  | APPLICATION SPEC            |  |  | RESTRICTED TO         |
| MATERIAL<br>4M BRASS   |  | WEIGHT<br>-                 |  |  | SIZE<br>A3            |
| FINISH<br>SEE TABLE  |  | CAGE CODE<br>00779          |  |  | DRAWING NO<br>C-42511 |
| CUSTOMER DRAWING   |  | SCALE<br>4:1                |  |  | SHEET<br>1 OF 1       |
|  |  | REV<br>R                    |  |  |                       |