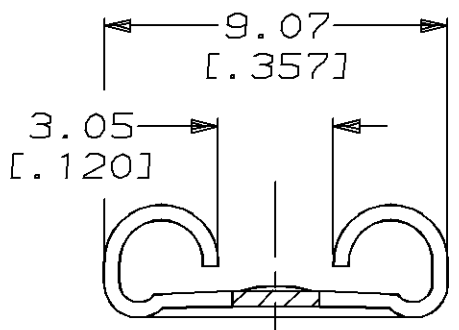
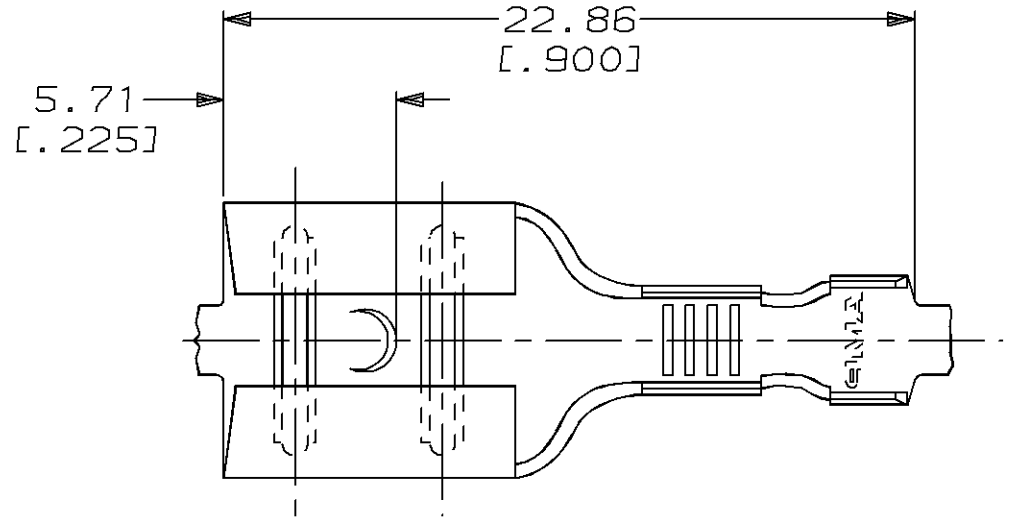


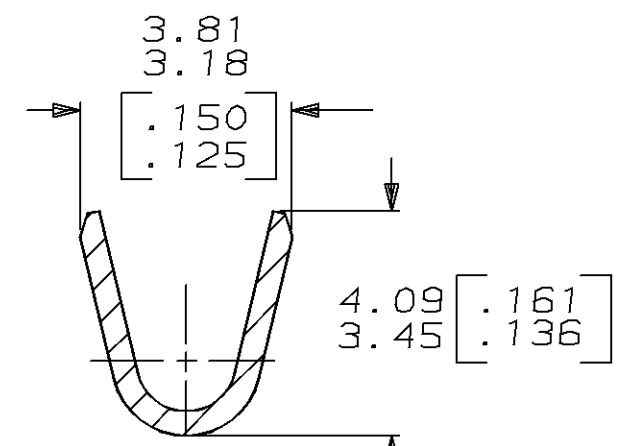
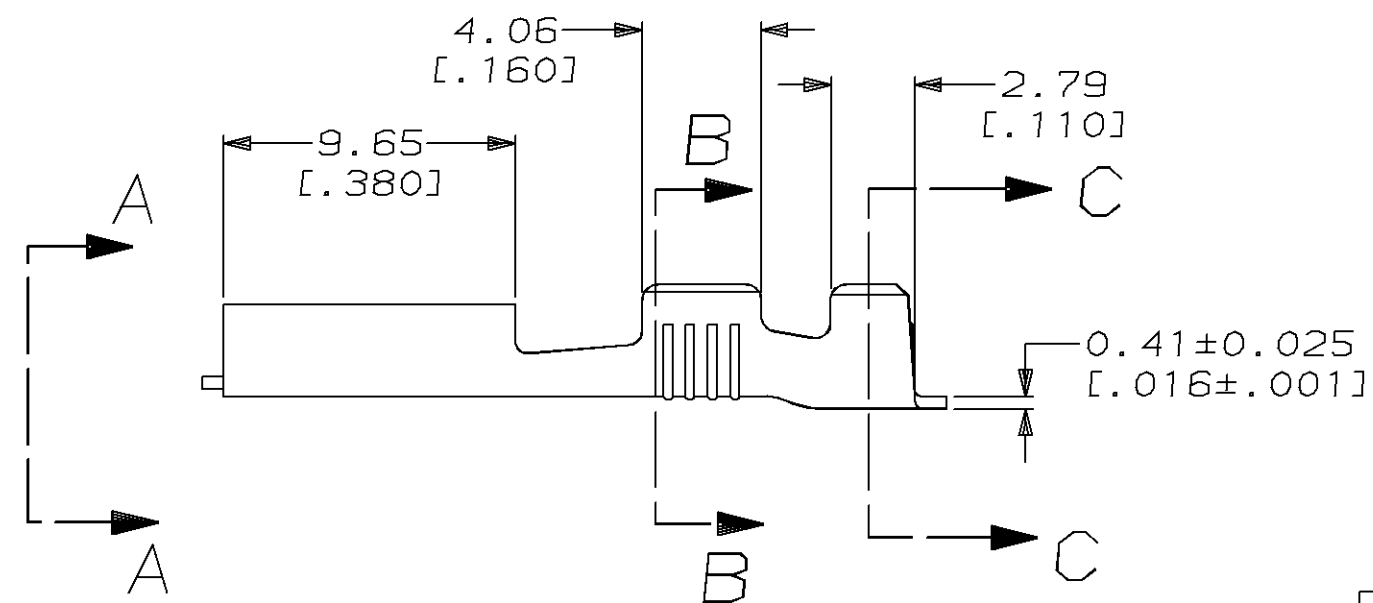
THIS DRAWING IS UNPUBLISHED. RELEASED FOR PUBLICATION, 19 .  
 © COPYRIGHT 19 BY AMP INCORPORATED. ALL INTERNATIONAL RIGHTS RESERVED.

LOC	DIST	P	F	REVISIONS				
AF	50			ZONE	LTR	DESCRIPTION	DATE	APPD
					B	REDRAW PER 0L10-0058-97	2/11/97	JR/PD

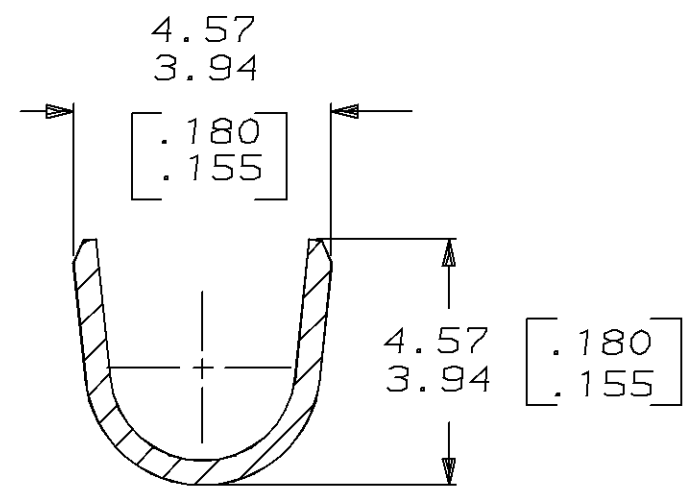
1 CONTINUOUS STRIP ON REELS



VIEW A-A  
SCALE 5:1



SECTION B-B  
SCALE 8:1



SECTION C-C  
SCALE 8:1

2.29-3.30 [.090-.130] DIA	[#18-#14] AWG	0.81±0.025 [.032±.001]	62092-1
INSULATION RANGE	WIRE SIZE	MATING TAB THICKNESS	PART NO
DO NOT SCALE PRINT. UNLESS SPECIFIED DIMENSIONS ARE IN INCHES TOLERANCES ON: 2 PLC DEC ± - 3 PLC DEC ± 0.38 [.015] ANGLES ± -	DR 2/11/97 JR RUTH CHK 2/11/97 MS FEHER APPD 2/11/97 P DESANTIS APPD 2/11/97 D BRATINA PRODUCT SPEC -	<b>AMP</b> AMP Incorporated Harrisburg, PA 17105-3608 NAME RECEPTACLE, FASTON, 7.92 [.312] SERIES	
MATERIAL 4M BRASS	FINISH -	APPLICATION SPEC 114-2036	WEIGHT -
		SIZE B	CAGE CODE 00779
		DRAWING NO 62092	SCALE 4:1
		SHEET 1 OF 1	