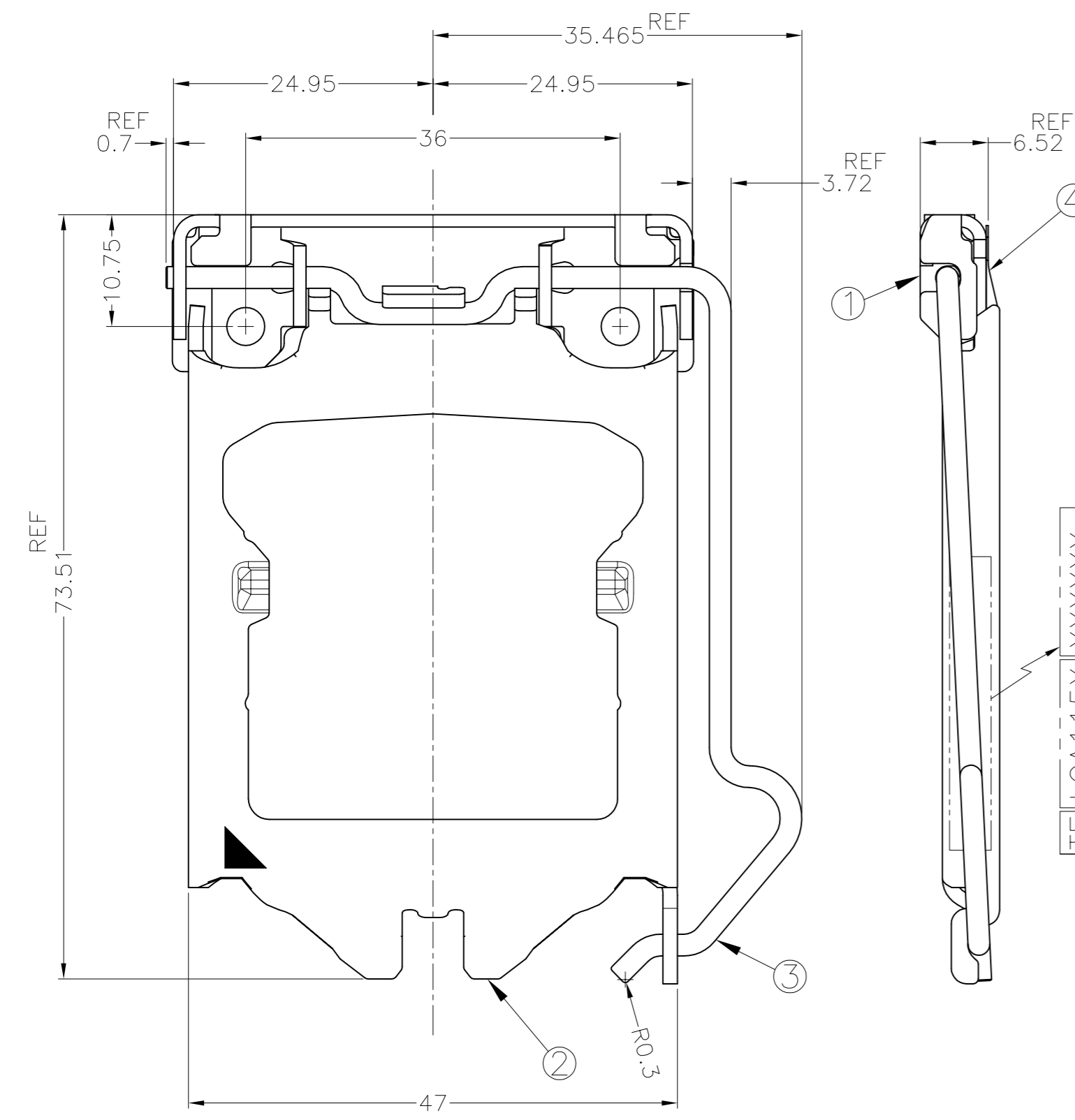
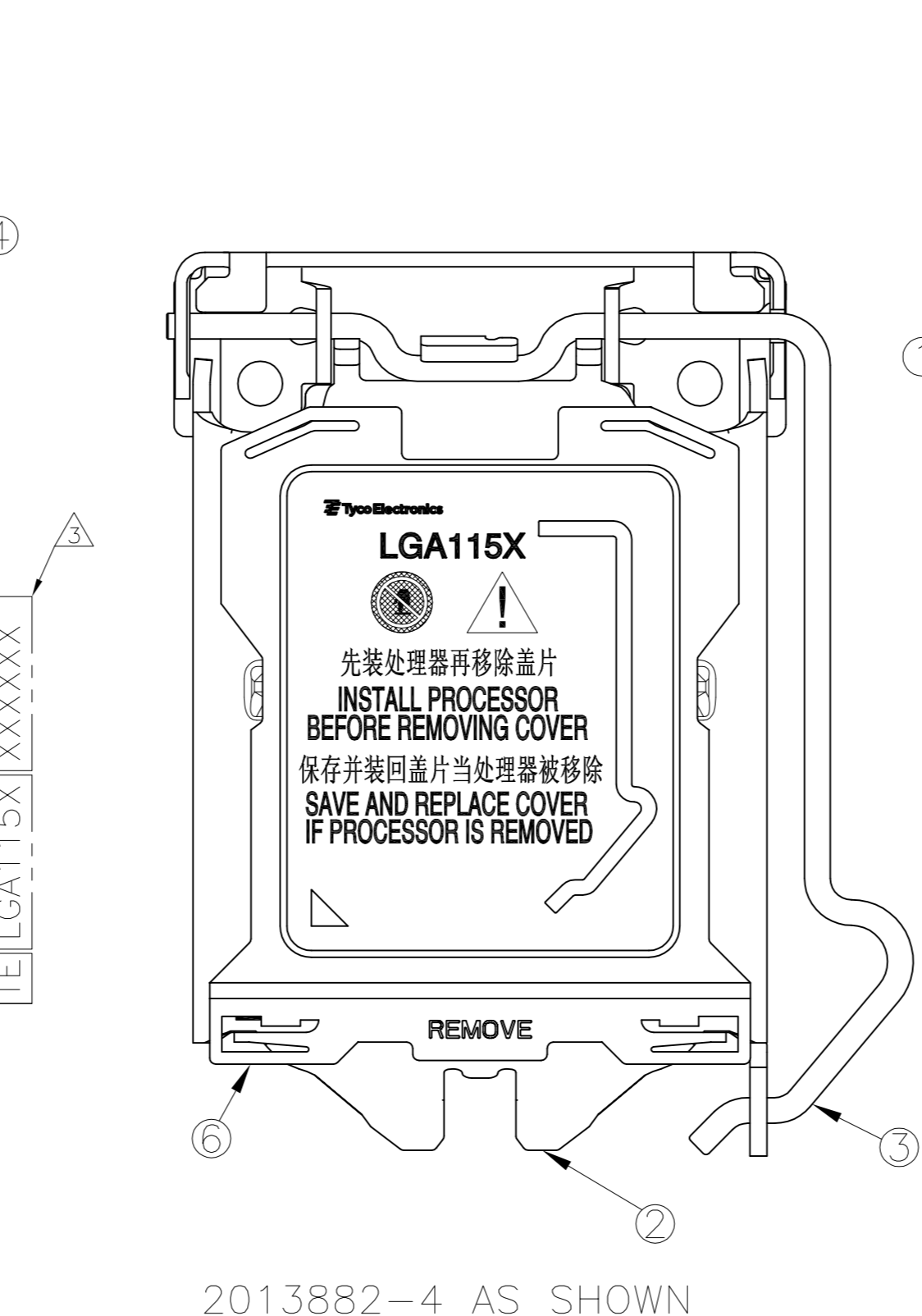


LOC		DIST		REVISIONS			
J	-	P	LTR	DESCRIPTION	DATE	DWN	APVD
		G	REVISED		14MAY'12	J.C	T.N

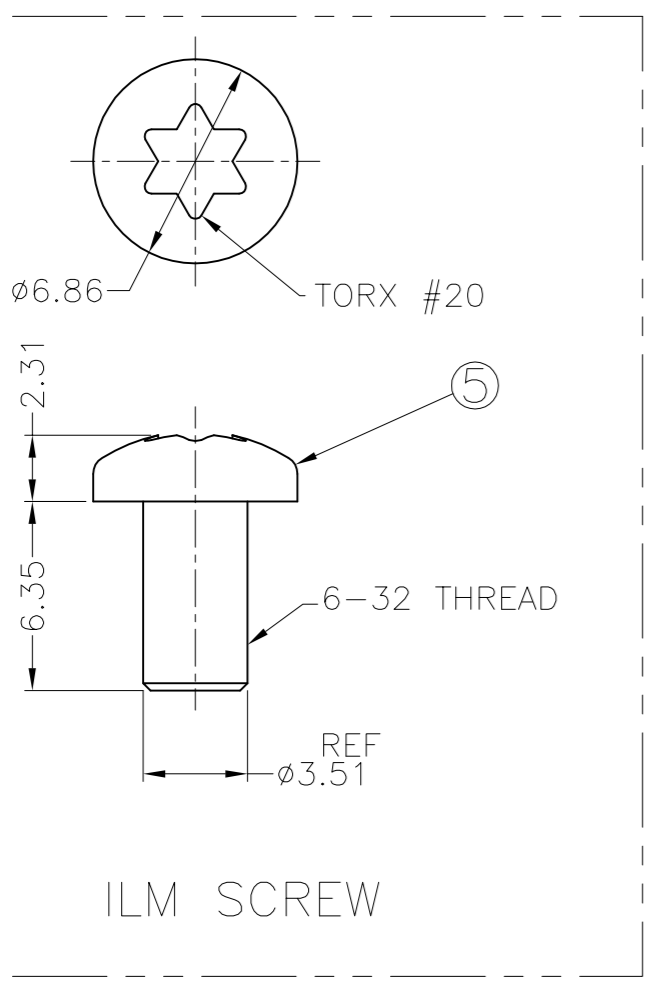


2013882-1 AS SHOWN WITHOUT ILM COVER

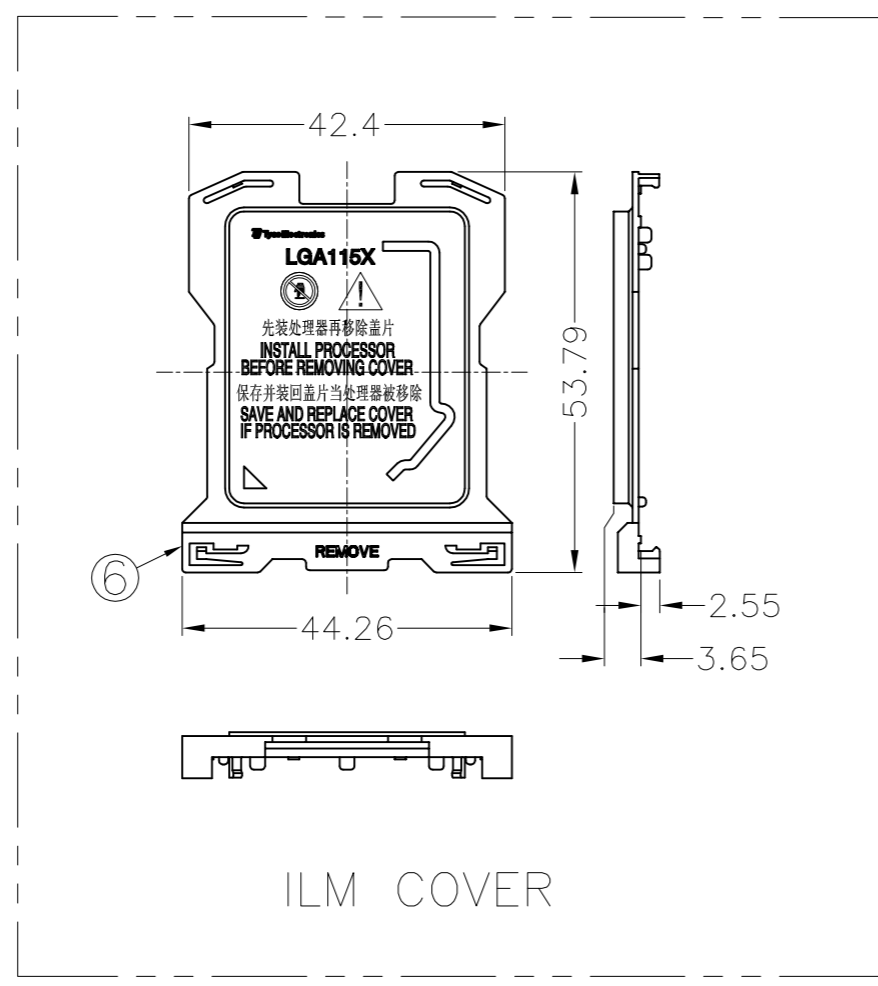


2013882-4 AS SHOWN WITH ILM COVER OTHERWISE SPECIFIED DIMENSIONS ARE SAME WITH -1

- NOTE (APPLIED TO SHEET 1 OF 2):
- MATERIAL
    - ① FRAME: STEEL OR STAINLESS STEEL
    - ② LOAD PLATE: STAINLESS STEEL
    - ③ LEVER: SUS304, 2.1 DIA
    - ④ INSULATOR: POLYCARBONATE FILM PLUS ACRYLIC ADHESIVE LAYER
    - ⑤ ILM SCREW: STEEL FINISH: Ni PLATING
    - ⑥ ILM COVER: THERMO-PLASTIC, UL94 V-2, BLACK
  - APPLICABLE SOCKET P/N: 2040540 / 2069965 / 2134928 SERIES
  - INDICATED DATE CODE ON THE LOAD PLATE
  - ILM ASSY AND SCREW ARE PACKED IN A BOX SEPARATELY



ILM SCREW



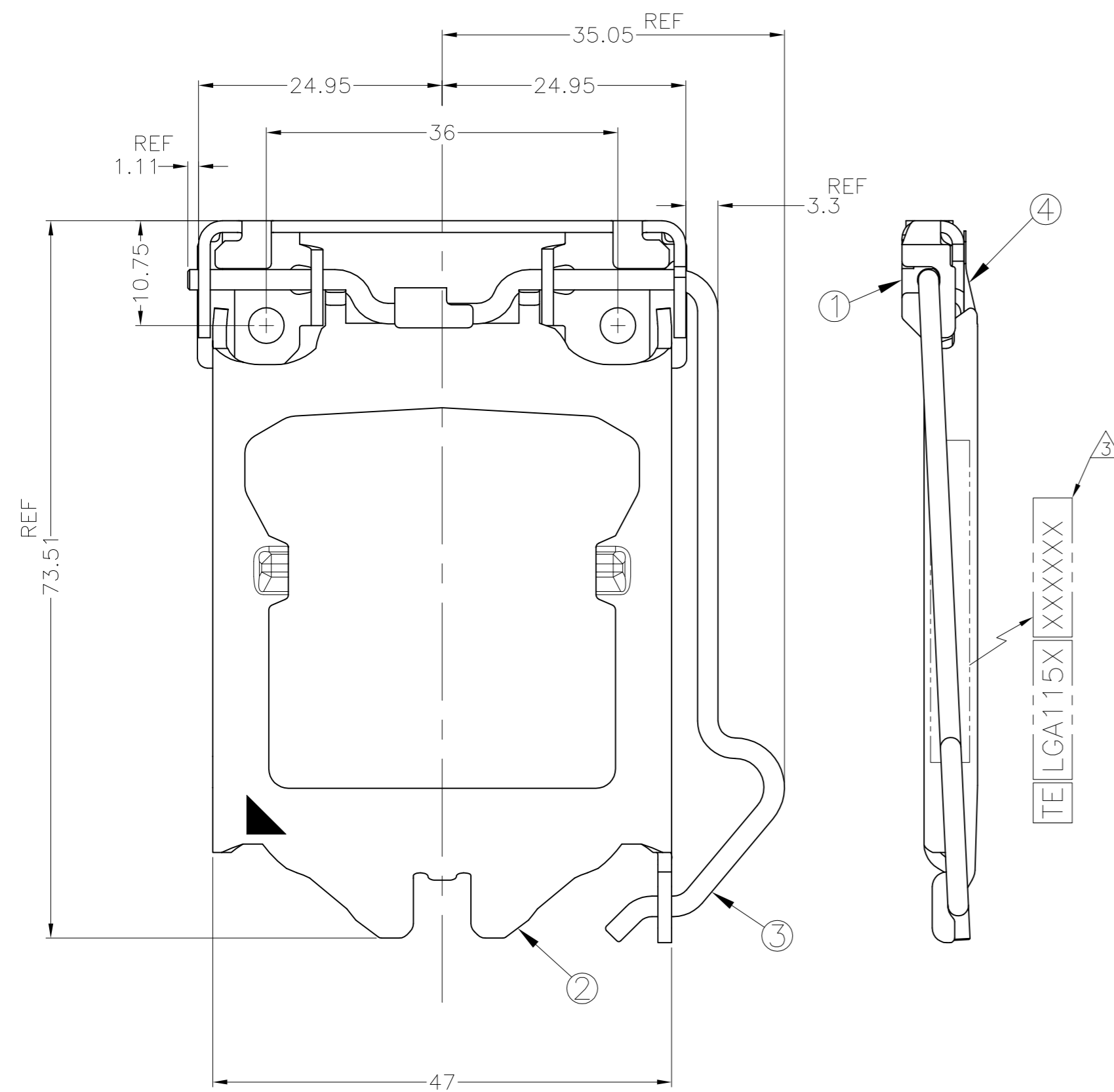
ILM COVER

WEIGHT(g)	COVER	ILM ASSY	SCREW	DESCRIPTION	PART NUMBER
29.8	1	1		ILM ASSY W/ COVER	2013882-7
27.1		1		ILM ASSY	2013882-6
29.8	1	1		ILM ASSY W/ COVER	2013882-4
27.3		1	2	ILM ASSY W/ SCREW	△ 2013882-2
27.1		1		ILM ASSY	2013882-1
PRODUCT QTY					

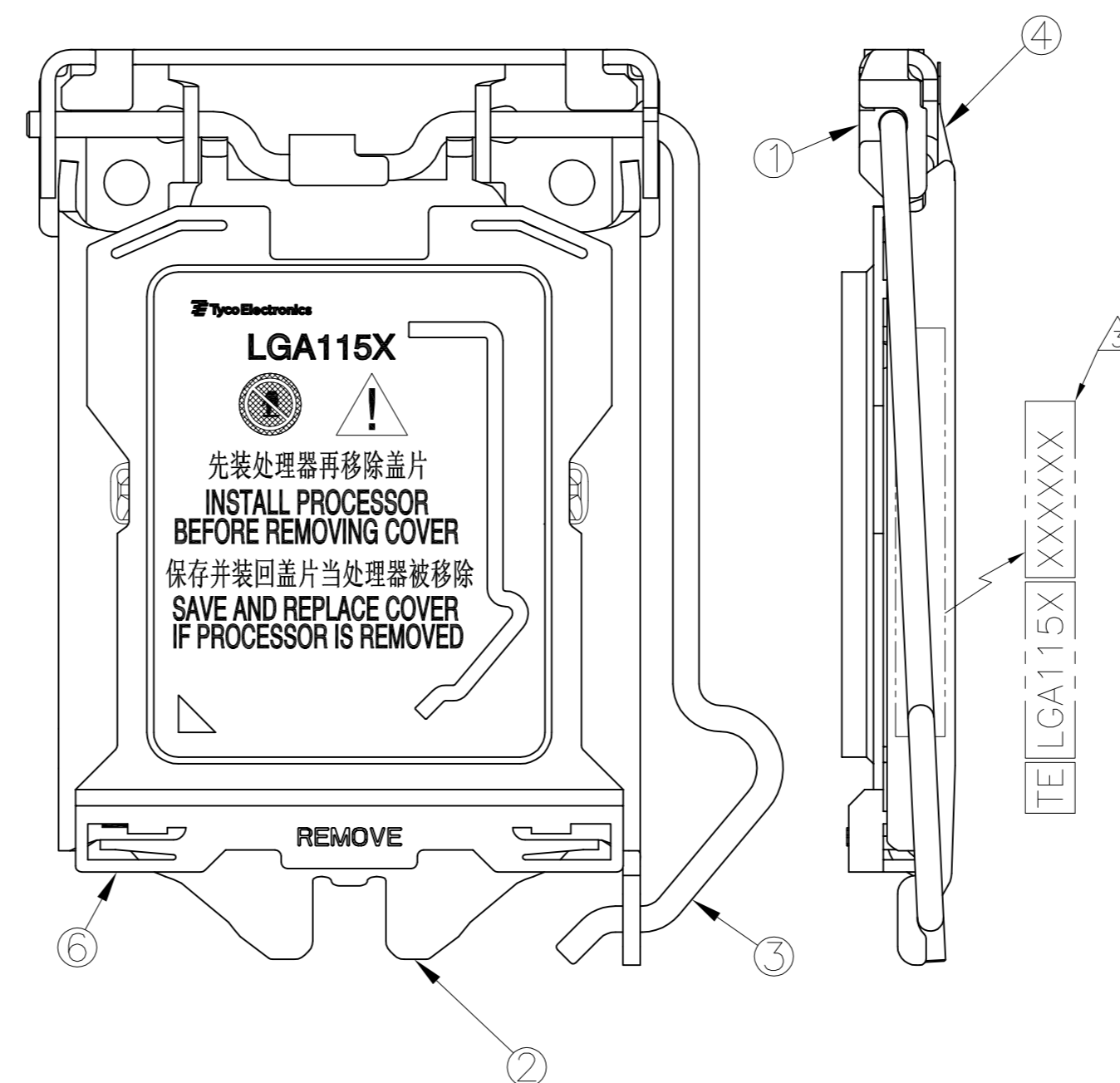
THIS DRAWING IS A CONTROLLED DOCUMENT.

DIMENSIONS: 单位: 转 mm	TOLERANCES UNLESS OTHERWISE SPECIFIED: 一般公差	DWN J.MIZUSIMA 03JUL2009	TE Connectivity
0-PLC ± ±0.3	1-PLC ± ±0.3	CHK H.TAGUCHI 03JUL2009	
2-PLC ± ±3°	3-PLC ± ±	APVD T.NAKASHIMA 03JUL2009	NAME 名称
4-PLC ± ±	ANGLES ± ±	FINISH 仕上	ILM ASSY LGA115X
MATERIAL 材料		PRODUCT SPEC 108-78586	SIZE A2
		APPLICATION SPEC 114-5444	CAGE CODE 00779
		WEIGHT SEE TABLE	DRAWING NO 2013882
		CUSTOMER DRAWING	RESTRICTED TO -
			SCALE 2:1
			SHEET 1 OF 2
			REV G

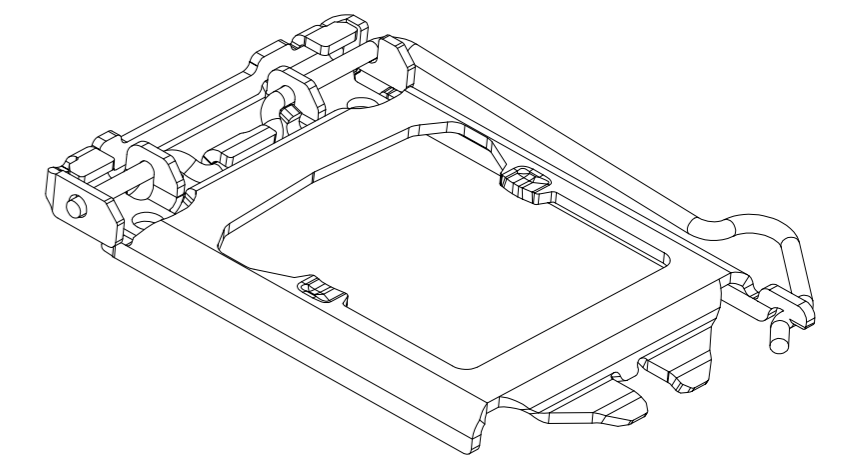
LOC		DIST		REVISIONS			
P	LTR	DESCRIPTION	DATE	DWN	APVD		
J	-	SEE SHEET 1	-	-	-		



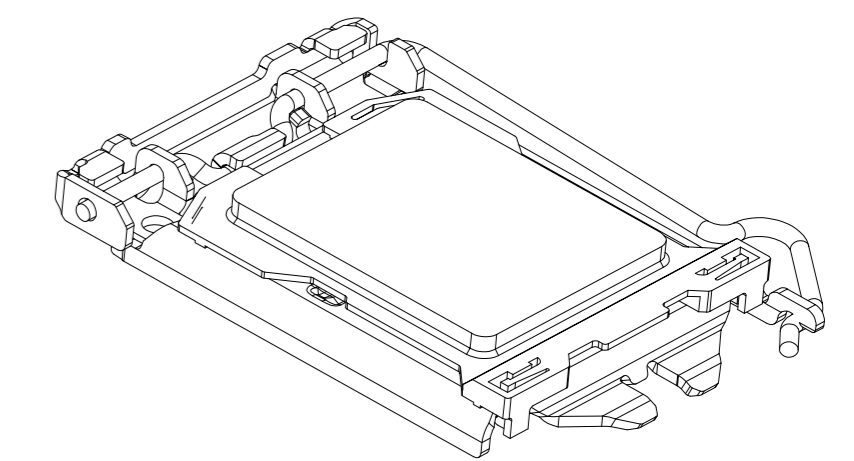
2013882-6 AS SHOWN WITHOUT ILM COVER



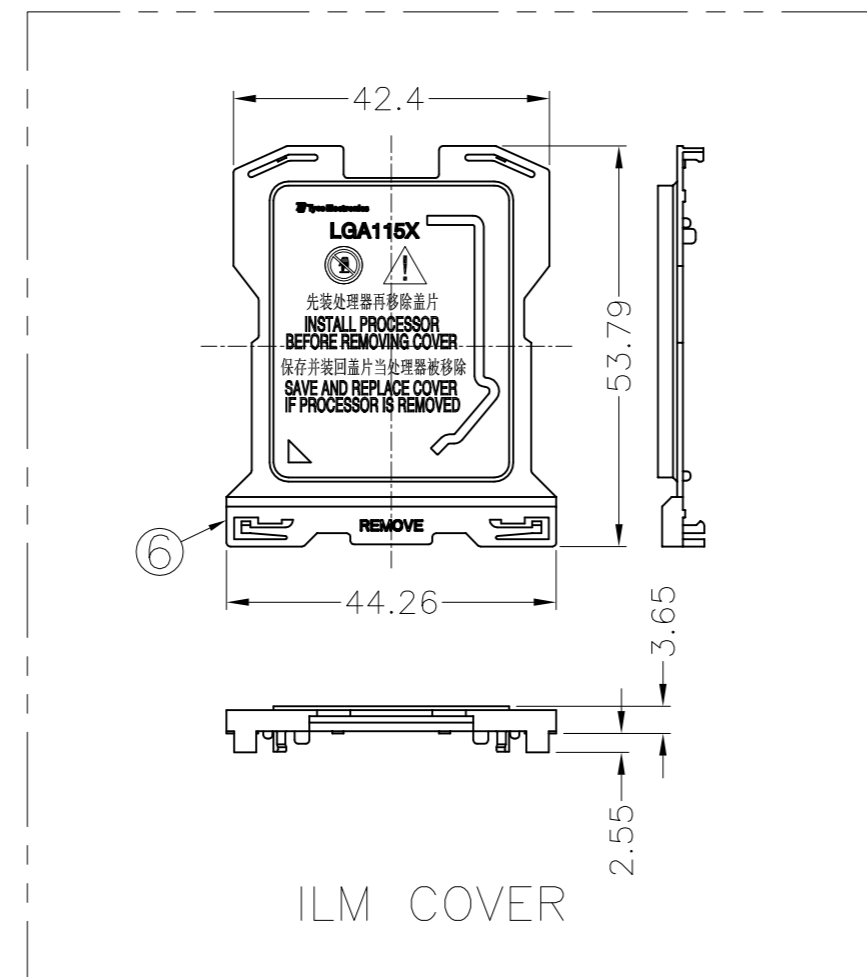
2013882-7 AS SHOWN WITH ILM COVER  
 OTHERWISE SPECIFIED DIMENSIONS ARE SAME WITH -6



3D VIEW FOR ILM ASSY WITHOUT COVER (REFERENCE)



3D VIEW FOR ILM ASSY W/COVER (REFERENCE)



ILM COVER

NOTE(APPLIED TO SHEET 2 OF 2):

- MATERIAL
  - ① FRAME: STEEL  
FINISH: Ni PLATING
  - ② LOAD PLATE: STAINLESS STEEL
  - ③ LEVER: SUS304, 2.1 DIA
  - ④ INSULATOR: POLYCARBONATE FILM PLUS ACRYLIC ADHESIVE LAYER
  - ⑤ ILM SCREW: STEEL  
FINISH: Ni PLATING
  - ⑥ ILM COVER: THERMO-PLASTIC, UL94 V-2, BLACK
- APPLICABLE SOCKET P/N: 2040540 / 2069965 / 2134928 SERIES
- INDICATED DATE CODE ON THE LOAD PLATE
- ILM ASSY AND SCREW ARE PACKED IN A BOX SEPARATELY

THIS DRAWING IS A CONTROLLED DOCUMENT.		DWN	TE Connectivity	
DIMENSIONS: 单位: 毫米 mm		CHK	NAME 名称	
TOLERANCES UNLESS OTHERWISE SPECIFIED: 一般公差		APVD	ILM ASSY LGA115X	
0-PLC ±0.3		PRODUCT SPEC	SIZE	CAGE CODE
1-PLC ±		製品规格	A2	00779
2-PLC ±		APPLICATION SPEC	DRAWING NO 番号	
3-PLC ±		取付適用规格	G-2013882	
4-PLC ±		WEIGHT	RESTRICTED TO	
ANGLES		SEE TABLE	-	
FINISH 仕上		CUSTOMER DRAWING	SCALE 尺度	SHEET 2 of 2
			NTS	REV G