

4

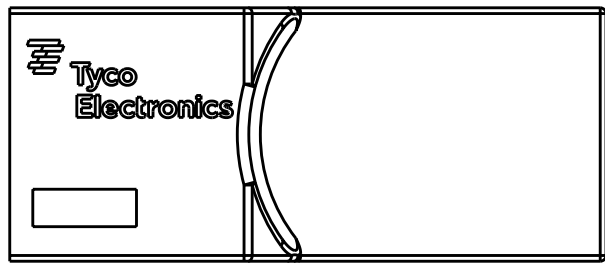
3

2

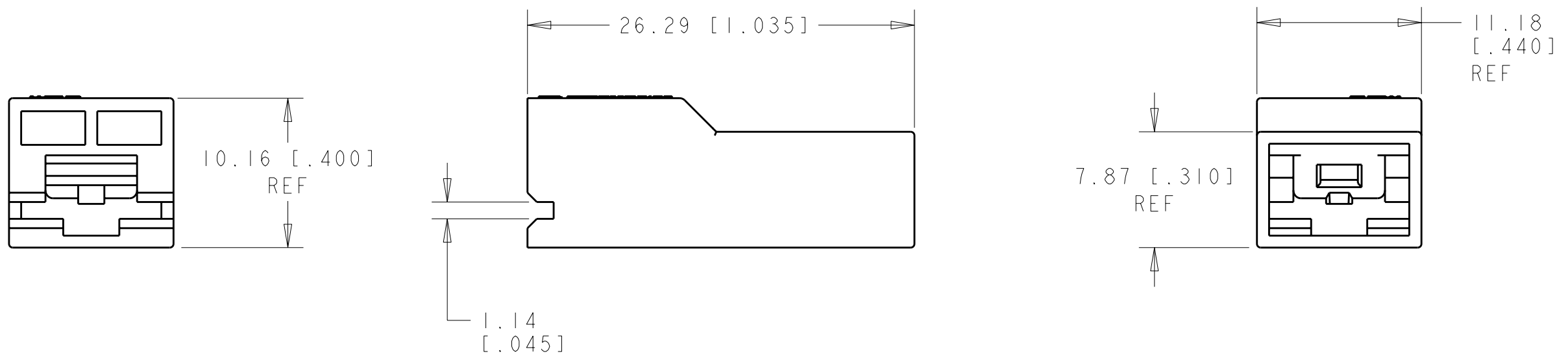
1

THIS DRAWING IS UNPUBLISHED. RELEASED FOR PUBLICATION 20
 © COPYRIGHT 20 BY TYCO ELECTRONICS CORPORATION. ALL RIGHTS RESERVED.

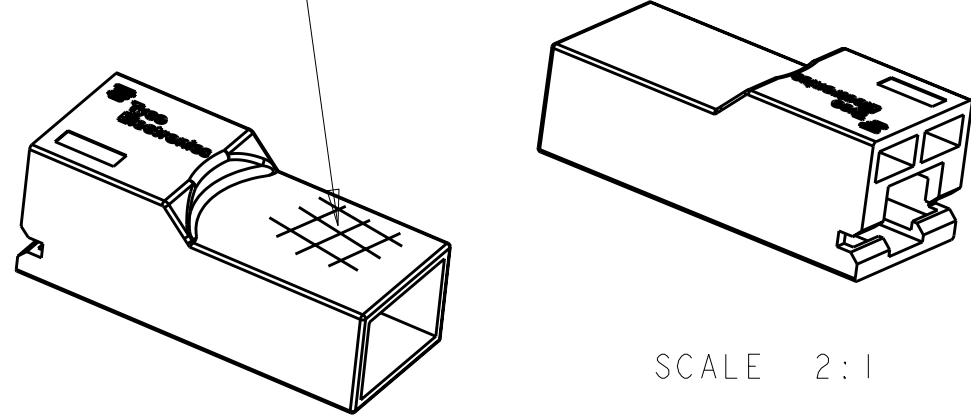
LOC	DIST	REVISIONS			
P	LTR	DESCRIPTION	DATE	DWN	APVD
AF	50	B2	REVISED PER ECR-09-021124	06OCT2009	HMR PD



- △1 66 NYLON, V0, NO DRIP
- △2 6/6 NYLON, V2



FROSTED SURFACE



SCALE 2:1

SCALE 2:1

NATURAL	△2	1969186-2
BLACK	△1	1969186-1
COLOR	MATERIAL	PART NO.

<small>THIS DRAWING IS A CONTROLLED DOCUMENT FOR TYCO ELECTRONICS CORPORATION. IT IS SUBJECT TO CHANGE AND THE CONTROLLING ENGINEERING ORGANIZATION SHOULD BE CONTACTED FOR THE LATEST REVISION.</small>		DWN JR RUTH 23JAN2008 CHK PETE DESANTIS 23JAN2008 APVD PETE DESANTIS 23JAN2008		Tyco Electronics Harrisburg, PA 17105-3608	
DIMENSIONS: mm [INCHES]		TOLERANCES UNLESS OTHERWISE SPECIFIED: 0 PLC ±- 1 PLC ±- 2 PLC ±0.25 [.010] 3 PLC ±- 4 PLC ±- ANGLES ±-		NAME HOUSING, RECEPTACLE, FASTON, 7.92 [.312] SERIES	
MATERIAL SEE TABLE		FINISH SEE TABLE		PRODUCT SPEC - APPLICATION SPEC - WEIGHT -	
		CUSTOMER DRAWING		SIZE A3 CAGE CODE 00779 DRAWING NO C-1969186	RESTRICTED TO - SCALE 3:1 SHEET 1 OF 1 REV B2