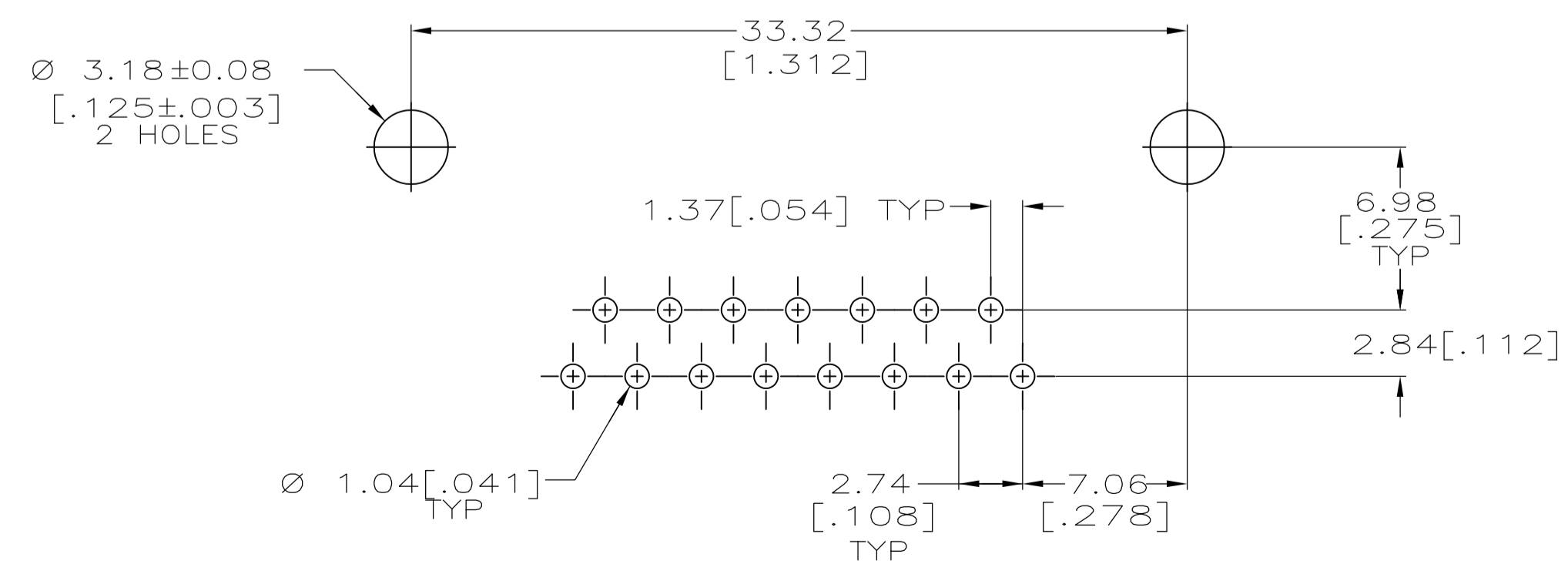
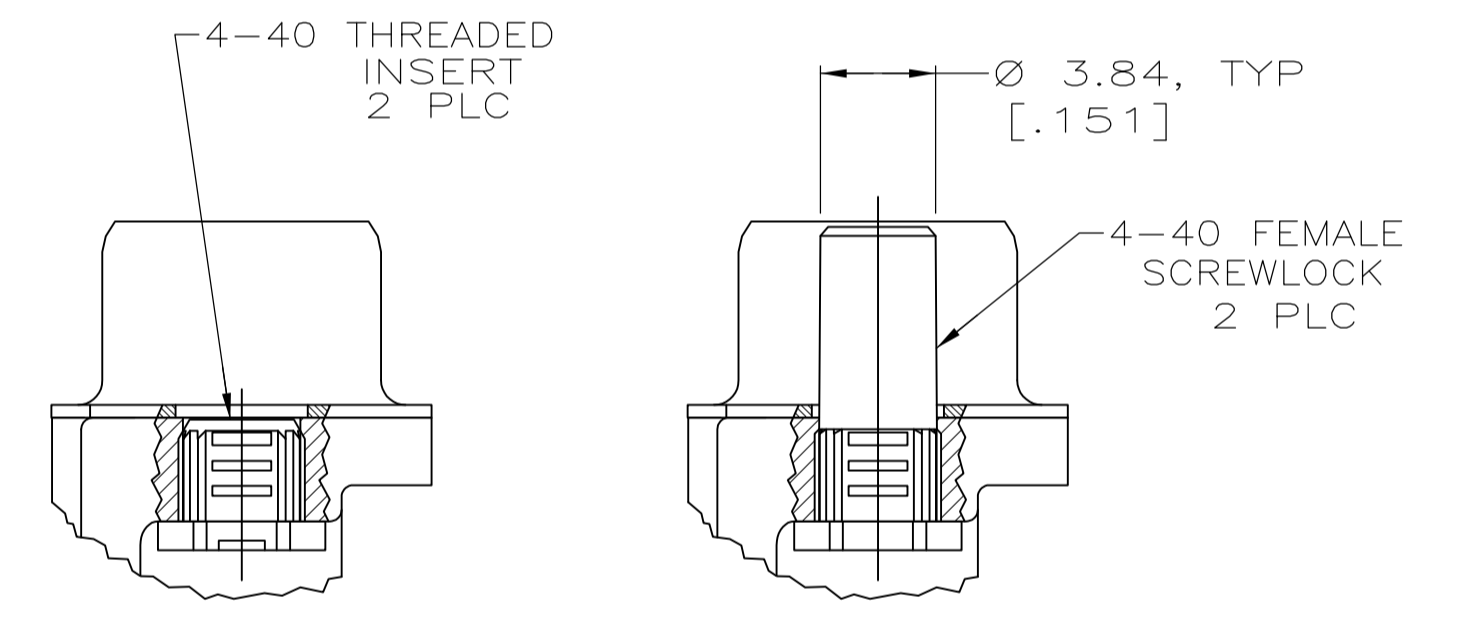
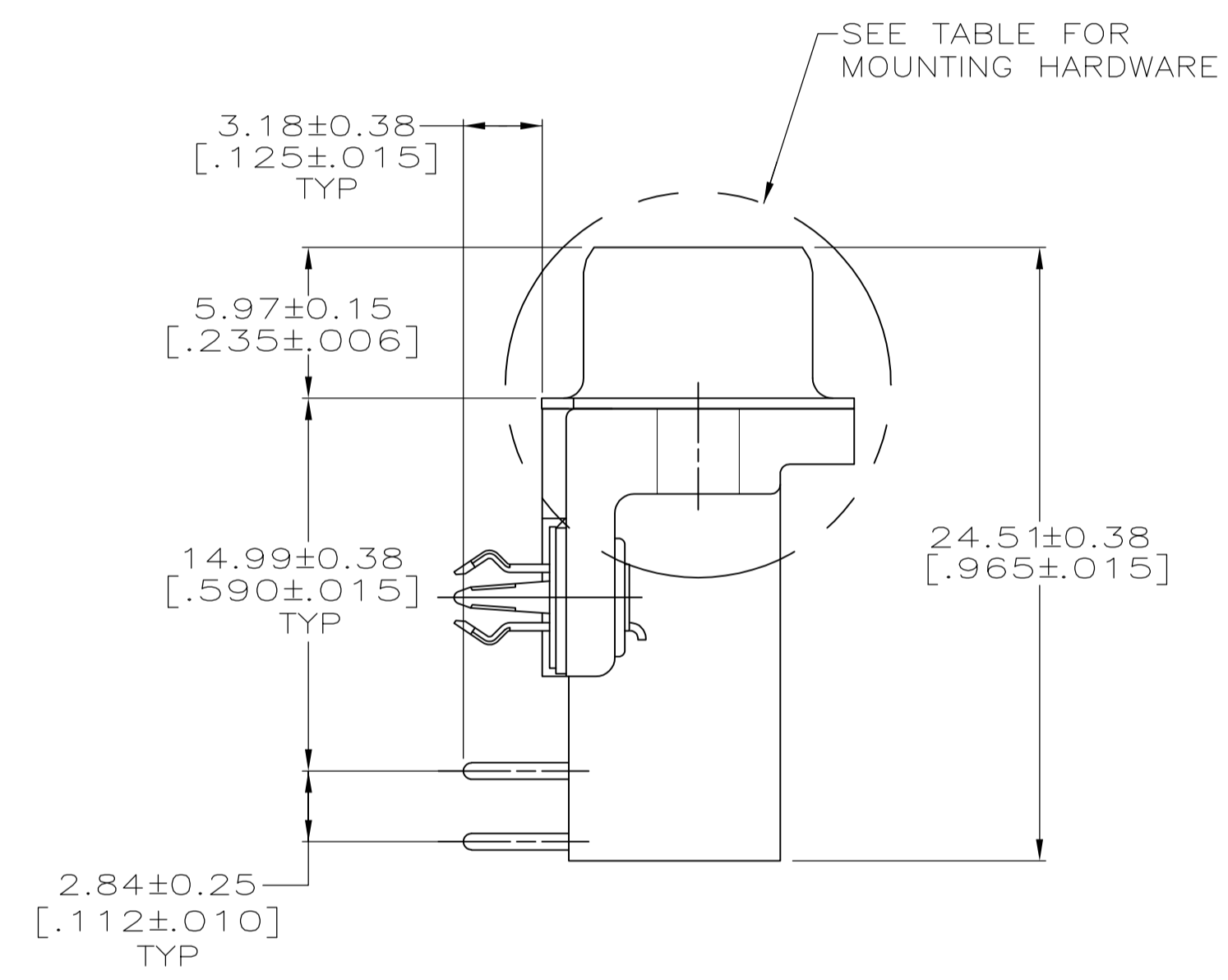
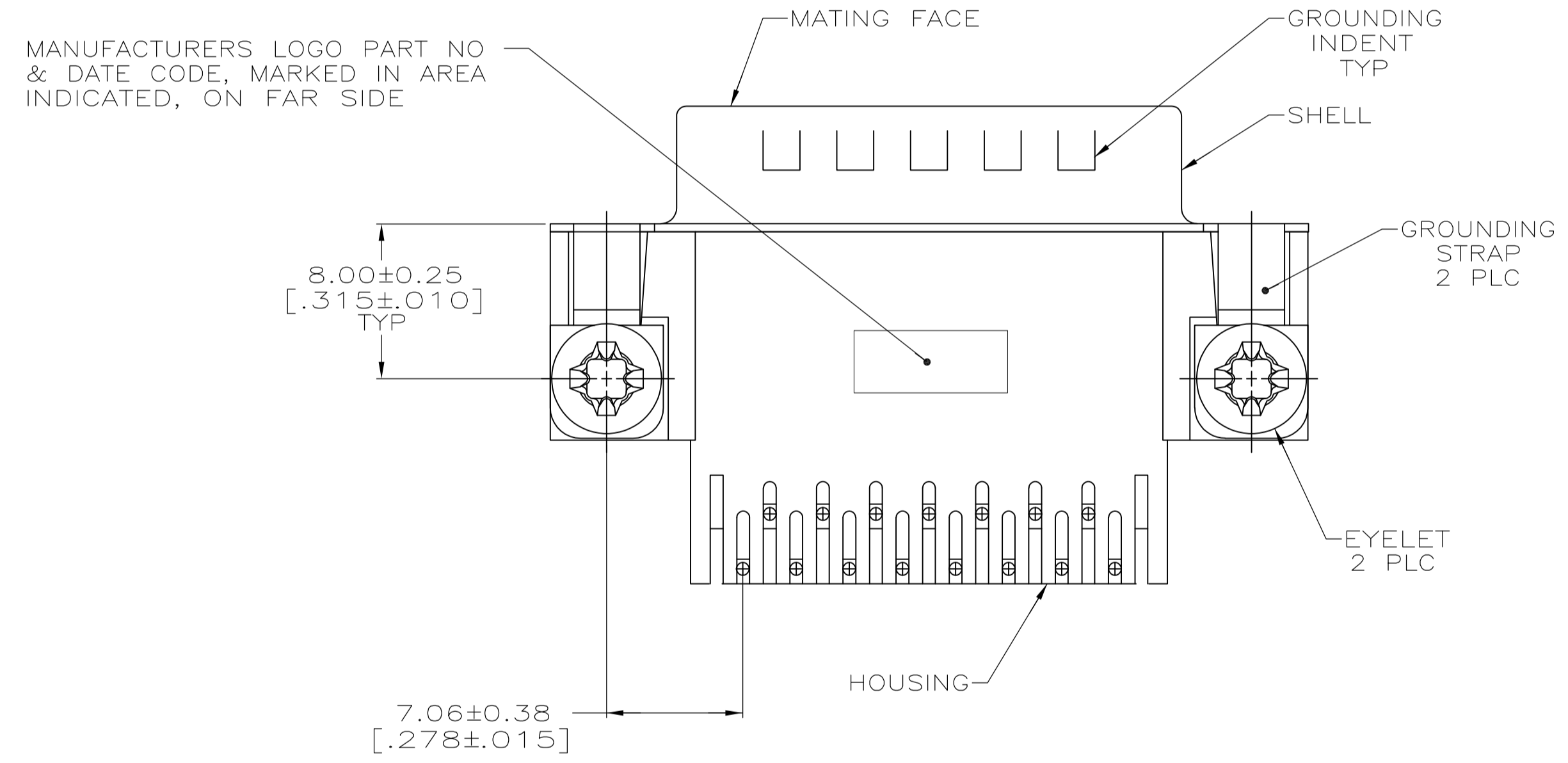
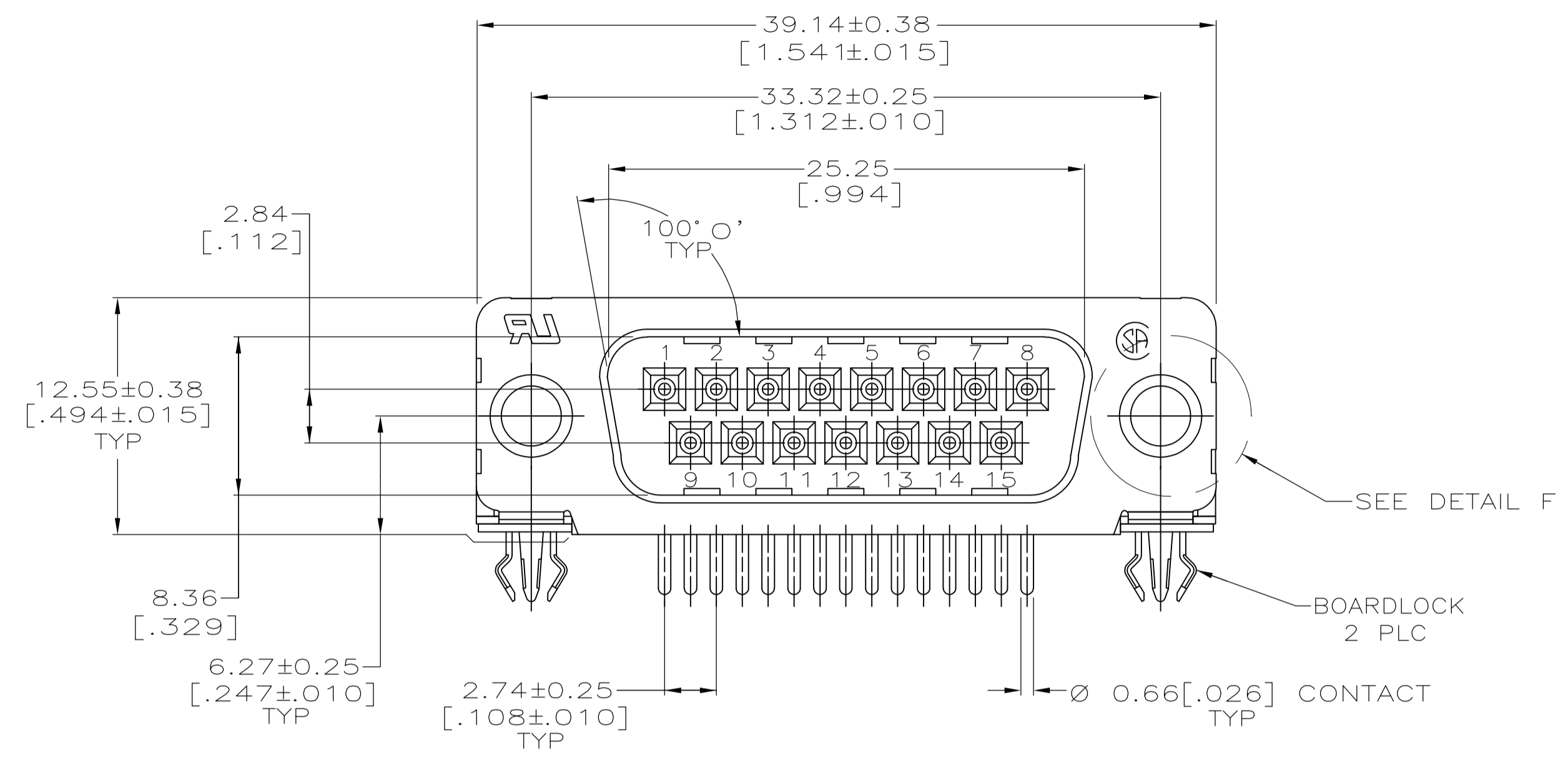


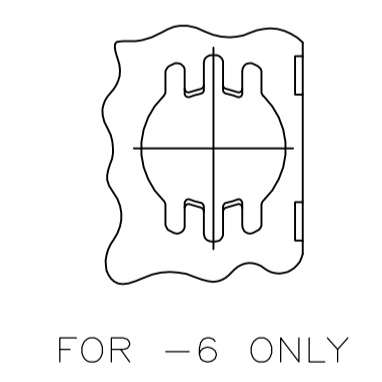
LOC		DIST		REVISIONS			
P	LTR	DESCRIPTION	DATE	DN	APVD		
B		REVISED PER ECO-11-009374	23MAY2011	CJV	SLB		



P.C. BOARD MOUNTING DIMENSIONS  
P.C. BOARD THICKNESS: 1.57 [.062]

- 1 HOUSING: NYLON OR POLYESTER, FLAME RETARDANT, UL 94V-0 RATED, GLASS FILLED, BLACK.
- CONTACTS: BRASS
- SHELL: CARBON STEEL
- EYELETS: BRASS
- SCREWLOCKS & INSERTS: ZINC
- BOARDLOCKS: COPPER ALLOY

- 2 SHELL: 2.54µm [.000100] MIN TIN OVER 1.27µm [.000050] MIN COPPER.
- EYELETS: 2.54µm [.000100] MIN TIN OVER COPPER FLASH.
- BOARDLOCKS: 3.81µm [.000150] MIN TIN OVER 1.27µm [.000050] MIN NICKEL.
- CONTACTS: 0.76µm [.000030] MIN GOLD PLATE ON THE MATING SURFACES, 2.54µm [.000100] MIN TIN PLATE ON THE SOLDER END, 1.27µm [.000050] MIN NICKEL UNDERPLATE ON THE ENTIRE CONTACT
- OR-
- GOLD FLASH OVER PALLADIUM-NICKEL PLATE, 0.76µm [.000030] MIN TOTAL ON THE MATING SURFACES, 2.54µm [.000100] MIN TIN PLATE ON THE SOLDER END, 1.27µm [.000050] MIN NICKEL UNDERPLATE ON THE ENTIRE CONTACT.



FOR -6 ONLY

DETAIL F  
2 PLC

SEE DETAIL E	5747833-6
SEE DETAIL D	5747833-4
MOUNTING HARDWARE	PART NUMBER

THIS DRAWING IS A CONTROLLED DOCUMENT.		DIN 04-11-05		G. ATTADIA - DOCKS	
DIMENSIONS: mm [INCHES]		TOLERANCES UNLESS OTHERWISE SPECIFIED:		APVD M. WALMSLEY 04-11-05	
0 PLC ± -		1 PLC ± -		NAME	
2 PLC ± -		3 PLC ± 0.13 [.005]		PLUG ASSEMBLY, SIZE 2, 15 POSITION, RIGHT ANGLE, FRONT METAL SHELL.	
4 PLC ± -		ANGLES ± 2°		PRODUCT SPEC	
MATERIAL		FINISH		APPLICATION SPEC	
WEIGHT		SIZE		CAGE CODE	
CUSTOMER DRAWING		DRAWING NO		RESTRICTED TO	
SCALE 4:1		SHEET 1 OF 1		REV B	

**COPYRIGHT 2005**  
**TYCO ELECTRONICS CORP**  
**ALL RIGHTS RESERVED**