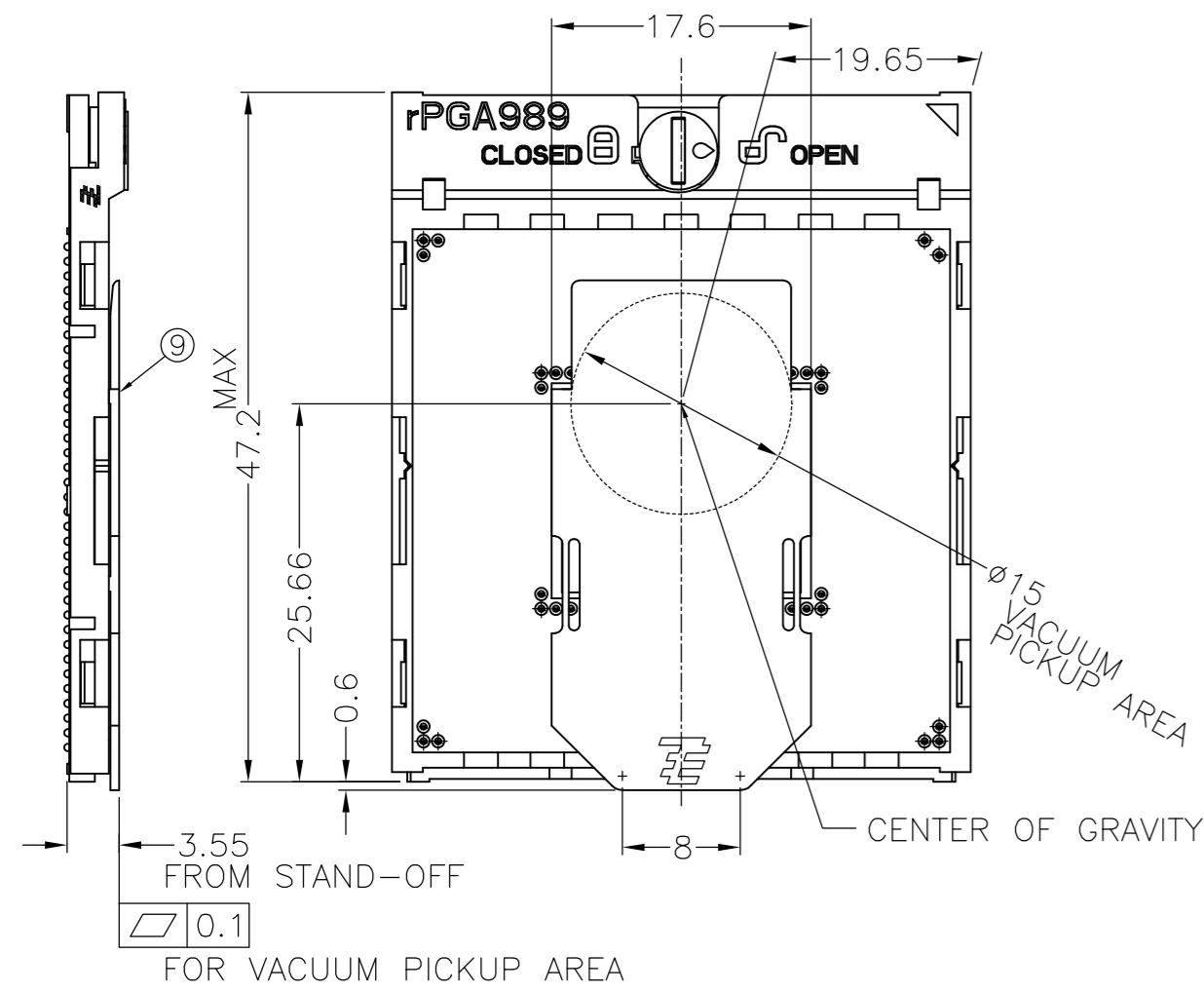
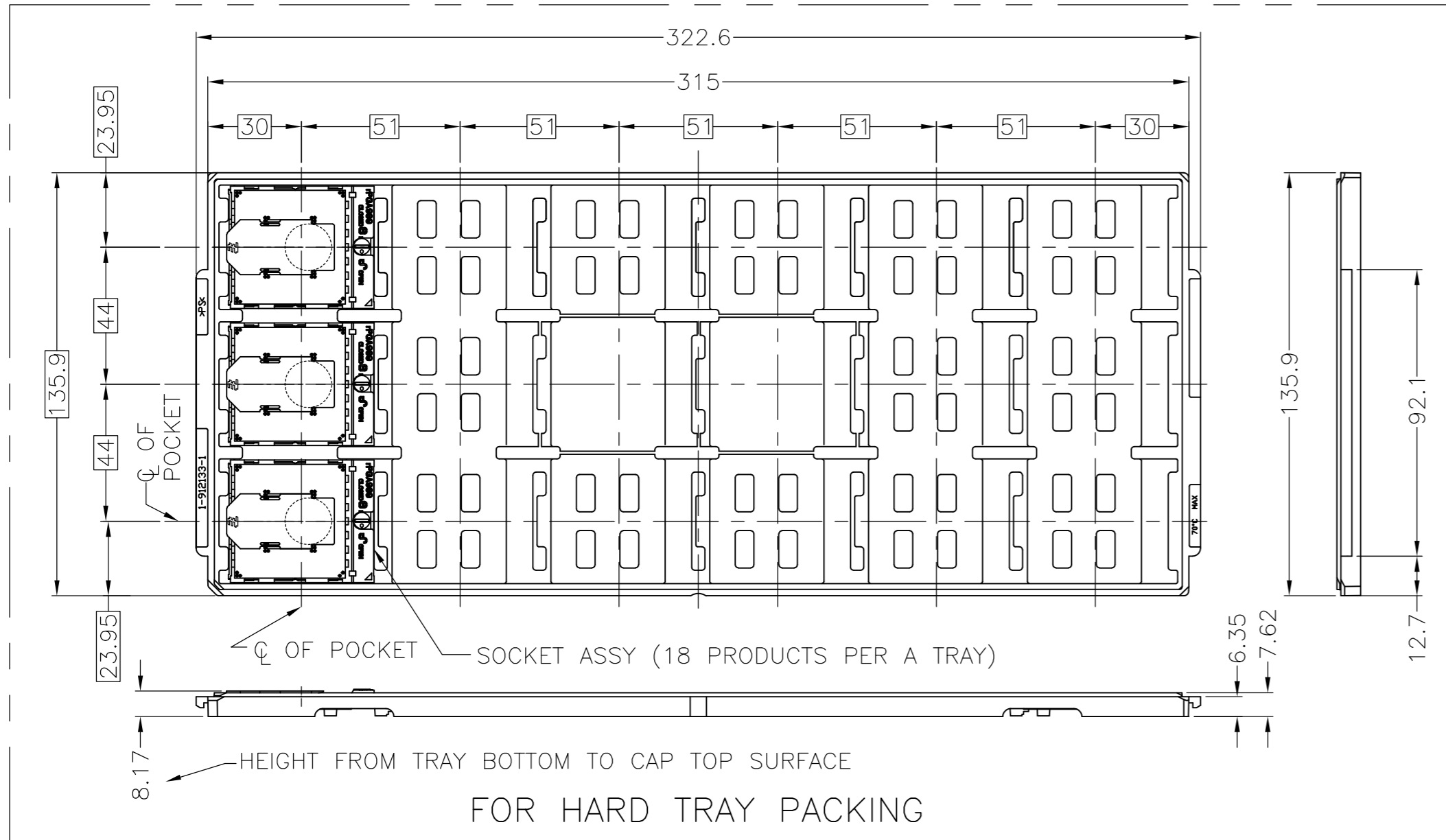
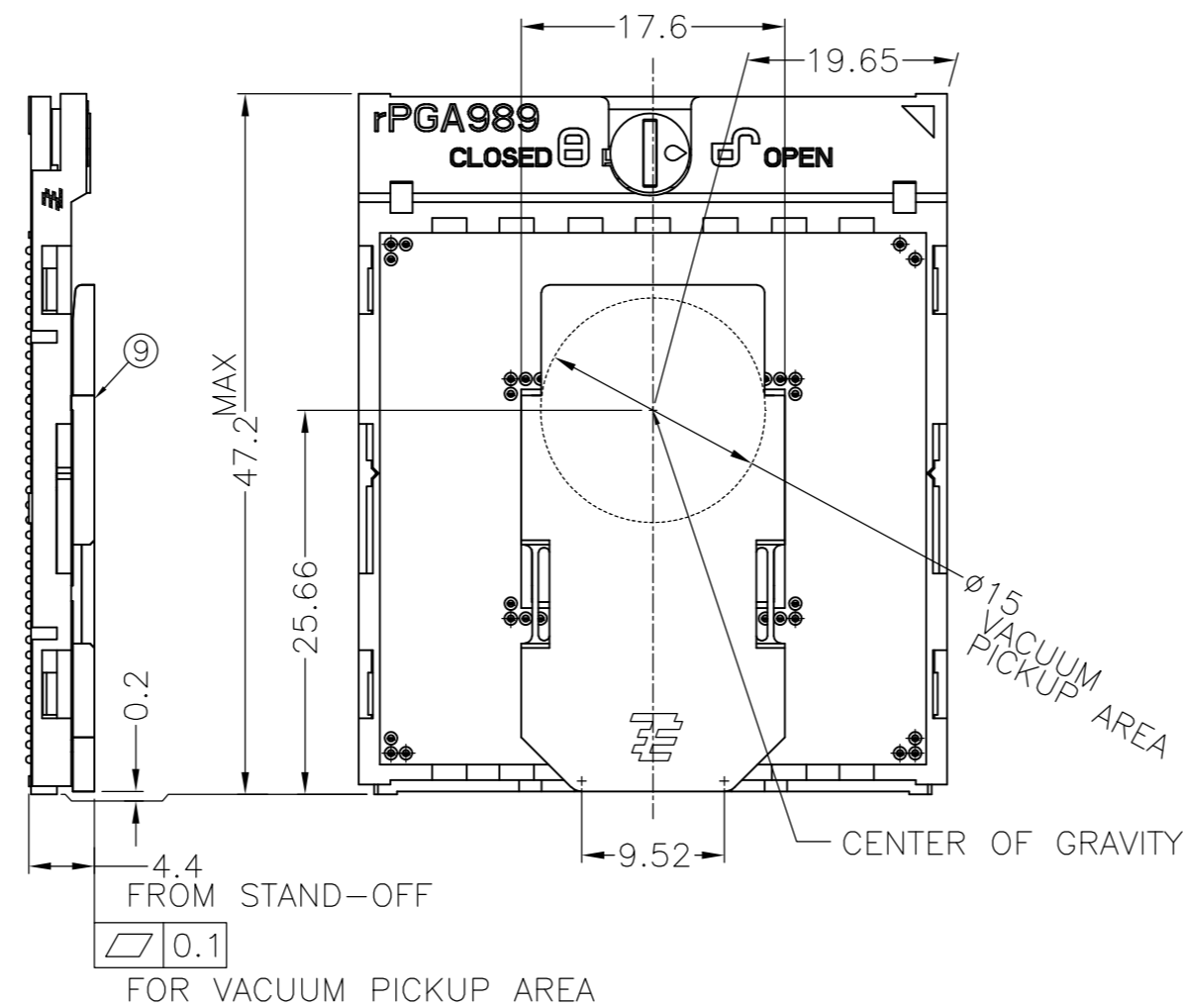


THIS DRAWING IS UNPUBLISHED. RELEASED FOR PUBLICATION
 © COPYRIGHT - By Tyco Electronics Japan G.K. ALL RIGHTS RESERVED.

LOC		DIST		REVISIONS			
P	LTR	DESCRIPTION		DATE	DWN	APVD	
		E2	REVISED	15MAR'11	Y.T	T.N	



STANDARD (STD) CAP TYPE



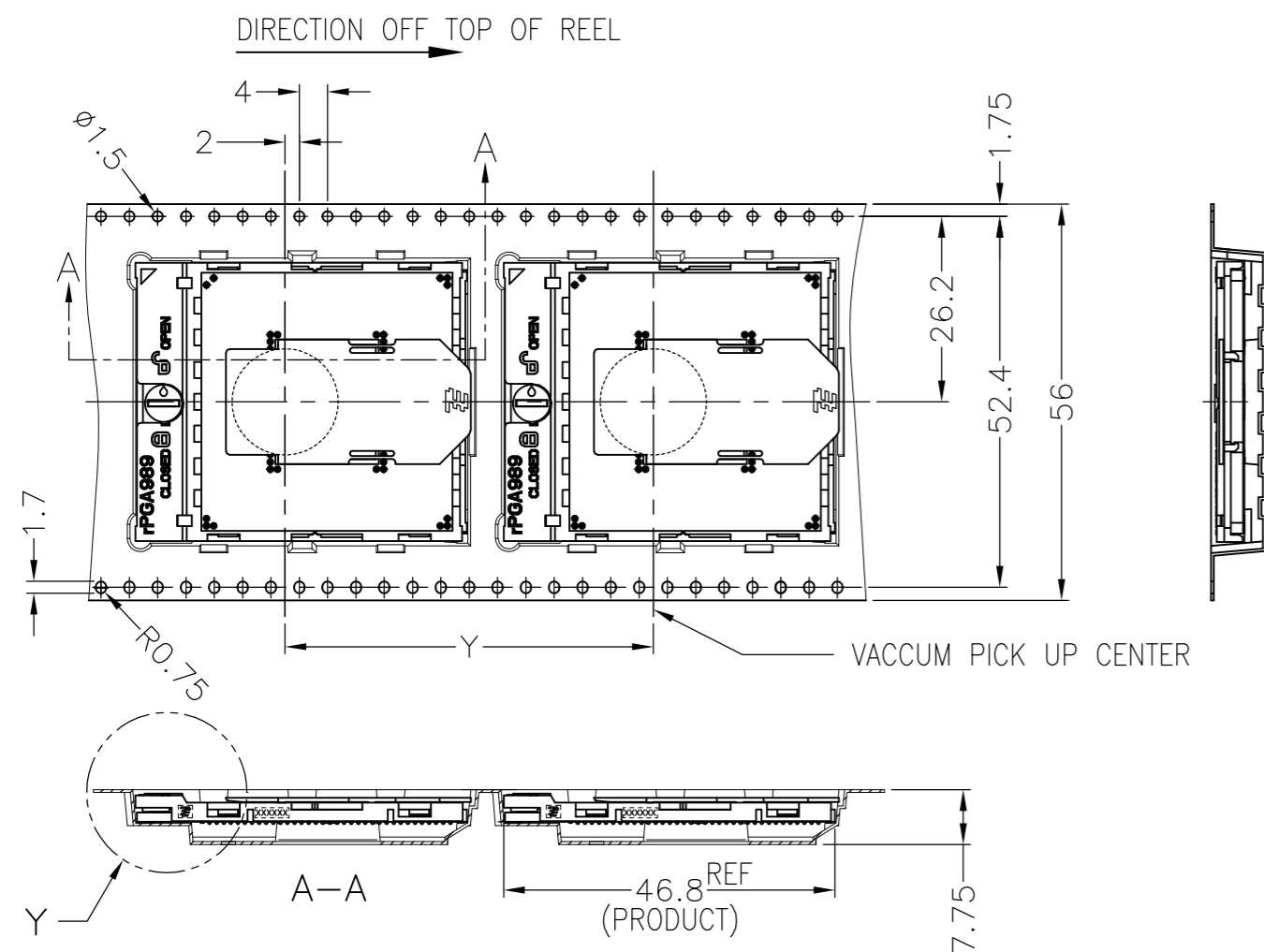
RAISED CAP TYPE

CAP ASSY CONDITION

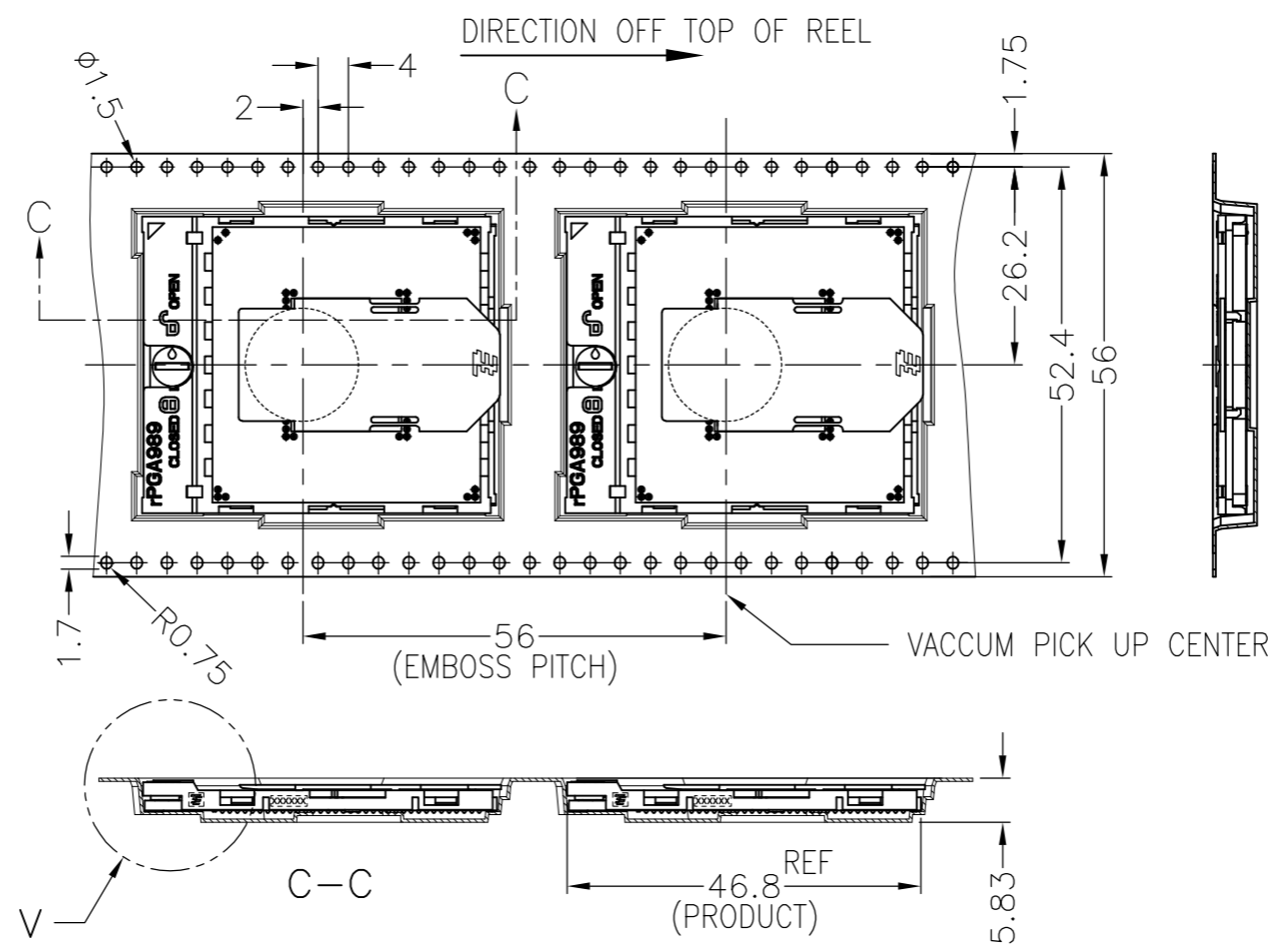
THIS DRAWING IS A CONTROLLED DOCUMENT.		DWN T.TOKUNAGA 22MAY2009		
DIMENSIONS: 単位: 寸 mm		CHK H.TAGUCHI 22MAY2009		
TOLERANCES UNLESS OTHERWISE SPECIFIED: 一般公差		APVD T.NAKASHIMA 22MAY2009	NAME SOCKET ASSY rPGA989 & rPGA988X	
		PRODUCT SPEC 製品規格 108-78587	SIZE A2	CAGE CODE 00779
MATERIAL 材料 SEE NOTE		APPLICATION SPEC 取付適用規格 114-5445	DRAWING NO 番号 C=2013620	RESTRICTED TO —
FINISH 仕上 SEE NOTE		WEIGHT SEE SHEET 4 OF 7	SCALE 尺度 NTS	SHEET 1 OF 7
		CUSTOMER DRAWING	REV E2	

THIS DRAWING IS UNPUBLISHED. RELEASED FOR PUBLICATION
 © COPYRIGHT - By Tyco Electronics Japan G.K. ALL RIGHTS RESERVED.

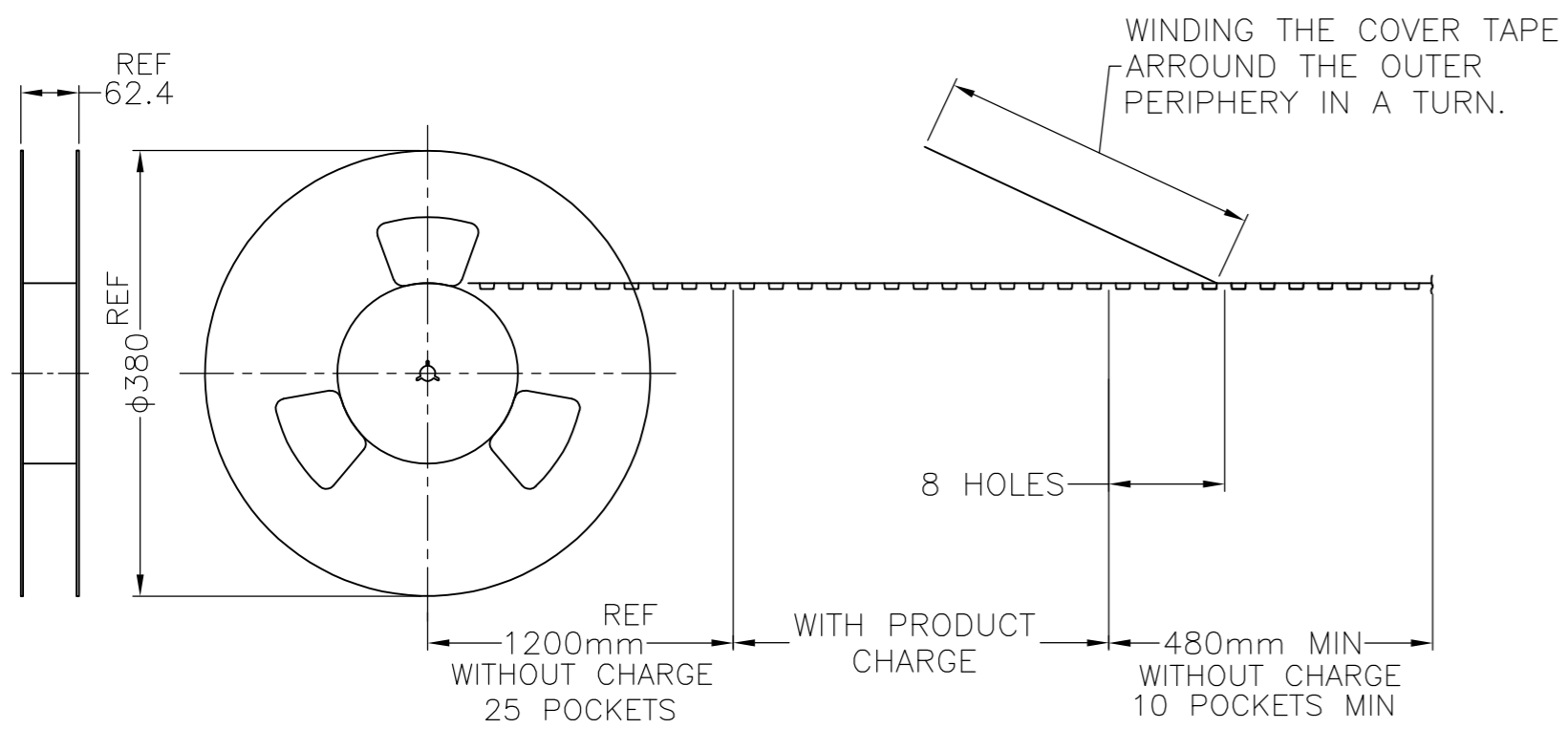
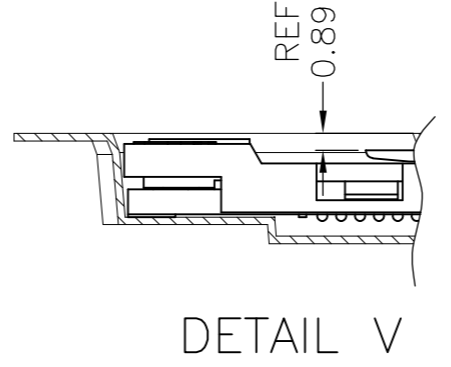
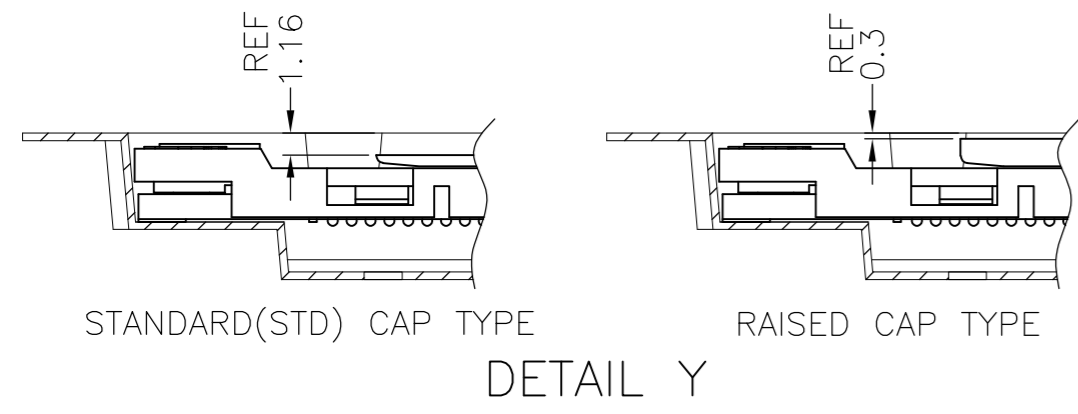
LOC		DIST		REVISIONS			DATE	DWN	APVD
P	LTR	DESCRIPTION							
-	-	SEE SHEET 1			-	-	-	-	



FOR EMBOSS PACKING
 120PCS/REEL AND 160PCS/REEL
 (REFERENCE)



FOR EMBOSS PACKING
 180PCS/REEL
 (REFERENCE)

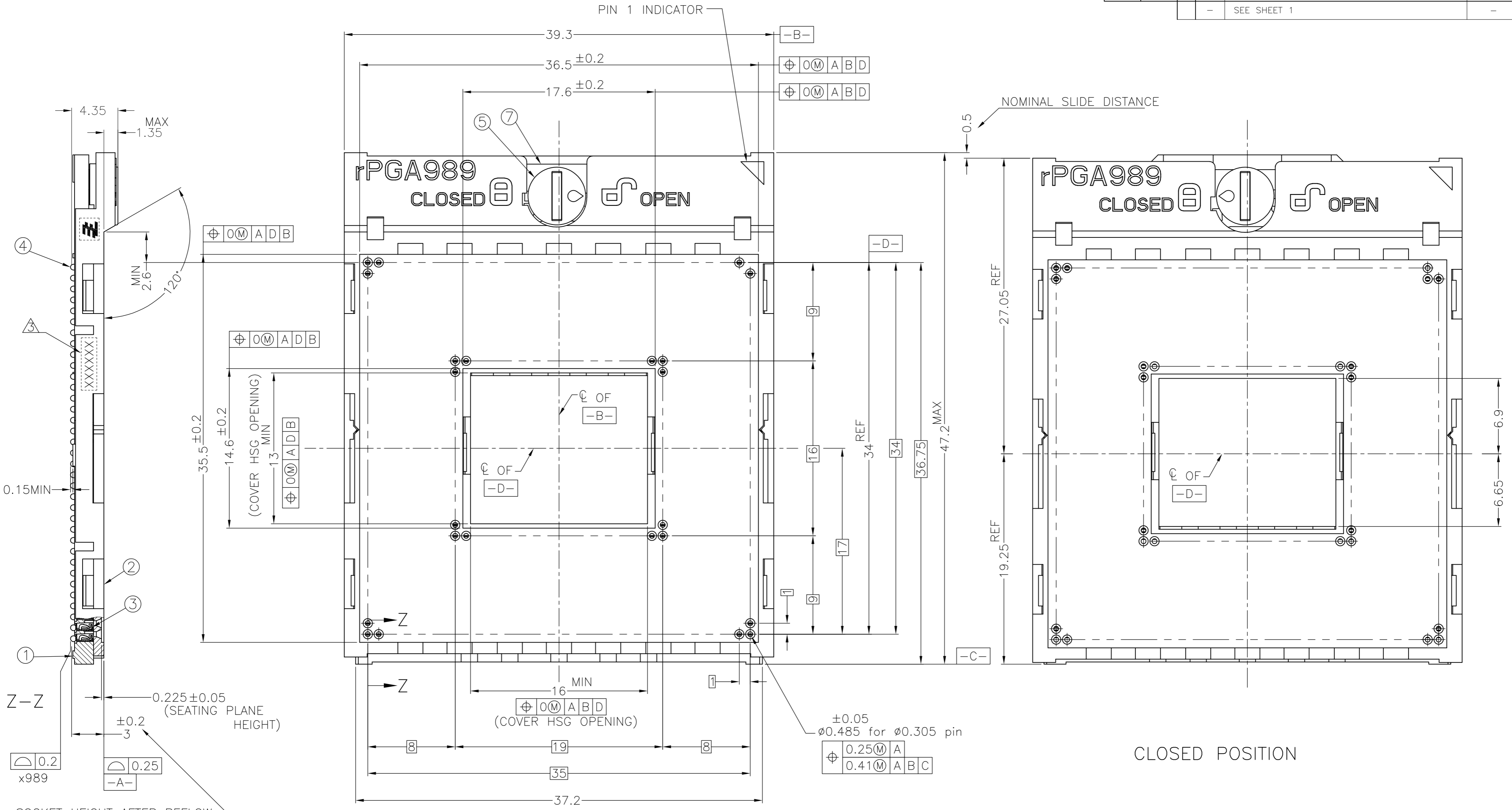


FOR TAPE & REEL PACKING

THIS DRAWING IS A CONTROLLED DOCUMENT.		DWN			
DIMENSIONS: 単位: 寸 mm		CHK			
TOLERANCES UNLESS OTHERWISE SPECIFIED: 一般公差		APVD	NAME 名称		
0-PLC ±0.3 1-PLC ±0.3 2-PLC ±0.3 3-PLC ±0.3 4-PLC ±0.3 ANGLES ±1°		PRODUCT SPEC 製品規格	SOCKET ASSY rPGA989 & rPGA988X		
MATERIAL 材料		FINISH 仕上	APPLICATION SPEC 取付適用規格	SIZE A2	CAGE CODE 00779
			WEIGHT	DRAWING NO 番号 C=2013620	RESTRICTED TO
			CUSTOMER DRAWING	SCALE 尺度 NTS	SHEET 2 OF 7
				REV E2	

THIS DRAWING IS UNPUBLISHED. RELEASED FOR PUBLICATION
 © COPYRIGHT - By Tyco Electronics Japan G.K. ALL RIGHTS RESERVED.

LOC		DIST		REVISIONS			
P	LTR	DESCRIPTION		DATE	DWN	APVD	
-	-	SEE SHEET 1		-	-	-	



1. MATERIAL

- ① BASE HOUSING : HIGH TEMP, THERMOPLASTIC, UL94V-0
 - ② COVER HOUSING : HIGH TEMP, THERMOPLASTIC, UL94V-0
 - ③ CONTACT : COPPER ALLOY
FINISH : 0.00038 MIN Au PL. AT CONTACT AREA ON ALL OVER Ni UNDER PL. 0.00127 MIN.
 - ④ SOLDER BALL : Sn/Ag/Cu
 - ⑤ CAM : STAINLESS STEEL
 - ⑥ BASE PLATE : STAINLESS STEEL
 - ⑦ SLIDE PLATE : STAINLESS STEEL
 - ⑧ WASHER : STAINLESS STEEL
FINISH : W/O PL. FOR 2013620-1
W/O PL. OR BLACK Ni PL. FOR OTHERS
 - ⑨ PnP CAP : HIGH TEMP, THERMOPLASTIC, UL94V-0, BLACK
- △ CAM OPERATION ANGLE : 180DEG
 △ INDICATED DATE CODE ON THE HSG

rPGA989 AS SHOWN
 CAP IS REMOVED

THIS DRAWING IS A CONTROLLED DOCUMENT.		DWN	TE Connectivity	
DIMENSIONS: 単位: 寸 mm		CHK	NAME 名称	
TOLERANCES UNLESS OTHERWISE SPECIFIED: 一般公差		APVD	PRODUCT SPEC 製品規格	
①-PLC ± 0.3		APPLICATION SPEC 取付適用規格		
②-PLC ± 0.3		WEIGHT	SIZE A2	CAGE CODE 00779
③-PLC ± 0.3		DRAWING NO. 番号 C=2013620		
④-PLC ± 0.3		RESTRICTED TO		
ANGLES ±		SCALE 尺度 4:1		
FINISH 仕上		SHEET 3 OF 7		
MATERIAL 材料		REV E2		
CUSTOMER DRAWING				

THIS DRAWING IS UNPUBLISHED. RELEASED FOR PUBLICATION
 © COPYRIGHT - By Tyco Electronics Japan G.K. ALL RIGHTS RESERVED.

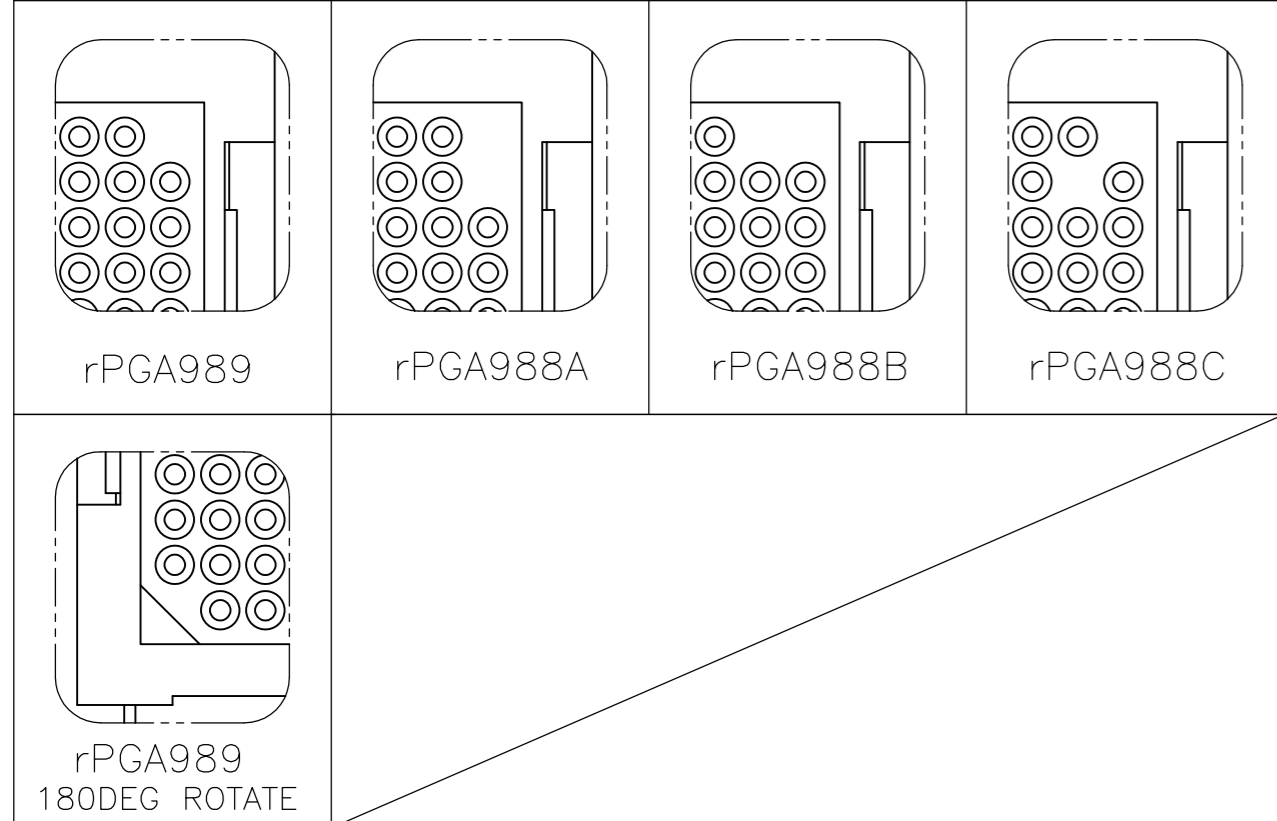
LOC		DIST		REVISIONS			
P	LTR	DESCRIPTION	DATE	DWN	APVD		
-	-	SEE SHEET 1	-	-	-		

PRODUCT TOP VIEW (WITHOUT CAP)

PRODUCT BOTTOM VIEW

PACKAGE ORIENTATION	rPGA989	rPGA988A	rPGA988B	rPGA988C	rPGA989/988A/988B/988C
STANDARD	 989 COVER HOLES 989 SOLDER BALLS	 988 COVER HOLES 989 SOLDER BALLS	 988 COVER HOLES 989 SOLDER BALLS	 988 COVER HOLES 989 SOLDER BALLS	 PIN 1 OMIT
180DEG ROTATE	 989 COVER HOLES 989 SOLDER BALLS				 PIN 1 OMIT

DETAIL Z
COVER HOLE CONFIGURATION



7.7	56	120	TAPE & REEL	STD	rPGA989 180DEG ROTATE	5-2013620-3
7.7	52	160	TAPE & REEL	STD	rPGA989 180DEG ROTATE	5-2013620-2
7.8	56	120	TAPE & REEL	RAISED	rPGA988B	4-2013620-5
7.8	56	120	TAPE & REEL	RAISED	rPGA988A	4-2013620-4
7.8	56	120	TAPE & REEL	RAISED	rPGA989	4-2013620-3
7.7	52	160	TAPE & REEL	STD	rPGA988C	N/A
7.7	56	120	TAPE & REEL	STD	rPGA988B	2-2013620-3
7.7	52	160	TAPE & REEL	STD	rPGA988B	2-2013620-2
7.7	56	120	TAPE & REEL	STD	rPGA988A	1-2013620-3
7.7	52	160	TAPE & REEL	STD	rPGA988A	1-2013620-2
7.7	56	180	TAPE & REEL	STD	rPGA989	2013620-4
7.7	56	120	TAPE & REEL	STD	rPGA989	2013620-3
7.7	52	160	TAPE & REEL	STD	rPGA989	2013620-2
7.7	18	18	HARD TRAY	STD	rPGA989	2013620-1
PRODUCT WEIGHT (g/SOCKET)	DIMENSION Y	SOCKET QTY PER TRAY OR REEL	PACKAGE TYPE	CAP TYPE	SOCKET TYPE	PART NO.

THIS DRAWING IS A CONTROLLED DOCUMENT. DWN: 01APR2008

DIMENSIONS: 単位: 寸 mm TOLERANCES UNLESS OTHERWISE SPECIFIED: 一般公差

0-PLC ±0.3
1-PLC ±0.3
2-PLC ±0.3
3-PLC ±0.3
4-PLC ±0.3
ANGLES ±

FINISH 仕上

TE Connectivity

SOCKET ASSY
rPGA989 & rPGA988X

NAME 名称

PRODUCT SPEC 製品規格

APPLICATION SPEC 取付適用規格

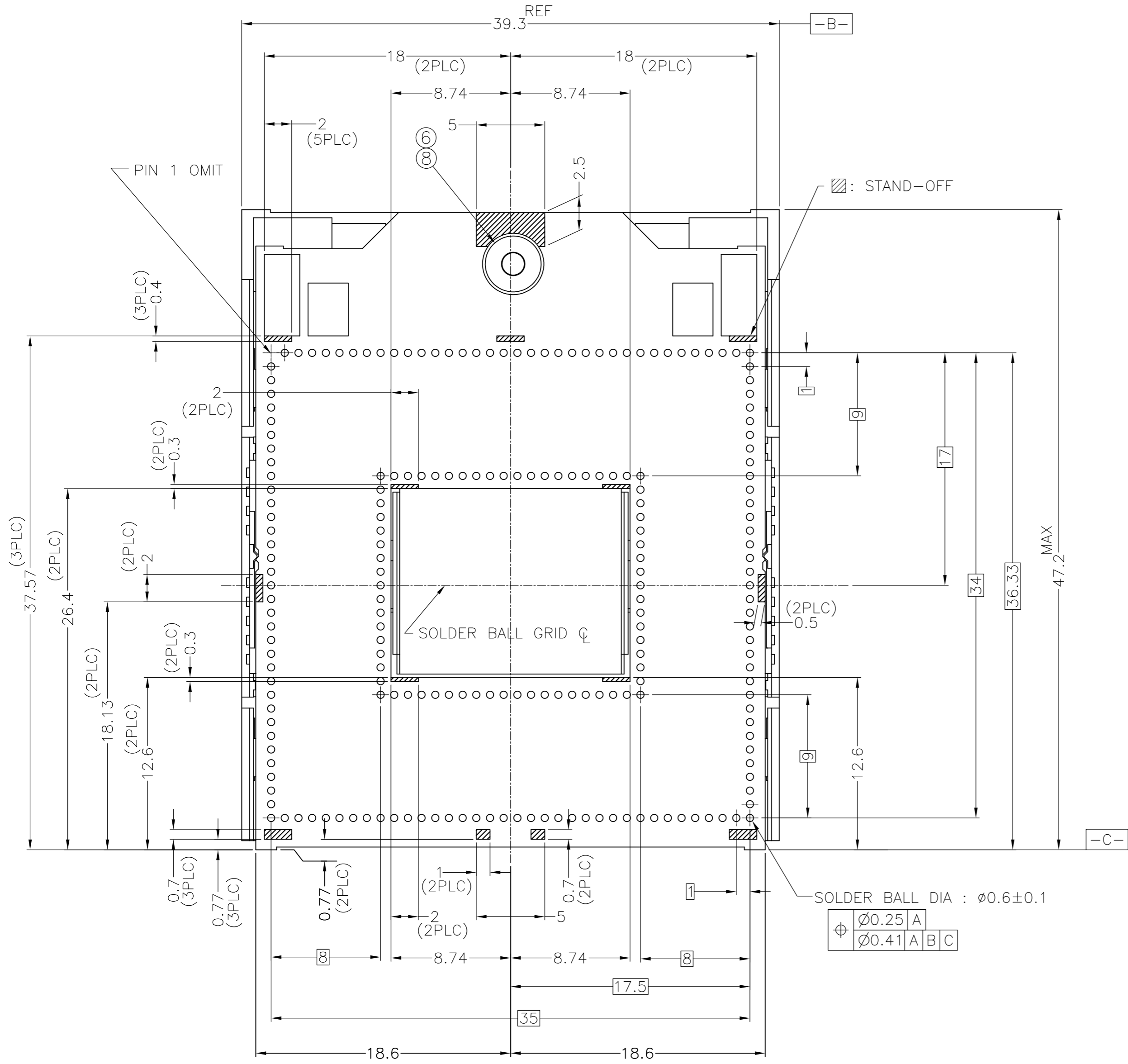
WEIGHT 重量

CUSTOMER DRAWING

SCALE 4:1 SHEET 4 OF 7 REV E2

SIZE A2 CAGE CODE 00779 DRAWING NO. 番号 C=2013620 RESTRICTED TO

LOC		DIST		REVISIONS			
P	LTR	DESCRIPTION	DATE	DWN	APVD		
-	-	SEE SHEET 1	-	-	-		



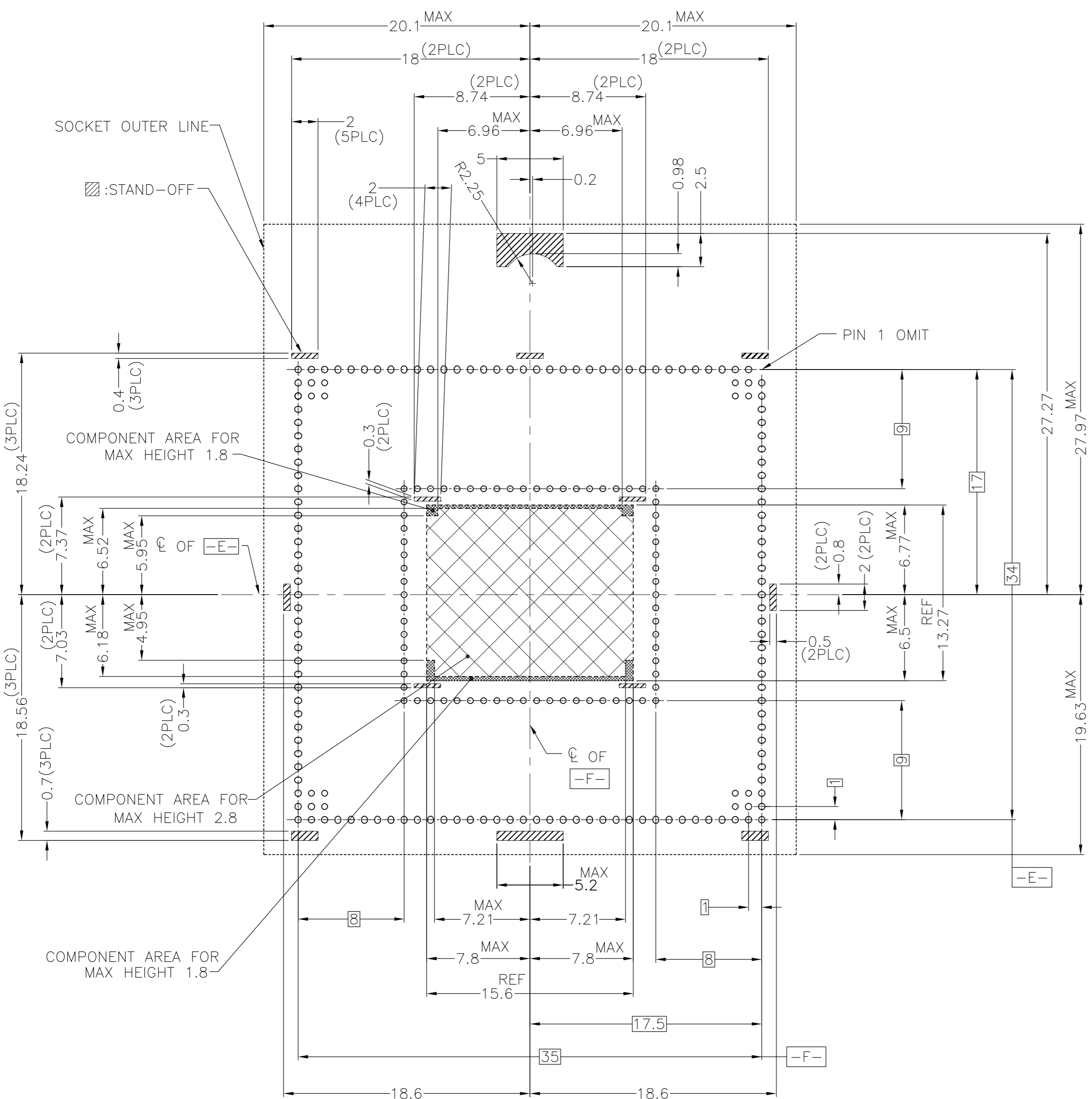
BOTTOM VIEW
(OPEN POSITION)

2013620-1 : AS SHOWN

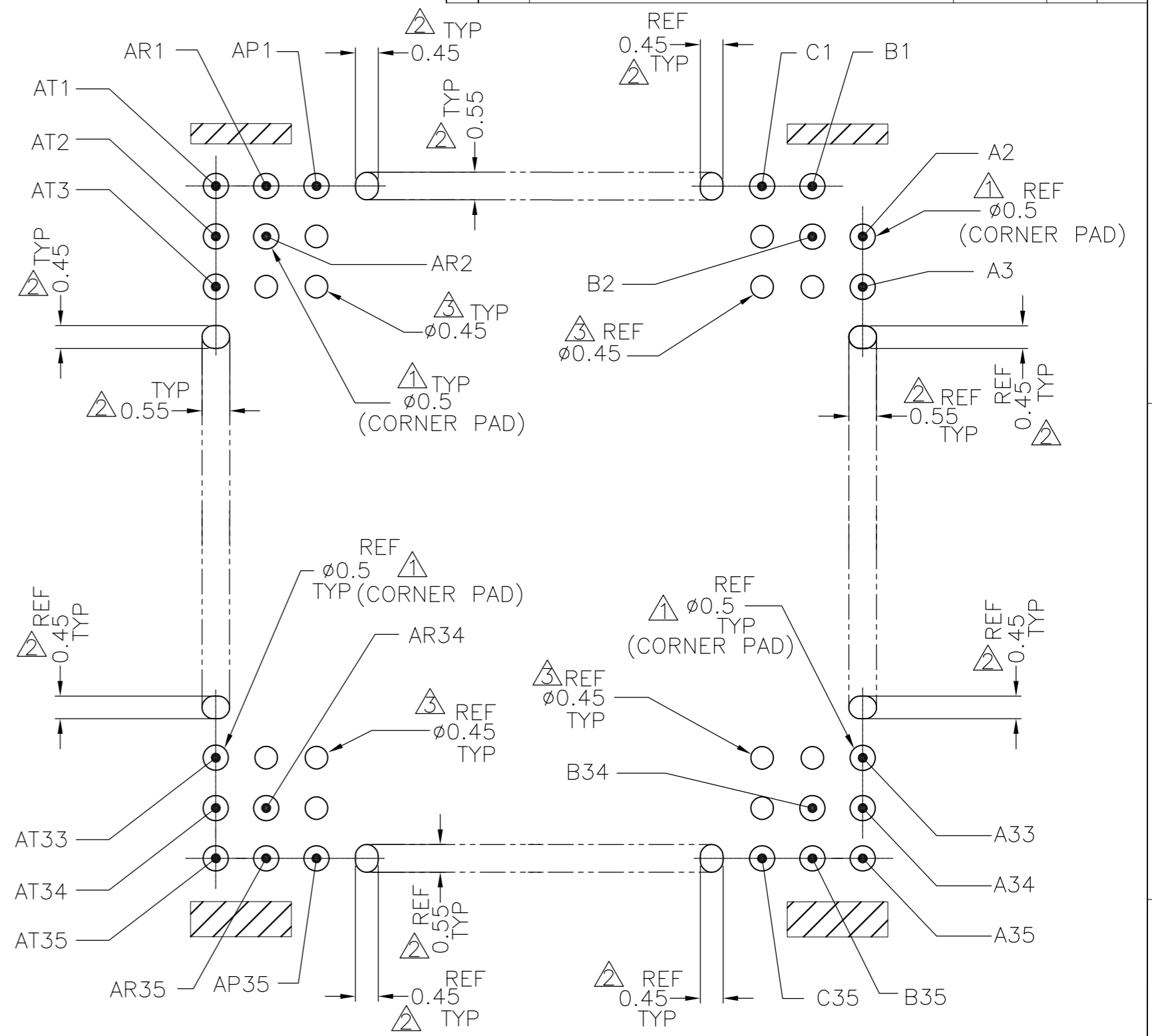
THIS DRAWING IS A CONTROLLED DOCUMENT.		DWN	01APR2008				NAME												
DIMENSIONS: 単位: 寸 mm		CHK					SOCKET ASSY		RESTRICTED TO										
TOLERANCES UNLESS OTHERWISE SPECIFIED: 一般公差		APVD			rPGA989 & rPGA988X														
<table border="1"> <tr><td>Ø-PLC</td><td>±0.3</td></tr> <tr><td>1-PLC</td><td>±0.3</td></tr> <tr><td>2-PLC</td><td>±0.3</td></tr> <tr><td>3-PLC</td><td>±0.3</td></tr> <tr><td>4-PLC</td><td>±0.3</td></tr> <tr><td>ANGLES</td><td>±</td></tr> </table>		Ø-PLC	±0.3	1-PLC	±0.3	2-PLC	±0.3	3-PLC	±0.3	4-PLC	±0.3	ANGLES	±	PRODUCT SPEC		SIZE		CAGE CODE	DRAWING NO
Ø-PLC	±0.3																		
1-PLC	±0.3																		
2-PLC	±0.3																		
3-PLC	±0.3																		
4-PLC	±0.3																		
ANGLES	±																		
MATERIAL		APPLICATION SPEC		A2		00779	2013620												
FINISH		取付適用規格		CUSTOMER DRAWING		SCALE	SHEET												
				4:1		5	7												
				REV		E2													

THIS DRAWING IS UNPUBLISHED. RELEASED FOR PUBLICATION
 © COPYRIGHT - By Tyco Electronics Japan G.K. ALL RIGHTS RESERVED.

Loc		DIST		REVISIONS			DATE	DWN	APVD
P	LTR	DESCRIPTION							
-	-	SEE SHEET 1			-	-	-	-	



PCB LAYOUT
 2013620-1 AS SHOWN



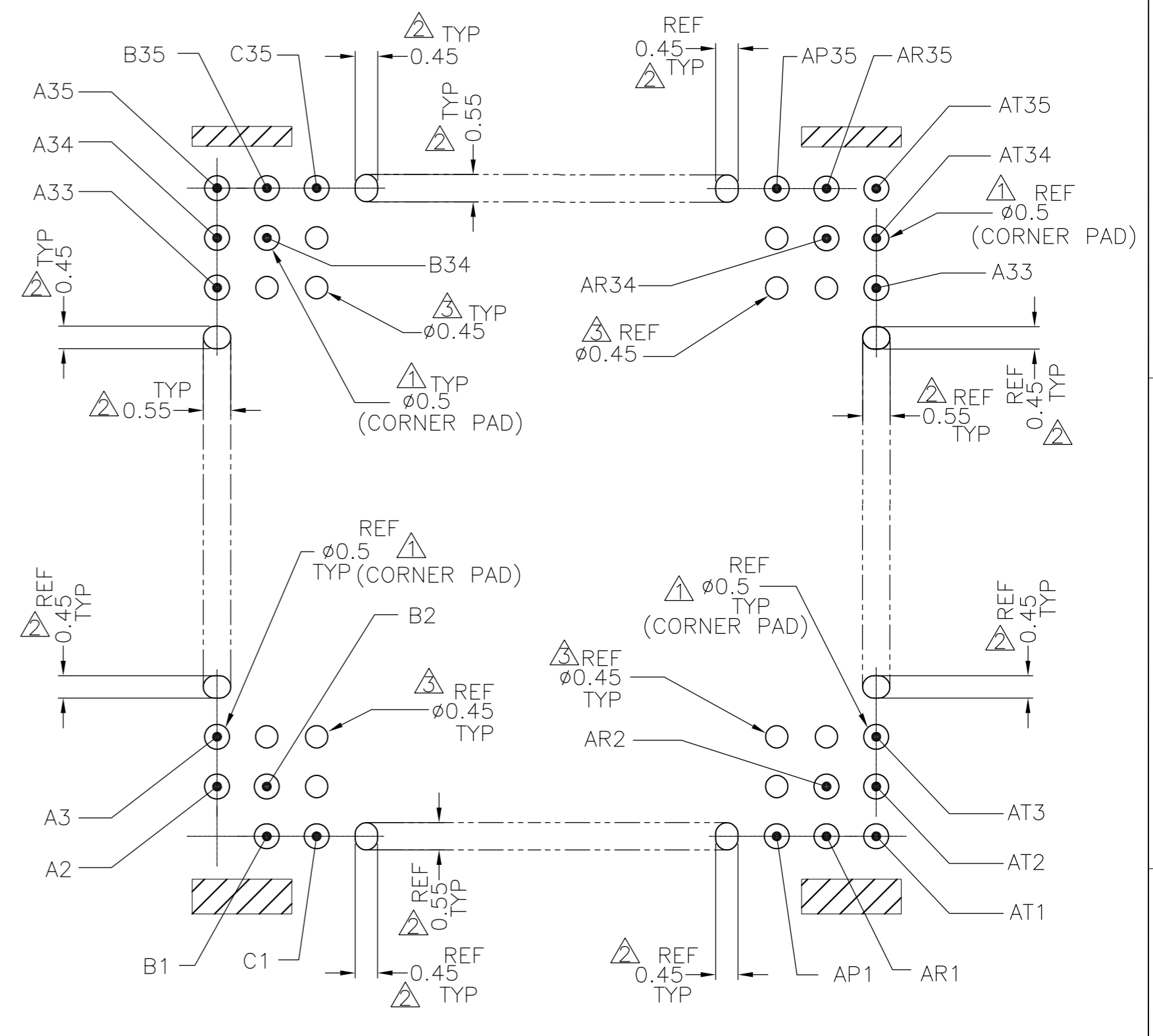
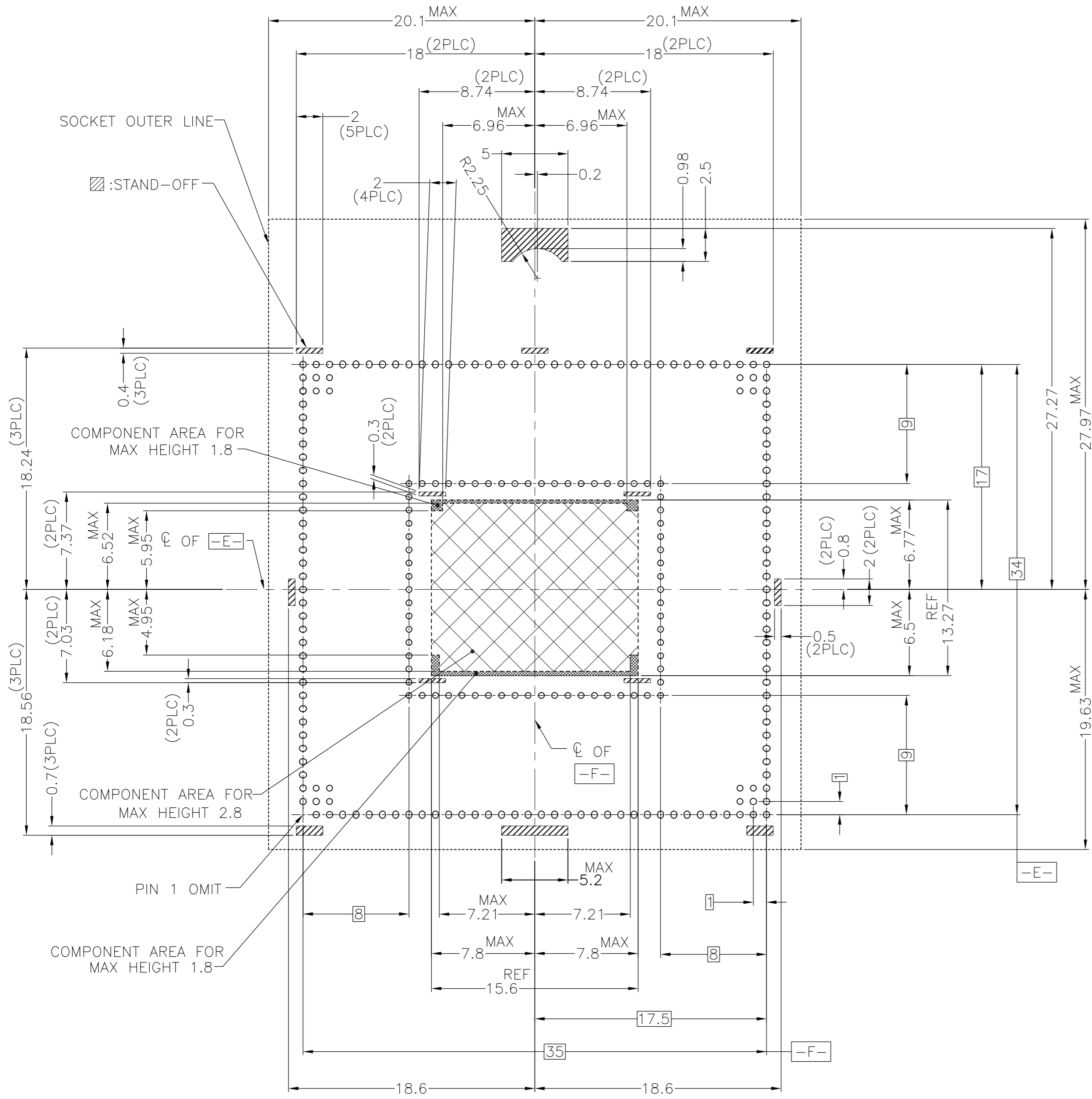
DETAIL FOR CORNER PAD

NOTE(APPLIED TO SHEET 5 OF 6 AND 6 OF 6):
 △ METAL DEFINED PADS(0.5mm PAD/0.6mm SRO) OR SOLDER MASKED DEFINED PAD (0.6mm PAD WITH 0.5mm SRO) IS RECOMMENDED FOR CORNER PADS SHOWN BELOW, BUT NOT LIMITED, ANY PAD WHICH IS ON OR NEAR OUTSIDE ROWS IS ALSO APPLIED IF ROUTING PERMITS.
 APPLIED CORNER PADS LOCATION:
 A2,A3,B1,B2,C1,A33,A34,A35,B34,B35,C35, AP35,AR34,AR35,AT33,AT34,AT35,AP1,AR1,AR2,AT1,AT2,AT3
 △ OBLONG-SHAPE PADS ARE RECOMMENDED FOR THE PERIPHERAL PADS EXCEPT FOR THE PADS WHICH ARE DEFINED IN △:
 METAL DEFINED OBLONG PADS(0.45X0.55mm PAD/0.55X0.65mm SRO)
 SOLDER MASKED DEFINE OBLONG PADS(0.45X0.55mm SRO)
 △ ALL PADS EXCEPT FOR DEFINED IN △, △:
 METAL DEFINED PADS(0.45mm min PAD/0.55-0.65mm SRO)
 SOLDER MASKED DEFINED PADS(0.45mm SRO)
 THE NUMBER OF SOLDER MASKED DEFINED PADS SHOULD BE MINIMIZED AND AVOIDED NEAR CORNERS OR OUTER EDGES.

THIS DRAWING IS A CONTROLLED DOCUMENT.		DWN	01APR2008		 TE Connectivity	SOCKET ASSY		
DIMENSIONS: 単位: 寸 mm		CHK				rPGA989 & rPGA988X		
TOLERANCES UNLESS OTHERWISE SPECIFIED: 一般公差		APVD			SIZE	CAGE CODE	DRAWING NO	RESTRICTED TO
0-PLC ±0.3		PRODUCT SPEC			A2	00779	C=2013620	-
1-PLC ±0.3		APPLICATION SPEC			SCALE 4:1			SHEET 6 OF 7
2-PLC ±0.3		取付適用規格			REV E2			
3-PLC ±0.3		WEIGHT						
4-PLC ±0.3		CUSTOMER DRAWING						
ANGLES ±								
FINISH 仕上								

THIS DRAWING IS UNPUBLISHED. RELEASED FOR PUBLICATION
 © COPYRIGHT - By Tyco Electronics Japan G.K. ALL RIGHTS RESERVED.

LOC	DIST	P	LTR	REVISIONS	DATE	DWN	APVD
-	-	-	-	変更	-	-	-
				DESCRIPTION			
				SEE SHEET 1			



THIS DRAWING IS A CONTROLLED DOCUMENT.		DWN	01APR2008		 TE Connectivity	NAME	SOCKET ASSY		RESTRICTED TO			
DIMENSIONS: 単位: 特 mm		CHK					rPGA989 & rPGA988X					
TOLERANCES UNLESS OTHERWISE SPECIFIED: 一般公差		APVD			PRODUCT SPEC	製品規格	APPLICATION SPEC	取付適用規格	SIZE	CAGE CODE	DRAWING NO	REV
0-PLC ±0.3 1-PLC ±0.3 2-PLC ±0.3 3-PLC ±0.3 4-PLC ±0.3 ANGLES ±0.5		WEIGHT			SCALE	4:1	SHEET	7 of 7	REV	E2		
MATERIAL 材料		FINISH 仕上		CUSTOMER DRAWING		A2	00779	C=2013620				