

4

3

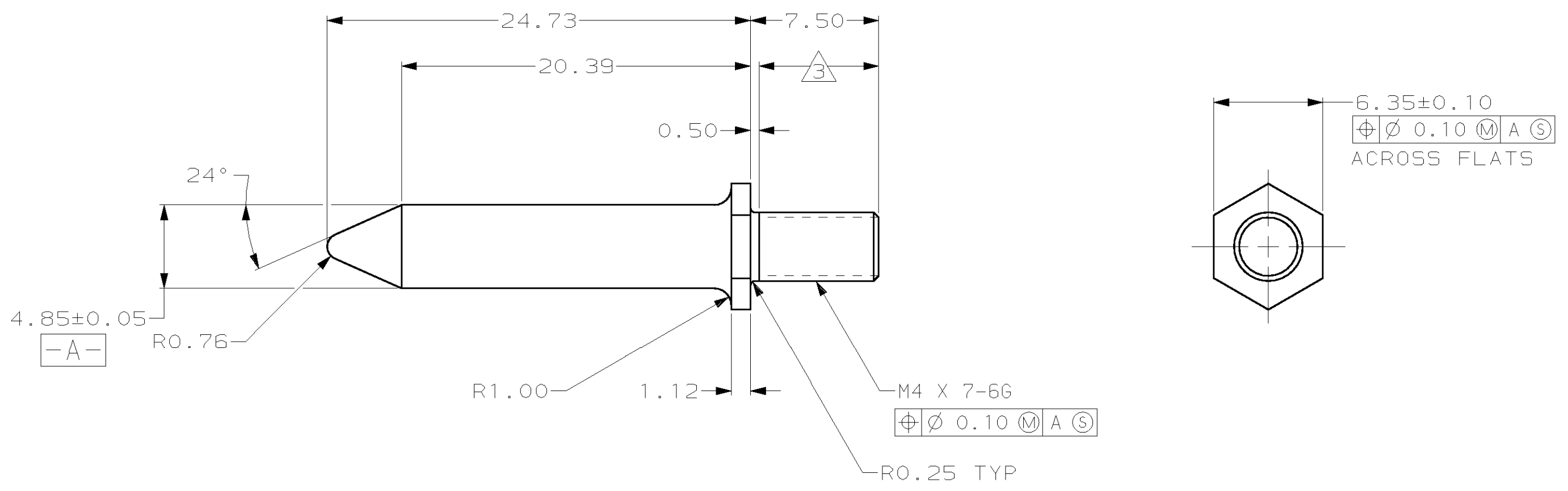
2

1

THIS DRAWING IS UNPUBLISHED. RELEASED FOR PUBLICATION, 19 .
© COPYRIGHT 19 BY AMP INCORPORATED. ALL RIGHTS RESERVED.

| LOC | DIST | REVISIONS | | | |
|-----|------|-------------|-----------------------------|---------|-------|
| P | LTR | DESCRIPTION | DATE | DWN | APVD |
| AD | 47 | C | REVISE PER ECN 0U1B-0384-00 | 12FEB01 | SU RP |

- ① MATERIAL: STAINLESS STEEL.
- ② FINISH: PASSIVATE.
- ③ LOCTITE DRI-LOC 204 APPLIED IN THIS AREA.
- 4. RECOMMENDED P.C. BOARD DRILLED HOLE DIAMETER IS 4.10±0.08mm IF APPLYING A NUT FROM THE REAR OF THE BOARD. IF USING WITH PEM NUT P/N KFS2-M4, DRILLED HOLE DIAMETER SHOULD BE 6.4±0.08mm.



| | | |
|--------|----------|-------------|
| ③ ② | ① | 223982-1 |
| FINISH | MATERIAL | PART NUMBER |

| | | | | |
|--|--|---------------------------|---|-----------------|
| THIS DRAWING IS A CONTROLLED DOCUMENT. | | DWN T. SHUEY 11-19-98 | AMP Incorporated Harrisburg, PA 17105-3608 | |
| DIMENSIONS: mm | | CHK R. PATTERSON 12-4-98 | | |
| TOLERANCES UNLESS OTHERWISE SPECIFIED: | | APVD R. PATTERSON 12-4-98 | NAME | |
| 0 PLC ±- 1 PLC ±- 2 PLC ±0.13 3 PLC ±- 4 PLC ±- ANGLES ±0°30' | | PRODUCT SPEC | GUIDE PIN, UNIVERSAL POWER MODULE | |
| MATERIAL SEE TABLE | | FINISH SEE TABLE | APPLICATION SPEC | RESTRICTED TO |
| | | WEIGHT - | SIZE A3 | CAGE CODE 00779 |
| | | CUSTOMER DRAWING | DRAWING NO C- 223982 | REV C |
| | | SCALE 4:1 | SHEET 1 OF 1 | |