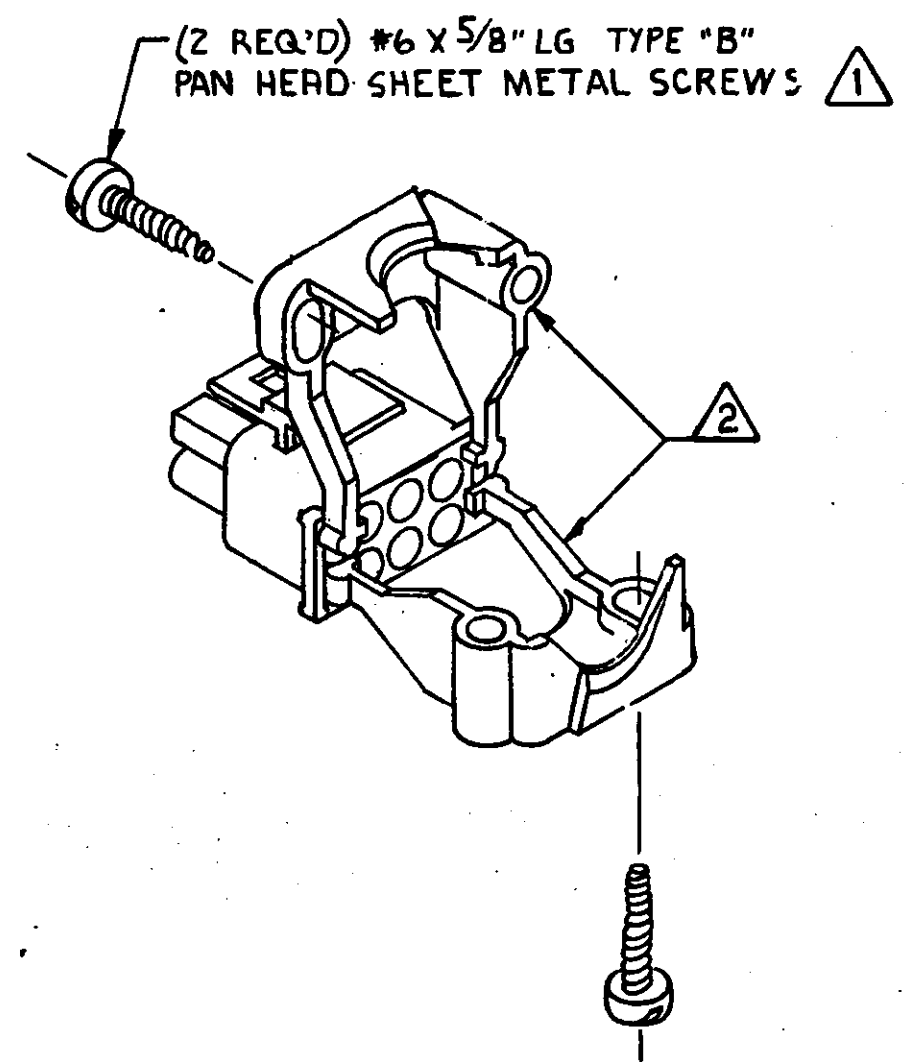
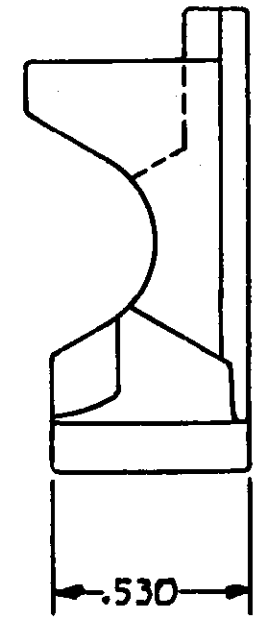
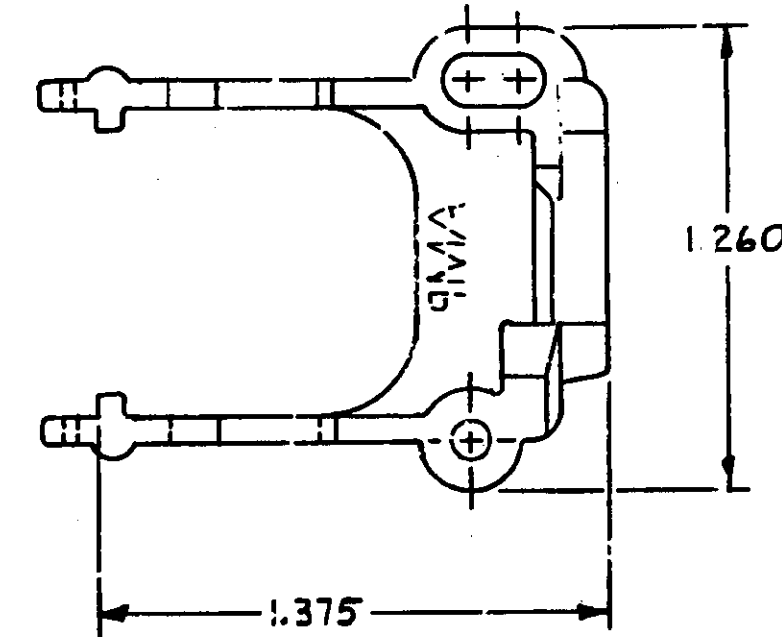
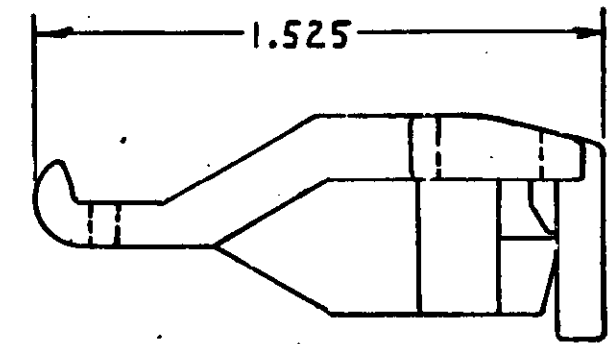


© COPYRIGHT 1973 BY AMP INCORPORATED, HARRISBURG, PA. ALL INTERNATIONAL RIGHTS RESERVED. AMP INCORPORATED PRODUCTS COVERED BY U. S. AND FOREIGN PATENTS AND/OR PATENTS PENDING.

⚠ SHEET METALS SCREWS NOT SUPPLIED
 TWO REQUIRED PER CONNECTOR.
 FOR USE WITH 6, 9, 12, & 15 CIRCUIT HOUSINGS WITH A WIRE BUNDLE DIAMETER RANGE OF 5/16" TO 1/2".

REVISIONS					
P	F	ZONE	LTR	DESCRIPTION	DATE APPROVED
✓			D	REDRAWN + ADDED 3 VIEW ORTHOGRAPHIC PROJECTION M-566	2-17-80 MSK/S.H.
✓			D ₁	RESTORED	12-7-81 RAH/RS
✓			E	OBSOLETE -2, -3, -4, -5, -6, -7, -8, -9 PER CM-473	4-15-86 KW/RS
✓			F	OBSOLETE -1 PER CM-330	6-6-88 DH/RS
✓			G	REV PER ECN CM 3828	7-31-82 NJG/RS



COLOR	MATERIAL	PART NO
NATURAL	NYLON 94V-2	1-350590-0

UNLESS OTHERWISE SPECIFIED DIMENSIONS ARE IN INCHES. DECIMALS ± .015 ANGLES ±	CONTRACT NO	AMP AMP INCORPORATED Harrisburg, Pa.	
	DR	NAME	
	CHK	STRAIN RELIEF FOR UNIVERSAL MATE-N-LOK™ HOUSING	
	APPD	SIZE CODE IDENT NO DRAWING NO C 00779 350590	
MATERIAL	APPD	SCALE 2-1	SHEET
SEE TABLE	APPD		
FINISH	DSGN APPD		
SEE TABLE	OTHER APPD		

350590