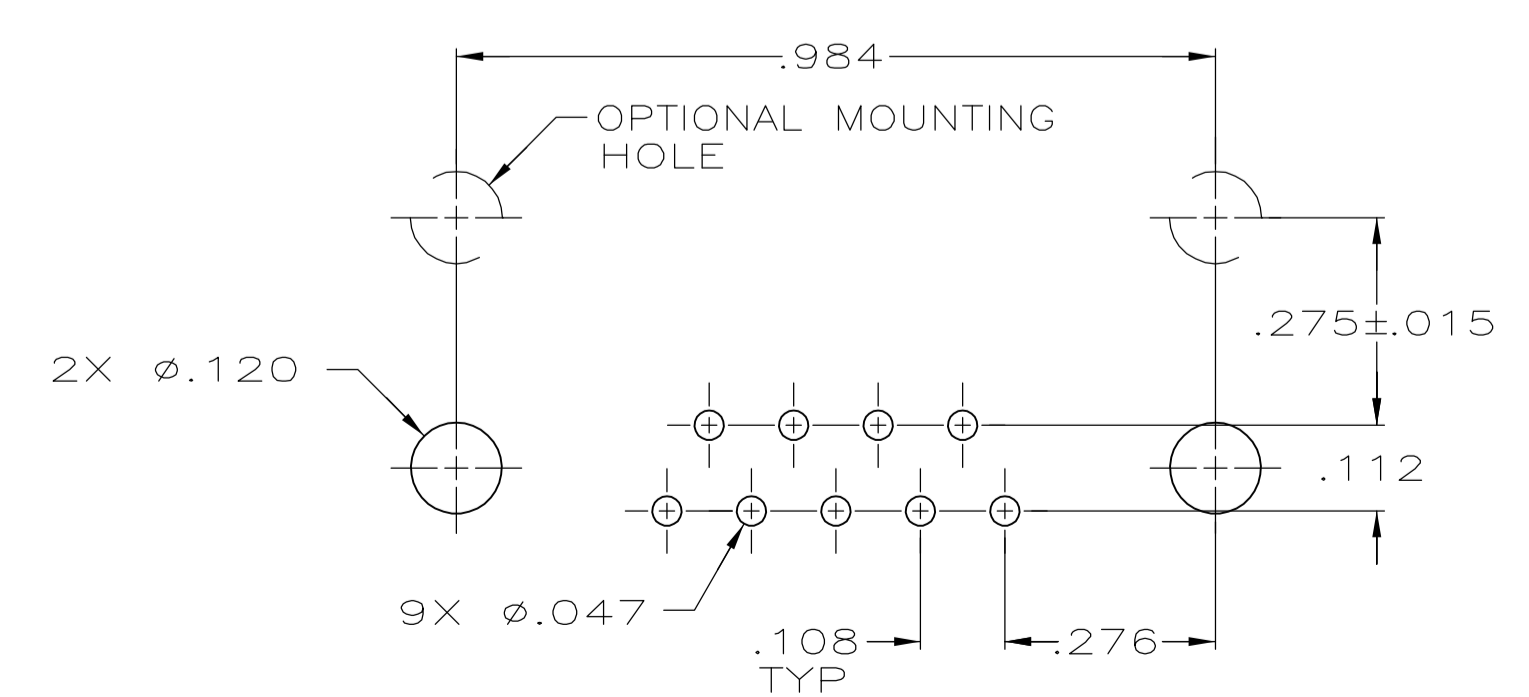
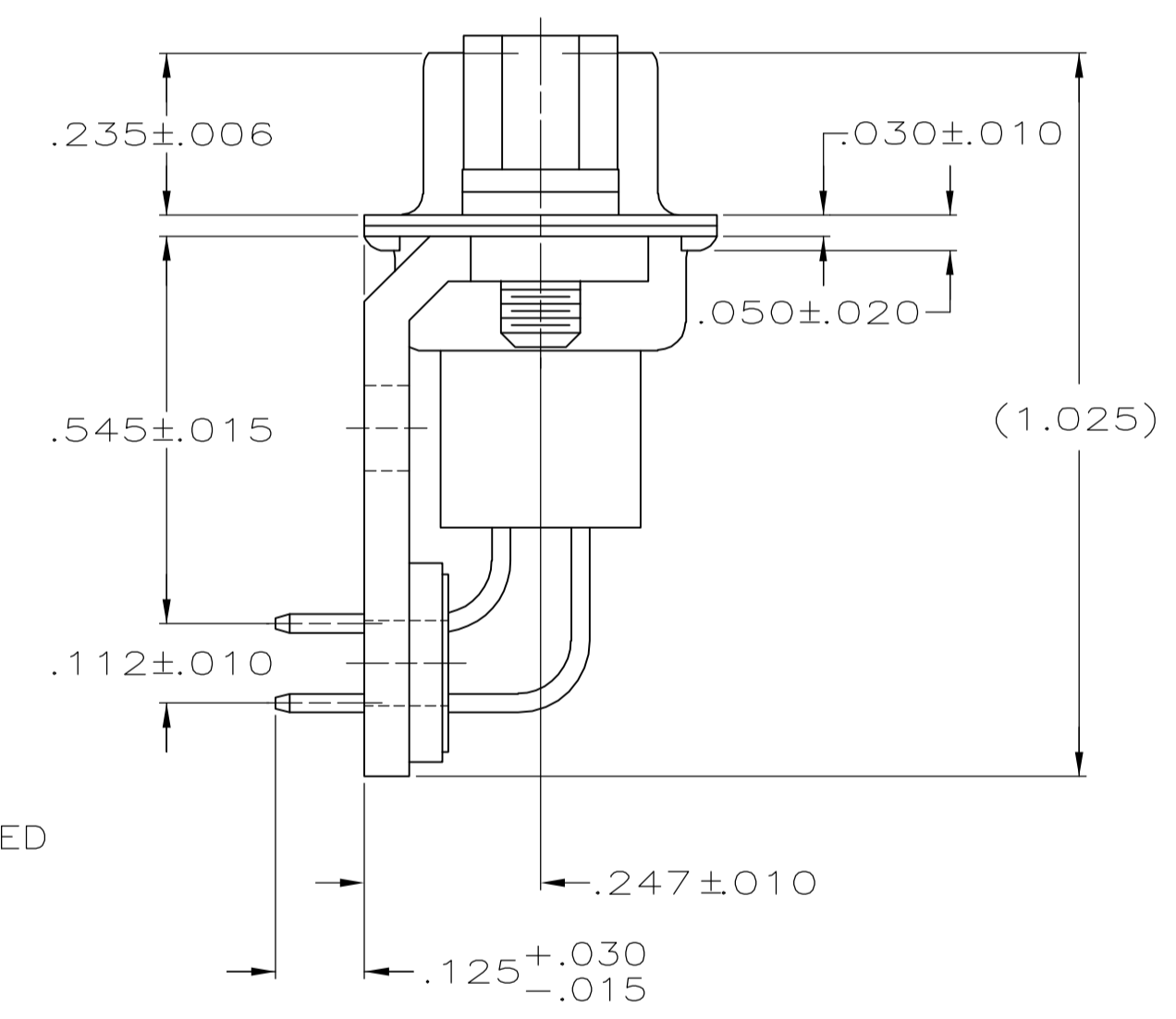
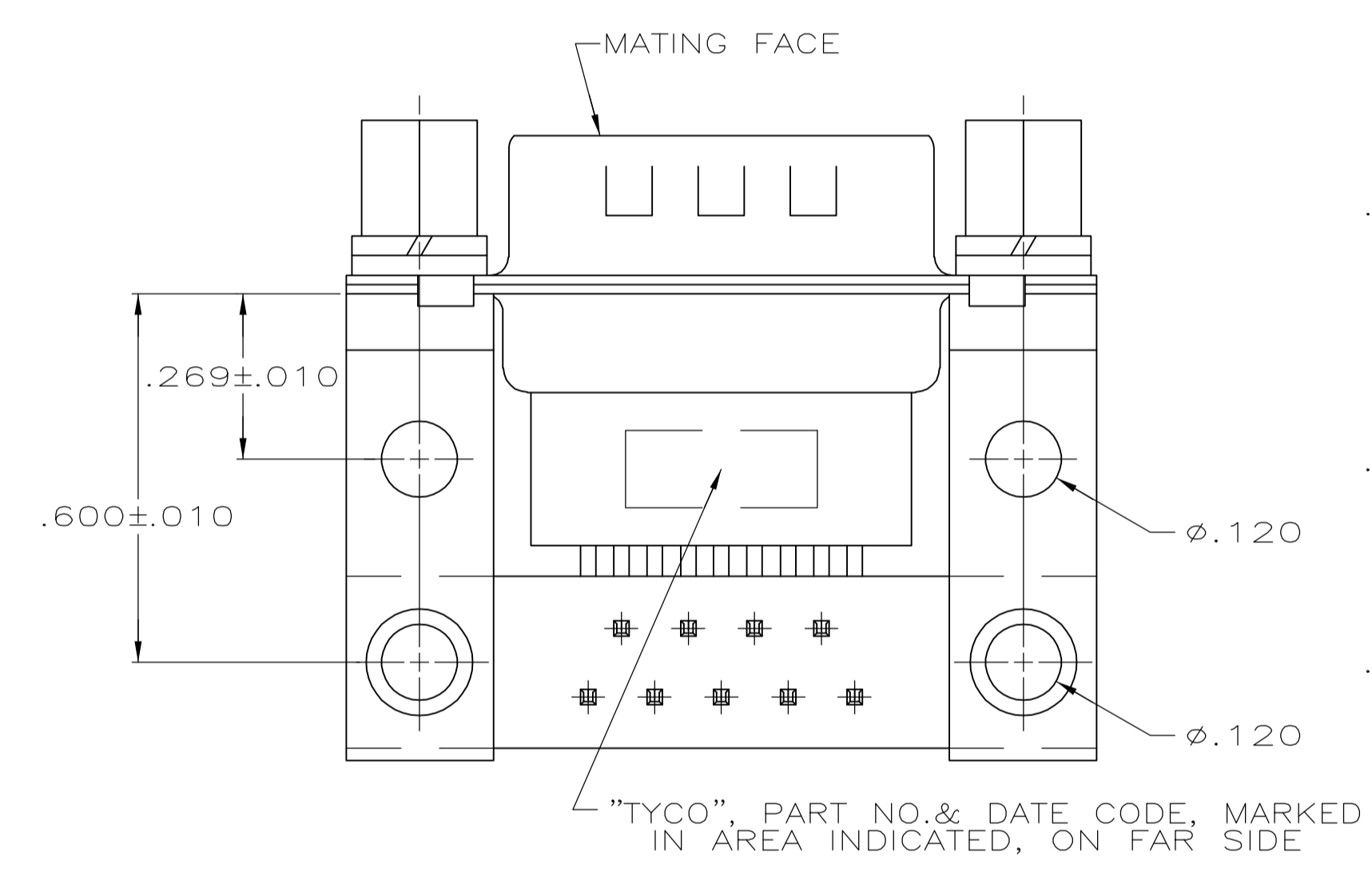
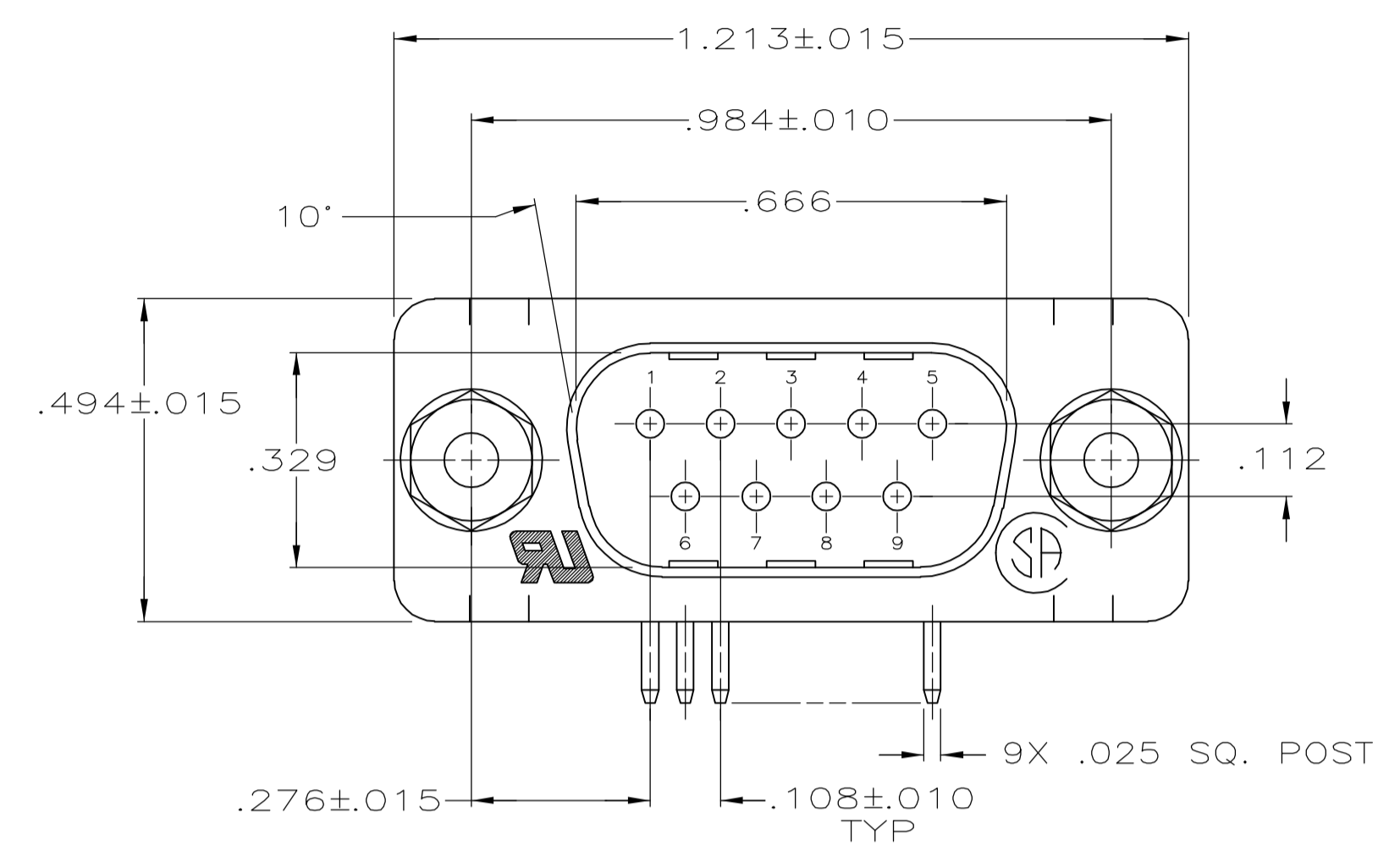


LOC		DIST		REVISIONS			
P	LTR	DESCRIPTION	DATE	OWN	APPRO		
A		REVISED PER ECO-06-028339	3/JAN/07	ZMREDB			



- MOLDED PARTS: GLASS FILLED NYLON, UL94V-0 RATED, COLOR BLACK.
- SHELLS & BRACKETS: CARBON STEEL.
- CONTACTS: BRASS
- SCREWLOCKS AND WASHERS: CARBON STEEL.
- SHELLS: .000200 MIN TIN OVER .000100 MIN COPPER.
- BRACKETS: .000200 MIN TIN OVER .000050 MIN COPPER.
- SCREWLOCKS AND WASHERS: ZINC PLATED WITH CLEAR CHROMATE COATING.
- CONTACTS: GOLD PLATED FOR A LENGTH OF .150 MIN FROM MATING END, .000030 MIN GOLD IN MATED AREA, .000100 MIN TIN ON OPPOSITE END, BOTH OVER .000050 MIN NICKEL.
- OR-
- GOLD FLASH OVER PALLADIUM NICKEL PLATED FOR A LENGTH OF .150 MIN FROM MATING END, .000030 MIN PALLADIUM NICKEL IN MATED AREA, .000100 MIN TIN ON OPPOSITE END, BOTH OVER .000050 MIN NICKEL.

5747197-4
 PART NUMBER

THIS DRAWING IS A CONTROLLED DOCUMENT.		DIN D. HENNY 9-4-05		Tyco Electronics Corporation Harrisburg, PA 17105-3608	
DIMENSIONS: INCHES		CHK S. BOLASH 9-4-05		APPRO M. WALMSLEY 9-4-05	NAME
TOLERANCES UNLESS OTHERWISE SPECIFIED:		PRODUCT SPEC		PLUG ASSEMBLY, SIZE 1, 9 POSITION, RIGHT ANGLE, .545 SERIES, .025 SQ. POSTS, WITH SCREWLOCKS, AMPLIMITE HDP	
0 PLC ± -		APPLICATION SPEC		108-40025	
1 PLC ± -		DRAWING NO		114-40013	
2 PLC ± -		WEIGHT		A1 00779C=5747197	
3 PLC ± .005		CUSTOMER DRAWING		SCALE 4:1 SHEET 1 OF 1 REV A	
4 PLC ± -					
ANGLES ± °					
MATERIAL 1					
FINISH 2					