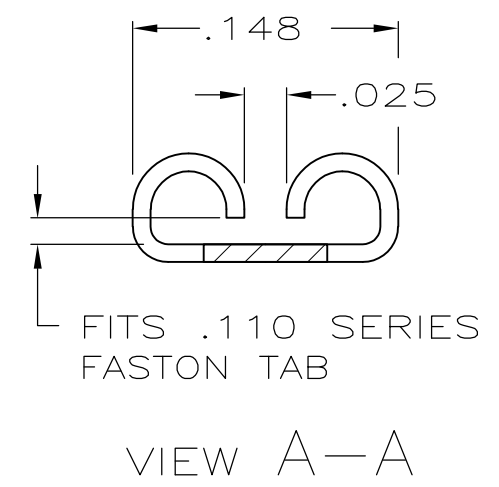
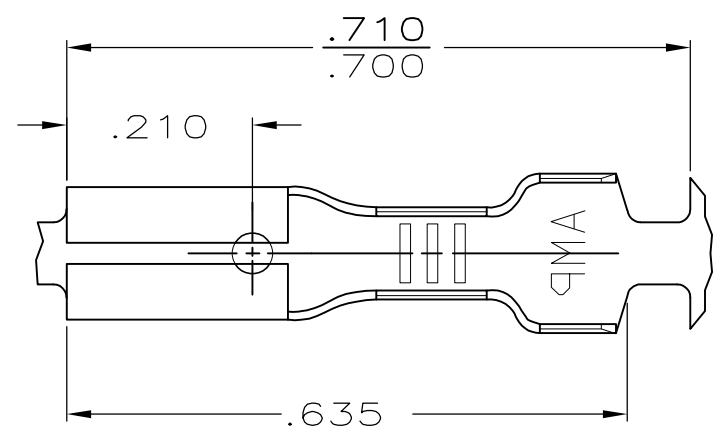
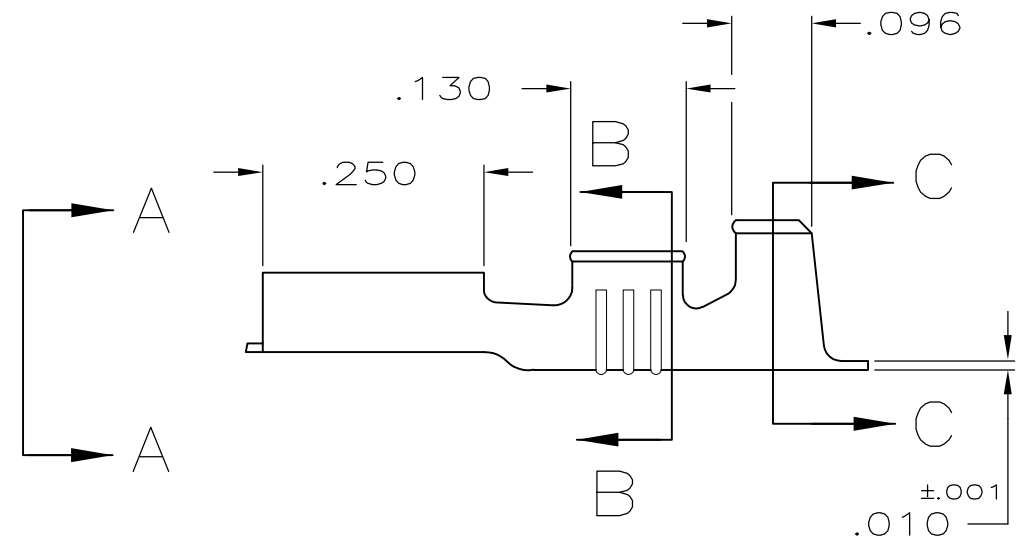
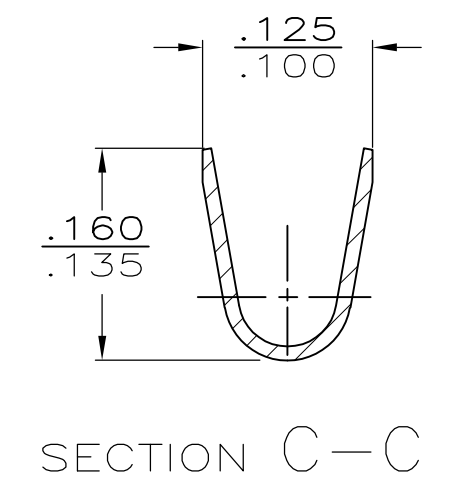
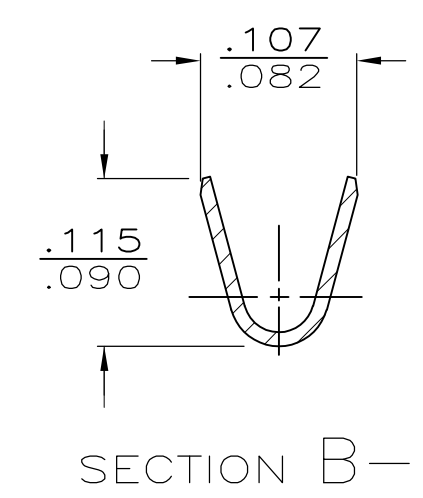


LOC	DIST	REVISIONS					
AF	50	P	LTR	DESCRIPTION	DATE	DWN	APVD
		AP1		REVISED PER ECO-11-004917	11MAR11	RK	HMR



- 1 CONTINUOUS STRIP ON REELS.
- 2 MATING TAB THK IS .032±.001.



.060-.100 DIA	#22-#18 AWG	PLAIN	60197-2
		PRE-TIN	60197-1
INSUL RANGE	WIRE SIZE	FINISH	PART NO

THIS DRAWING IS A CONTROLLED DOCUMENT.		DWN	JR RUTH	6/23/87	TE Connectivity RECEPTACLE, FASTON,™ .110 SERIES
DIMENSIONS: mm[INCHES]		CHK	G YETTER	6/23/87	
TOLERANCES UNLESS OTHERWISE SPECIFIED:		APVD	C MEYERS	6/23/87	
0 PLC ± - 1 PLC ± - 2 PLC ± - 3 PLC ± .015 4 PLC ± - ANGLES ± -		PRODUCT SPEC	-		
MATERIAL	#4H BRASS	FINISH	SEE TABLE	WEIGHT	-
-		APPLIC. SPEC	-		RESTRICTED TO
-		SIZE	A3	CAGE CODE	00779
-		DRAWING NO	C-60197		REV
-		CUSTOMER DRAWING	SCALE	5:1	SHEET
-				1 OF 1	AP1