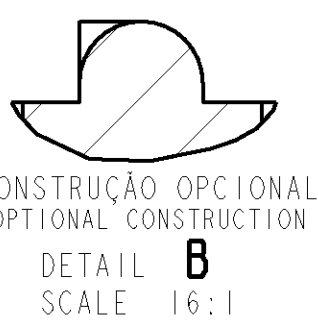
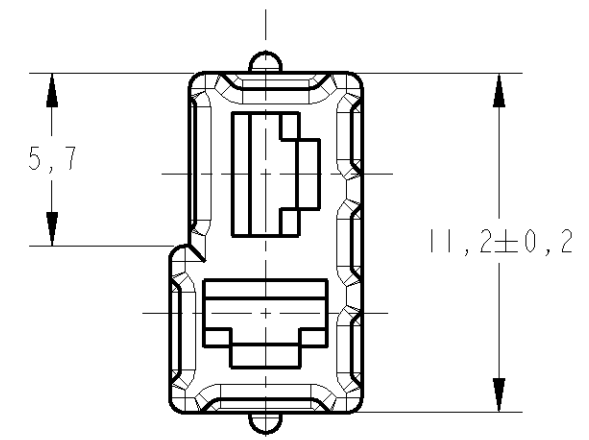
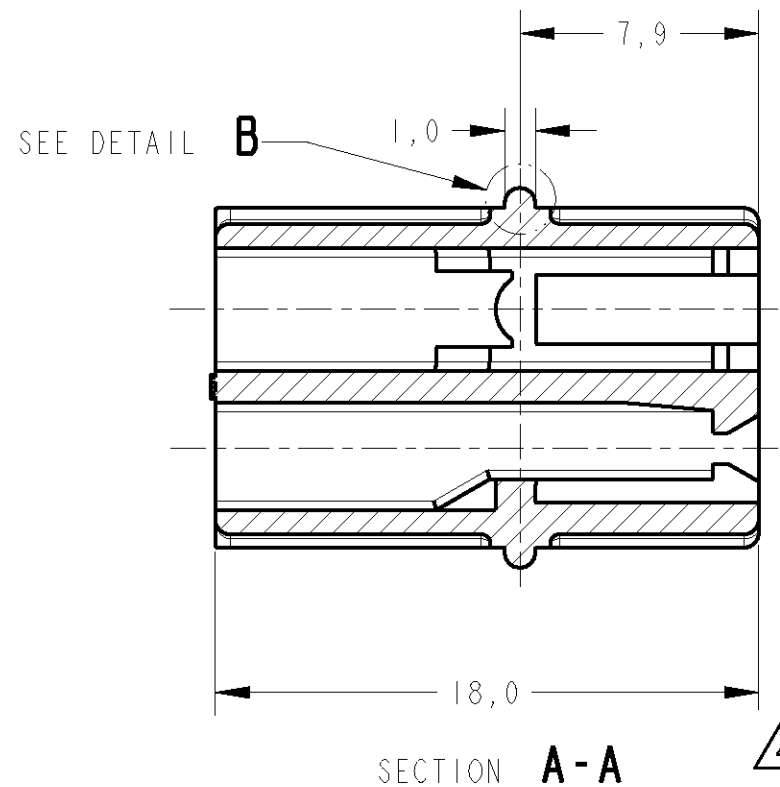
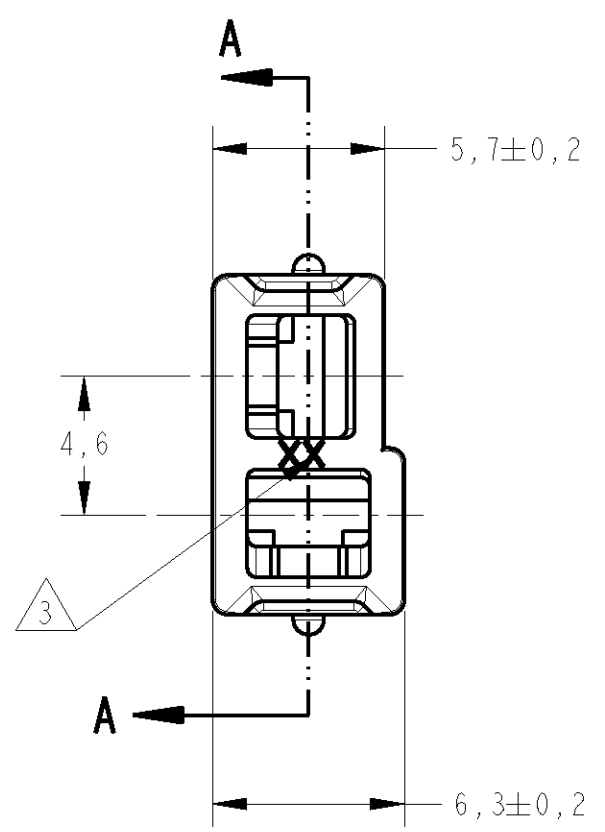


THIS DRAWING IS UNPUBLISHED. RELEASED FOR PUBLICATION  
 © COPYRIGHT - BY - ALL RIGHTS RESERVED.

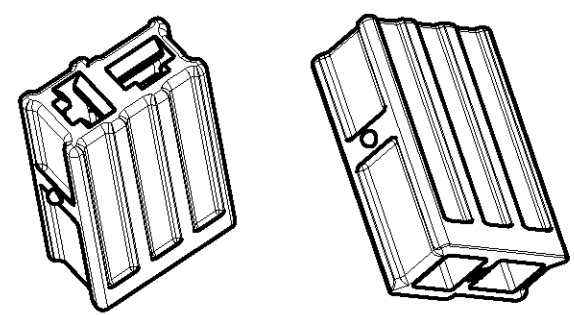
LOC	DIST	REVISIONS			
P	LTR	DESCRIPTION	DATE	DWN	APVD
AP	-				
	K3	REVISED PER ECO-11-005139	19MAR11	RK	HMR

**CAD**  
 DO NOT REVISE  
 EXCEPT BY CAD



GRAVAÇÕES MARKINGS	
NÚMERO CAVIDADE CAVITY NUMBER	3

- 1 - TECHSTER T-20000 - SE0;
- 2 - RAW MATERIAL ACC.TO SPEC. IEC 60335-1 GWT 750°C WITHOUT FLAME  
MATERIA PRIMA CONFORME IEC 60335-1 GWT 750°C SEM CHAMA.
- 4 OBSOLETE PARTS: OBSOLETE CIS STREAMLINING PER D.RENAUD/D.SINISI



PERSPECTIVE VIEW  
 SCALE 2:1

4 OBSOLETE  
 OBSOLETE  
 4 OBSOLETE  
 OBSOLETE

FINISH	MATERIAL	PART NUMBER
NATURAL	PA 6.6 V-0 2	1-0626064-2
NATURAL	PA 6.6 - ZYTEL 103 HSL	<del>1-0626064-1</del>
NATURAL	POLYESTER 1	<del>1-0626064-0</del>
LARANJA/ORANGE	PA 6.6	<del>0-0626064-9</del>
VIOLETA/VIOLET	PA 6.6	<del>0-0626064-8</del>
CINZA/GRAY	PA 6.6	<del>0-0626064-7</del>
MARRON/BROWN	PA 6.6	<del>0-0626064-6</del>
PRETO/BLACK	PA 6.6	0-0626064-5
AMARELO/YELLOW	PA 6.6	<del>0-0626064-4</del>
AZUL/BLUE	PA 6.6	<del>0-0626064-3</del>
VERDE/GREEN	PA 6.6	<del>0-0626064-2</del>
VERMELHO/RED	PA 6.6	0-0626064-1
NATURAL	PA 6.6	0-0626064-0

DIMS: mm		TOLERANCES UNLESS OTHERWISE SPECIFIED:	
0 PLC	±-	1 PLC	±0,15
2 PLC	±-	3 PLC	±-
4 PLC	±-	ANGLES	±30'
MATERIAL	SEE TABLE	FINISH	SEE TABLE

DWN E. LOPES 14MAR2006  
 CHK P. L. FARIA 14MAR2006  
 APVD M. S. OLIVEIRA 14MAR2006

**TE** TE Connectivity

NAME: 2 WAY .110 FASTIN-ON RECEP. HSG

SIZE: A3 CAGE CODE: 00779 DRAWING NO: 626064 RESTRICTED TO: -

CUSTOMER DRAWING SCALE: 4:1 SHEET: OF: REV: K3