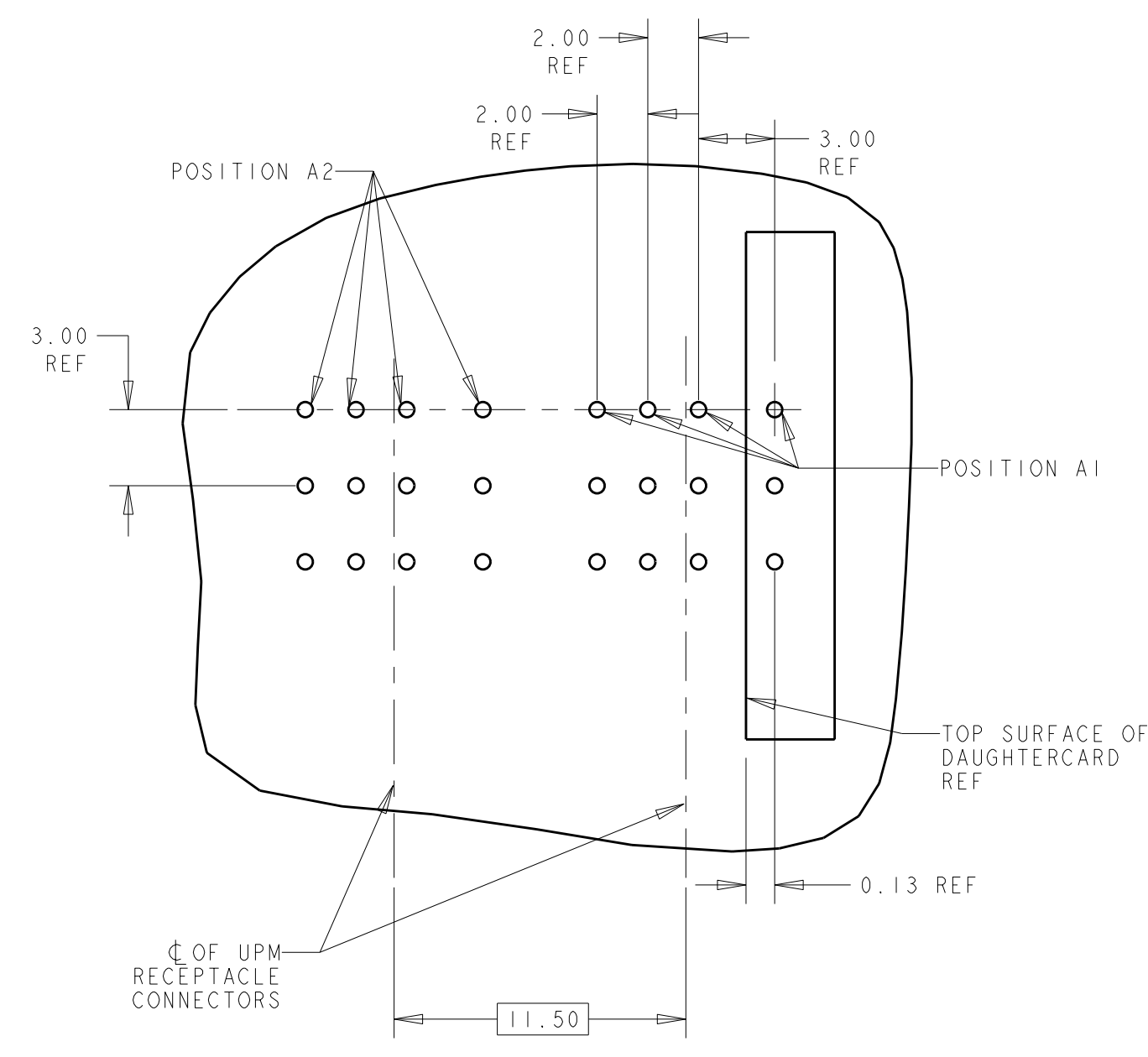


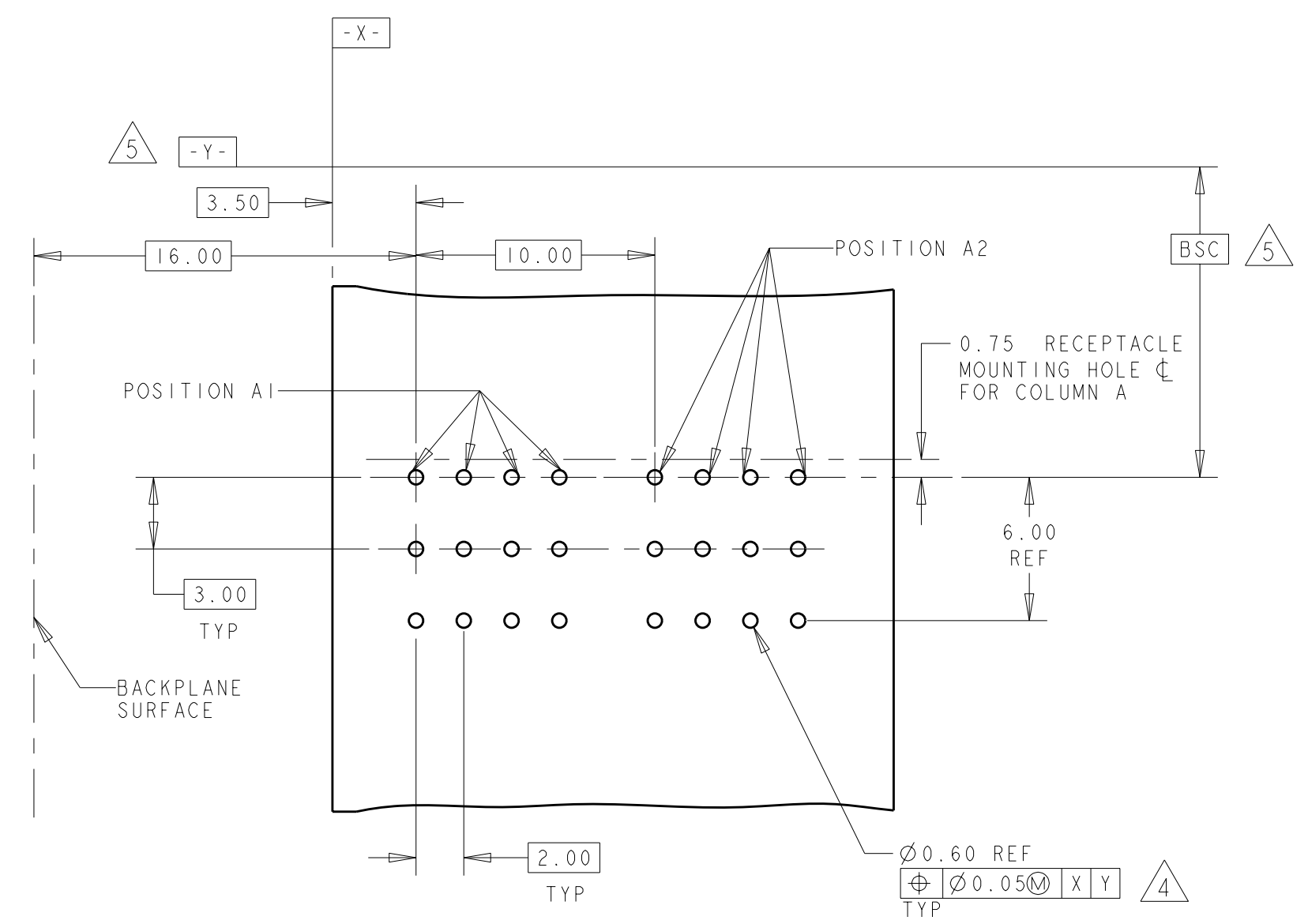
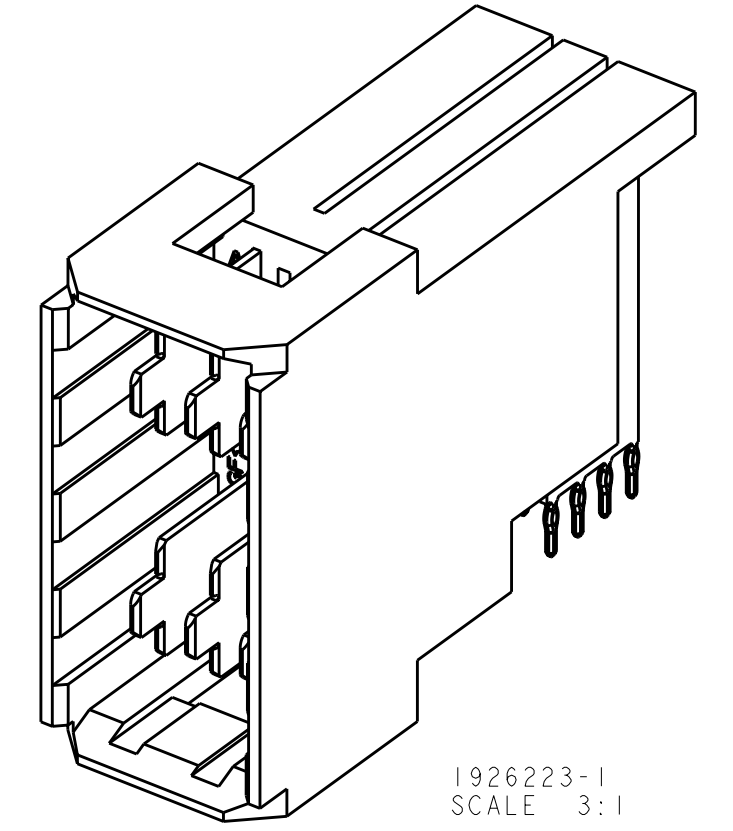
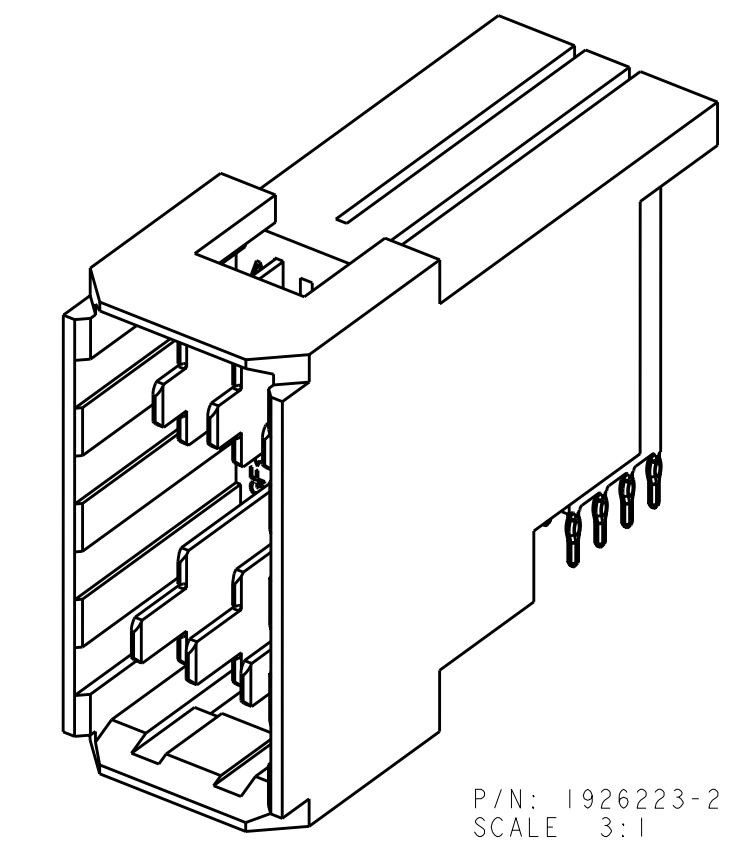
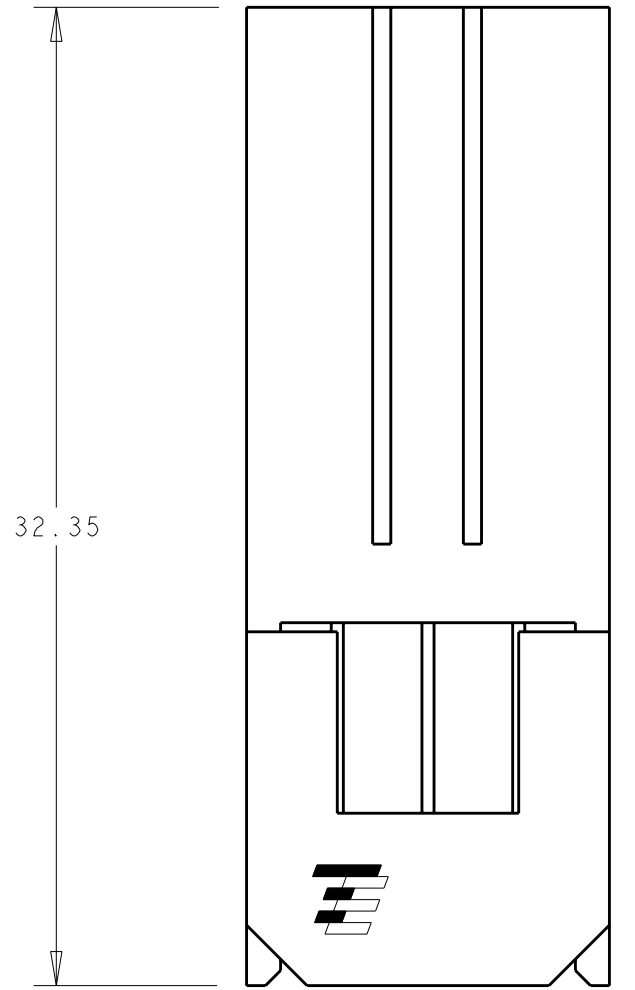
LOC	DIST	REV	DATE	BY	CHK	APPV
GP	00					

REV	DATE	DESCRIPTION	BY	CHK	APPV
A	29DEC2008	RELEASED PER ECO-08-031666			
A1	09APR2010	ADD NEW DASH NUMBER			
A2	13APR2010	REV PER ECR-10-007929			

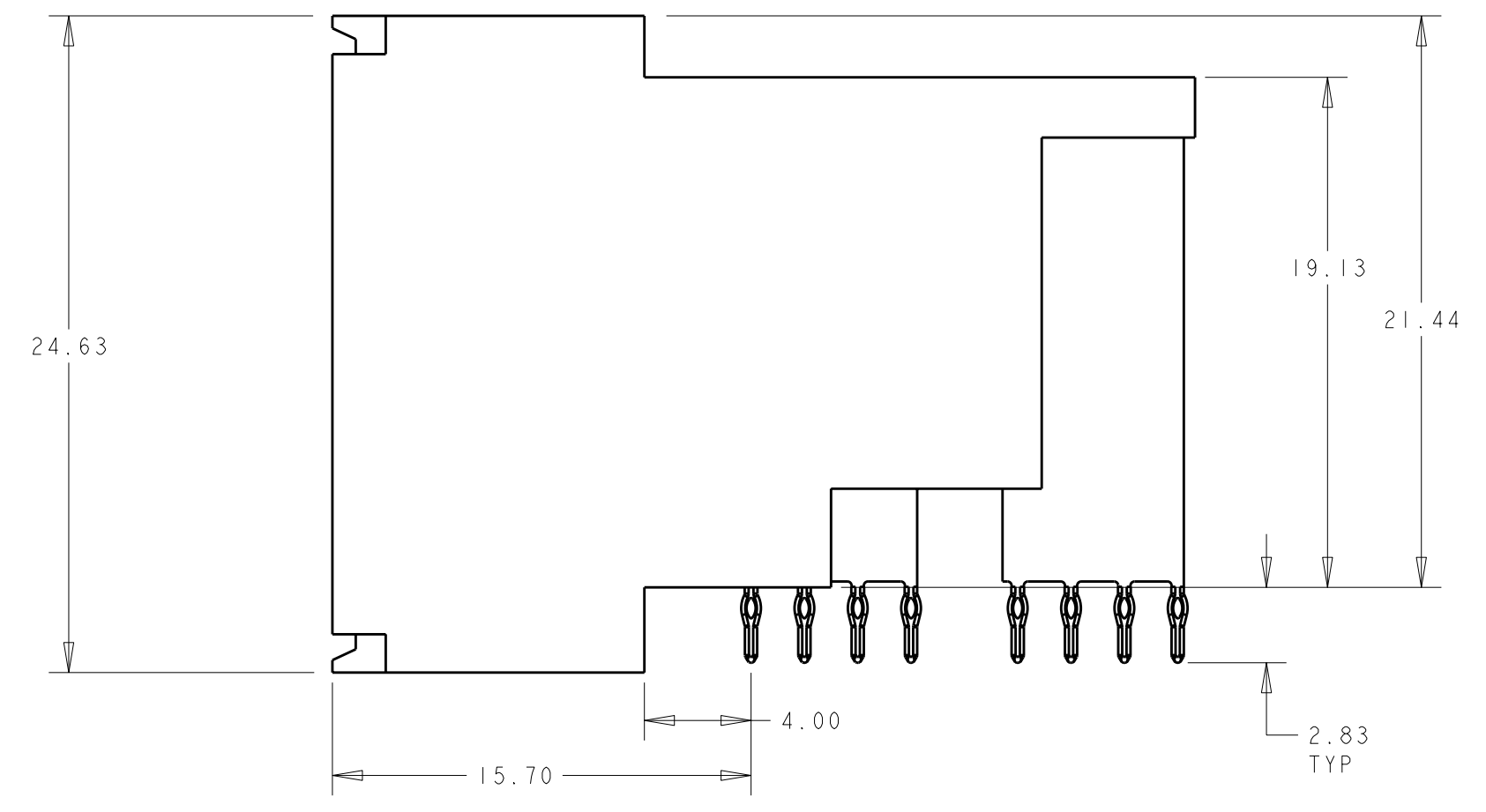
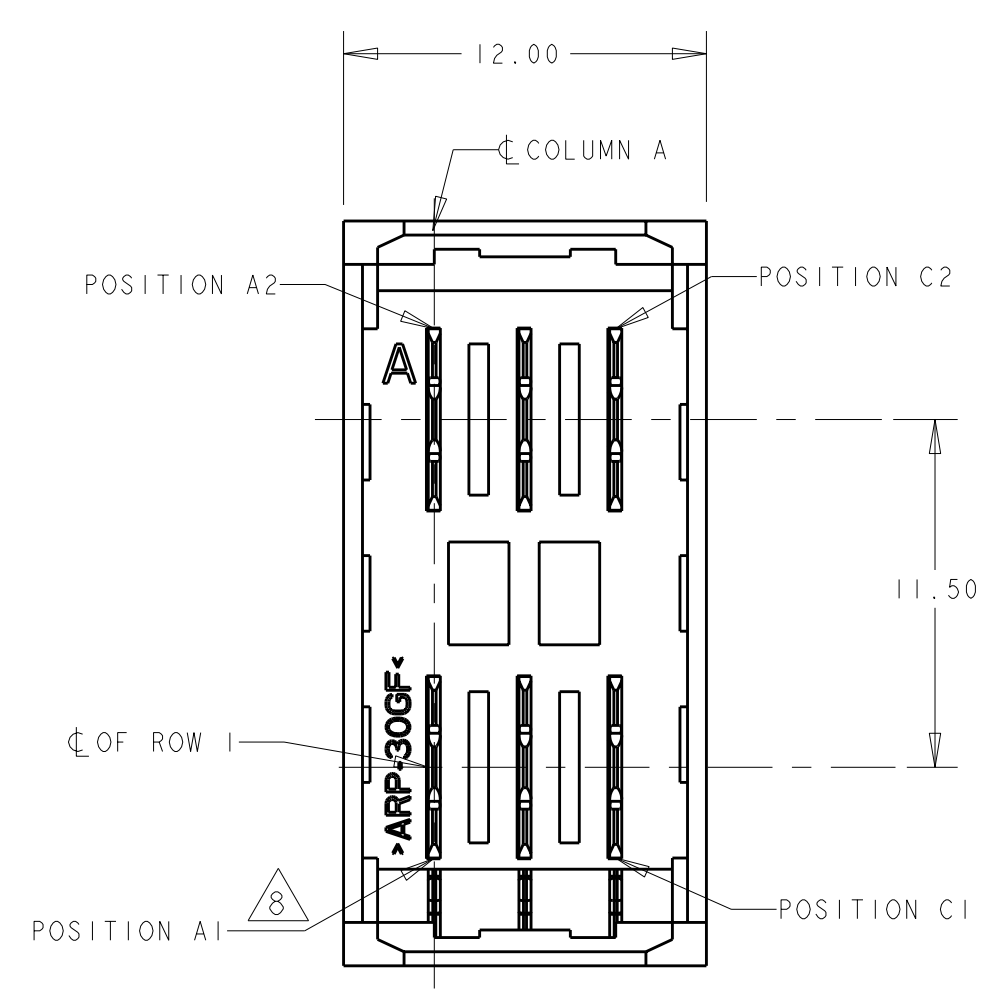
- 1 MATERIAL: HOUSING: POLYESTER. COLOR: BLACK, UL 94 V-0 CONTACT: COPPER ALLOY.
- 2 FINISH: CONTACT MATING AREA: 0.00076 mm MIN GOLD PLATE OVER 0.00127 mm MIN NICKEL, OR 0.0005 mm MIN GOLD OVER 0.00064 mm PALLADIUM-NICKEL OVER 0.00127 mm MIN NICKEL. COMPLIANT TAIL AREA: 0.0005 mm MIN BRIGHT TIN-LEAD PLATE OVER 0.00127 mm NICKEL UNDERPLATE.
- 3 TAILS OF MATING UPM STYLE RECEPTACLE ARE OFFSET BY 0.75 mm FROM TAILS OF THIS CONNECTOR. SEE CUSTOMER DRAWING 120992 FOR RECEPTACLE EXAMPLE. SEE APPLICATION SPEC 114-1103 FOR MORE DETAILED DESCRIPTION OF THE TAIL OFFSETS.
- 4 PC BOARD HOLE SPECIFICATIONS:
 DRILLED HOLE SIZE: 0.700±0.02 mm
 FINISHED HOLE SIZE: 0.60±0.05 mm
 PLATING THICKNESS:
 0.025 - 0.050 mm COPPER
 0.004 - 0.010 mm HASL TIN/LEAD
 0.0005 mm MIN IMMERSION TIN
 0.0002 - 0.0005 mm OSP
 0.0001mm MIN IMMERSION SILVER
 0.0001-0.0005 mm IMMERSION GOLD OVER 0.004-0.005 mm NICKEL
- 5 DATUM AND BASIC DIMENSION ESTABLISHED BY CUSTOMER.
- 6 MINIMUM REQUIRED PC BOARD THICKNESS IS 1.44mm.
- 7 CONTACT AREA LUBRICATED WITH BELLCORE APPROVED LUBRICANT. TECHNICAL REFERENCE GR-1217-CORE, ISSUE 1 NOVEMBER 1995.
- 8 POSITION A1 IS AT MATERIAL ID.



MATING VERTICAL UPM RECEPTACLE PCB LAYOUT 3



RECOMMENDED PCB LAYOUT 6



SHORT PIN LOCATION	LONG PIN LOCATION	MIDDLE PIN LOCATION	PART NO
B1	C1	A1,A2,B2,C2	1926223-3
-	A1,B1,C1	A2,B2,C2	1926223-2
-	-	ALL	1926223-1

DIMENSIONS: mm 		TOLERANCES UNLESS OTHERWISE SPECIFIED: 9 PLC ±.25 7 PLC ±.25 5 PLC ±.25 4 PLC ±.25 ANGLES ±1°		DWN: WM VAN SCOY 05OCT2006 CHK: N. REESER 05OCT2006 APPV: N. REESER 05OCT2006		Tyco Electronics Harrisburg, PA 17105-3608	
MATERIAL: 1		FINISH: 2		PRODUCT SPEC: 108-2289 APPLICATION SPEC:		NAME: ASSEMBLY, RIGHT ANGLE HEADER, MINIPAK HDE, 2X3 POSITION SIZE: CAGE CODE DRAWING NO: A100779 C=1926223 WEIGHT: - CUSTOMER DRAWING	
SCALE: 4:1		SHEET: 1 OF 1		REV: A2		RESTRICTED TO: -	