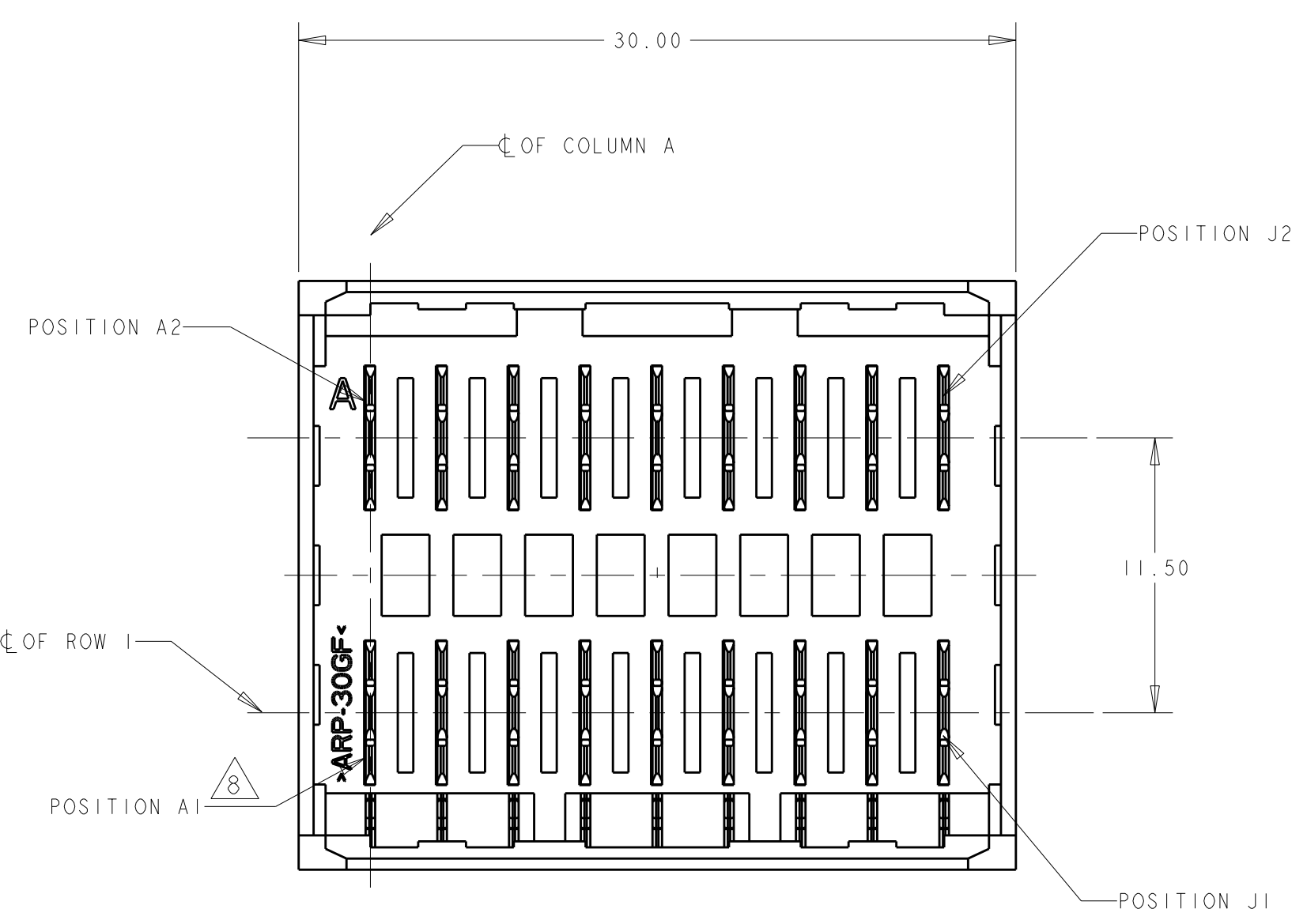
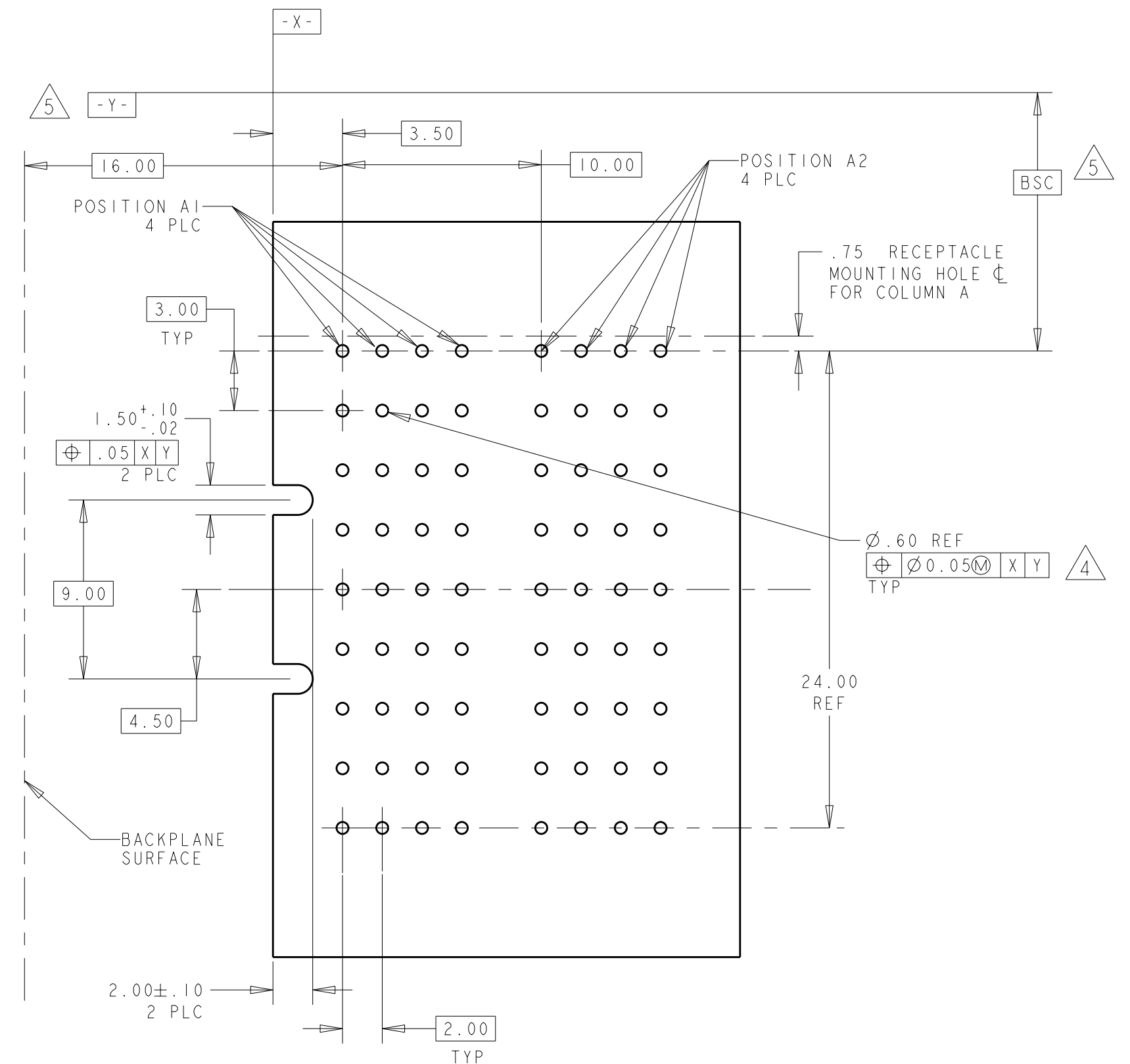
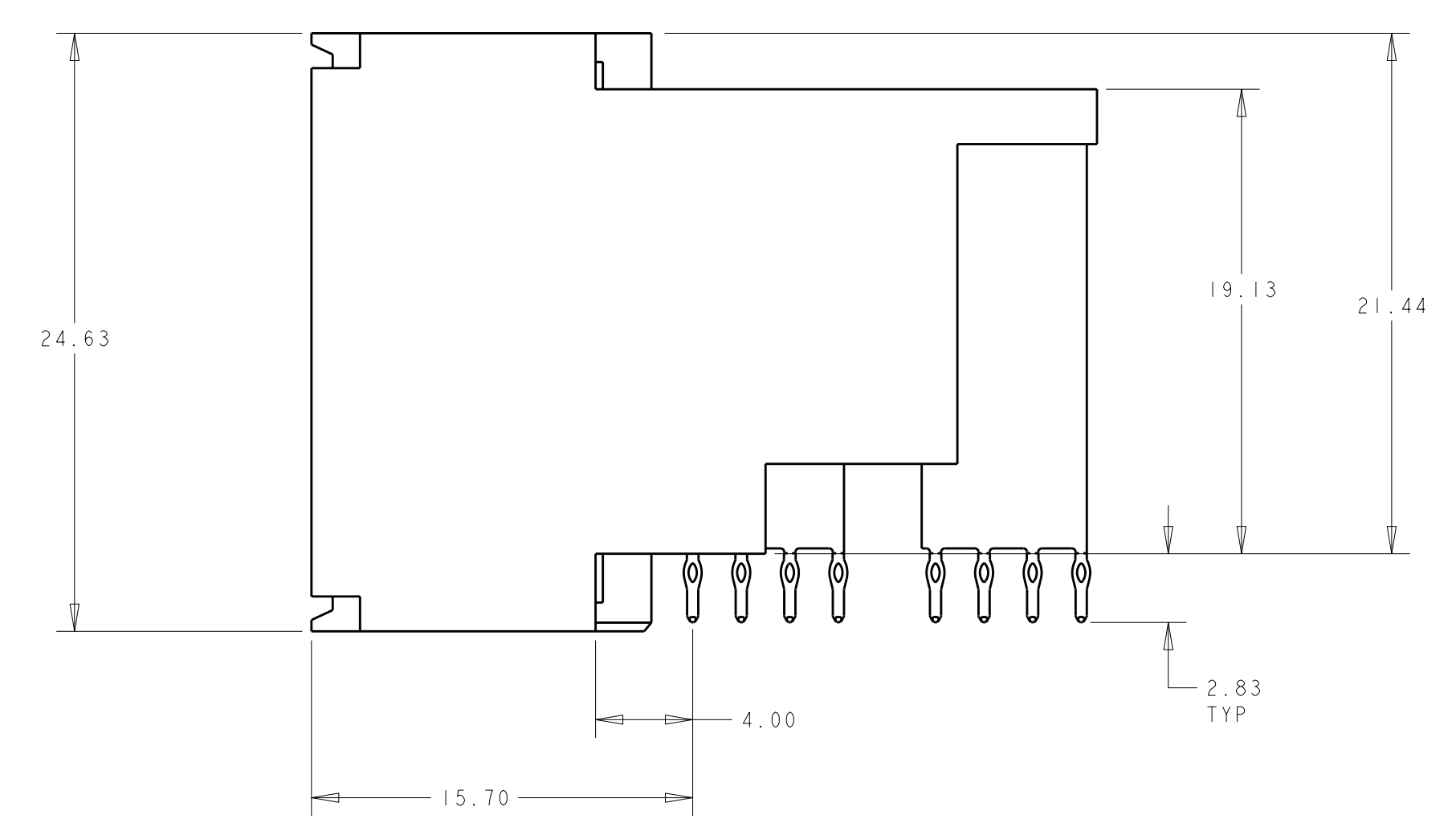
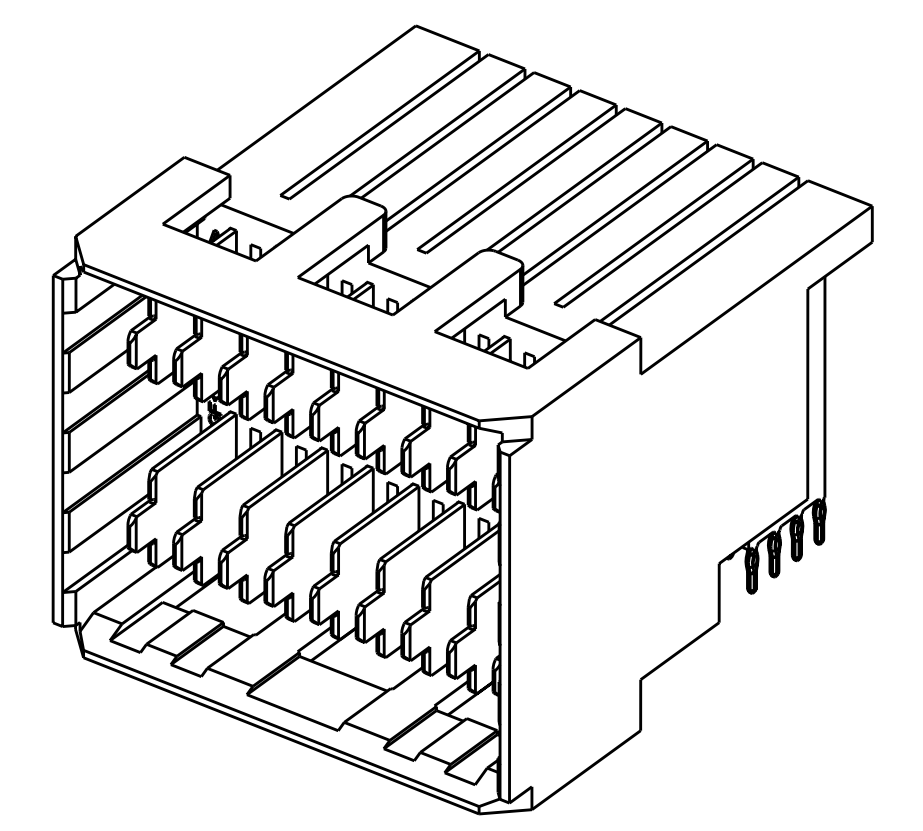
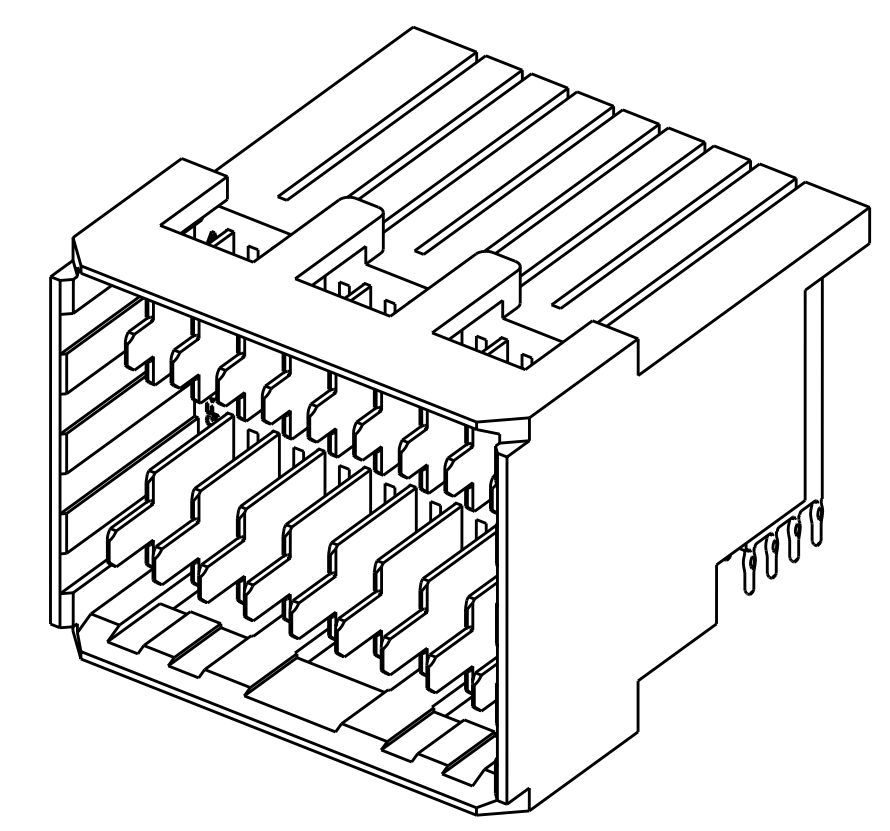
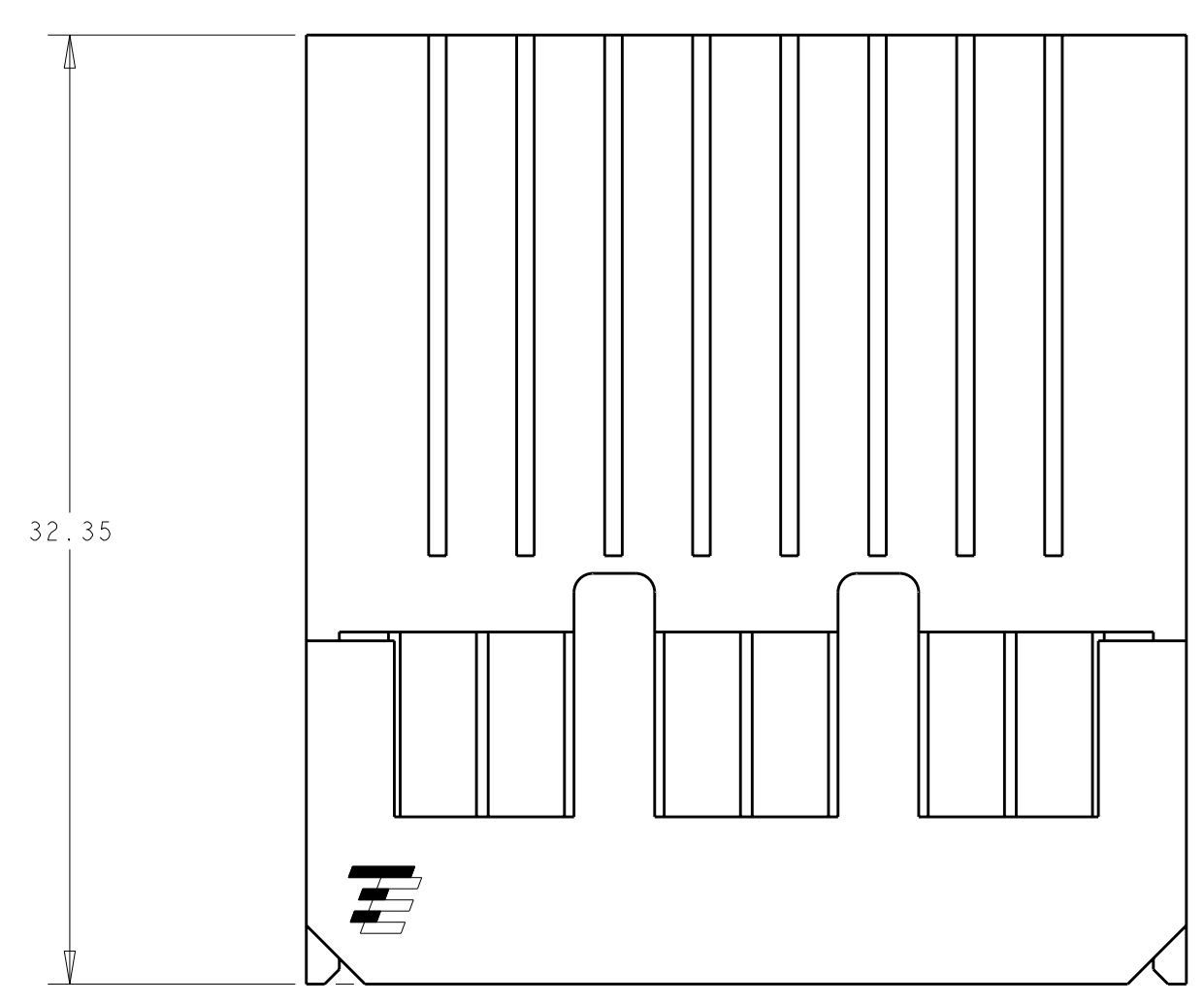
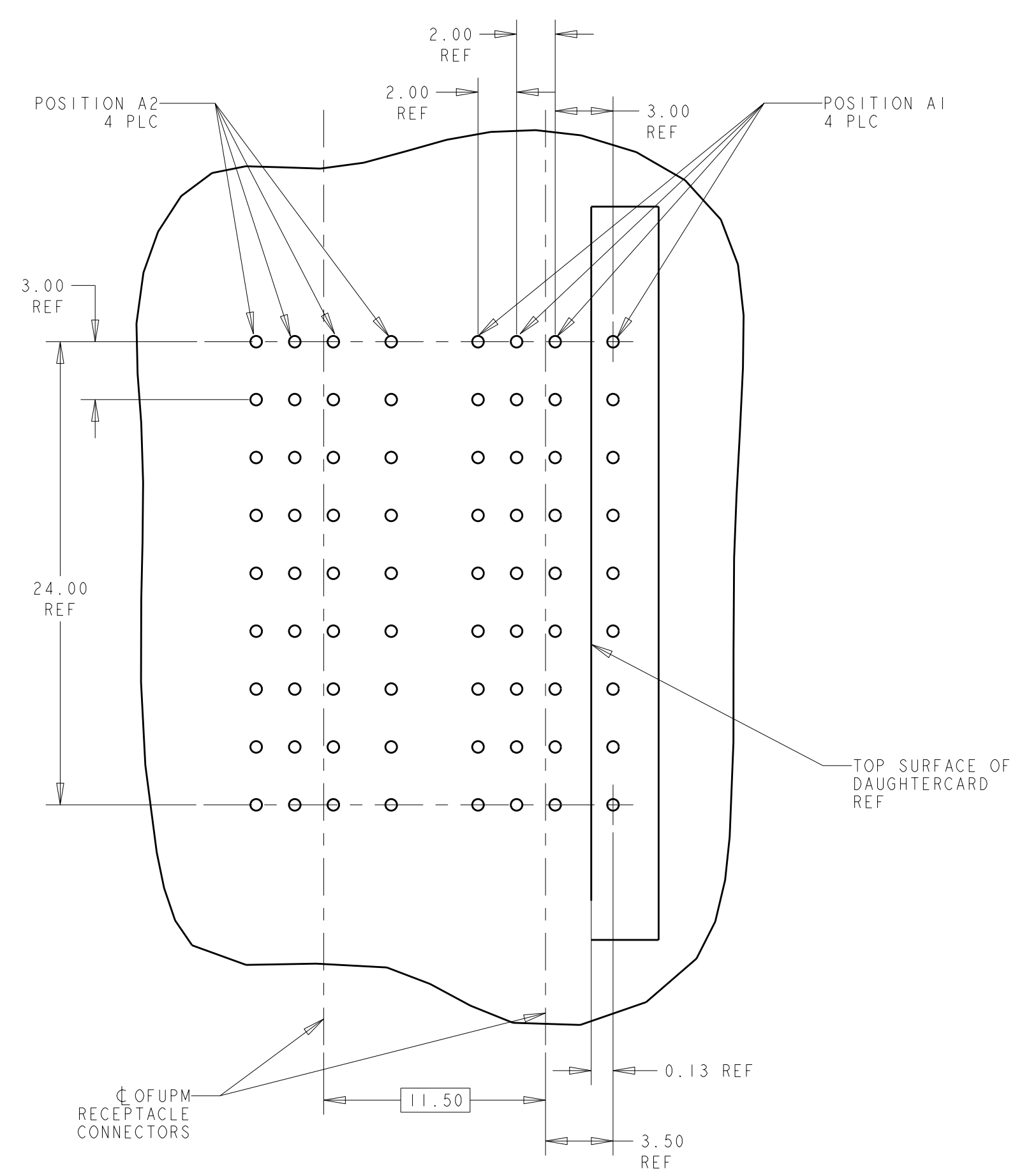


LOC	DIST	REV	DATE	DWN	APVD
GP	00	A	RELEASED PER ECO-08-031666	29DEC2008	RG PD

- 1 MATERIAL: HOUSING: POLYESTER. COLOR: BLACK, UL 94 V-0
CONTACT: COPPER ALLOY.
- 2 FINISH: CONTACT MATING AREA: 0.00076 mm MIN GOLD PLATE OVER 0.00127 mm MIN NICKEL, OR 0.0005 mm MIN GOLD OVER 0.00064 mm PALLADIUM-NICKEL OVER 0.00127 mm MIN NICKEL.
COMPLIANT TAIL AREA: 0.0005 mm MIN BRIGHT TIN-LEAD PLATE OVER 0.00127 mm NICKEL UNDERPLATE.
- 3 TAILS OF MATING UPM STYLE RECEPTACLE ARE OFFSET BY .75 mm FROM TAILS OF THIS CONNECTOR. SEE CUSTOMER DRAWING 120992 FOR RECEPTACLE EXAMPLE. SEE APPLICATION SPEC 114-1103 FOR MORE DETAILED DESCRIPTION OF THE TAIL OFFSETS.
- 4 PC BOARD HOLE SPECIFICATIONS:
 DRILLED HOLE SIZE: 0.700±0.02 mm
 FINISHED HOLE SIZE: 0.60±0.05 mm
 PLATING THICKNESS:
 0.025 - 0.050 mm COPPER
 0.004 - 0.010 mm HASL TIN/LEAD
 0.0005 mm MIN IMMERSION TIN
 0.0002 - 0.0005 mm OSP
 0.0001mm MIN IMMERSION SILVER
 0.0001-0.0005 mm IMMERSION GOLD OVER 0.004-0.005 mm NICKEL
- 5 DATUM AND BASIC DIMENSIONS ESTABLISHED BY CUSTOMER.
- 6 MINIMUM REQUIRED PC BOARD THICKNESS IS 1.44mm.
- 7 CONTACT AREA LUBRICATED WITH BELLCORE APPROVED LUBRICANT. TECHNICAL REFERENCE GR-12178- CORE, ISSUE 1 NOVEMBER 1995.
- 8 POSITION A1 IS AT MATERIAL ID.

MATING RECEPTACLE PCB LAYOUT 3



RECOMMENDED PCB LAYOUT 6

LONG PIN LOCATION		SHORT PIN LOCATION		PART NO
ALL		ALL		1926229-2
ALL		ALL		1926229-1

DWN	04OCT2006	Tyco Electronics Harrisburg, PA 17105-3608
CHK	N. REESER	
APVD	N. REESER	
PRODUCT SPEC	108-2289	
APPLICATION SPEC		
WEIGHT		RESTRICTED TO
CUSTOMER DRAWING		SCALE 3:1

DIMENSIONS:	TOLERANCES UNLESS OTHERWISE SPECIFIED:
mm	9 PLC ±.25
	1 PLC ±.25
	5 PLC ±.25
	4 PLC ±.25
	ANGLES ±1°
MATERIAL	FINISH