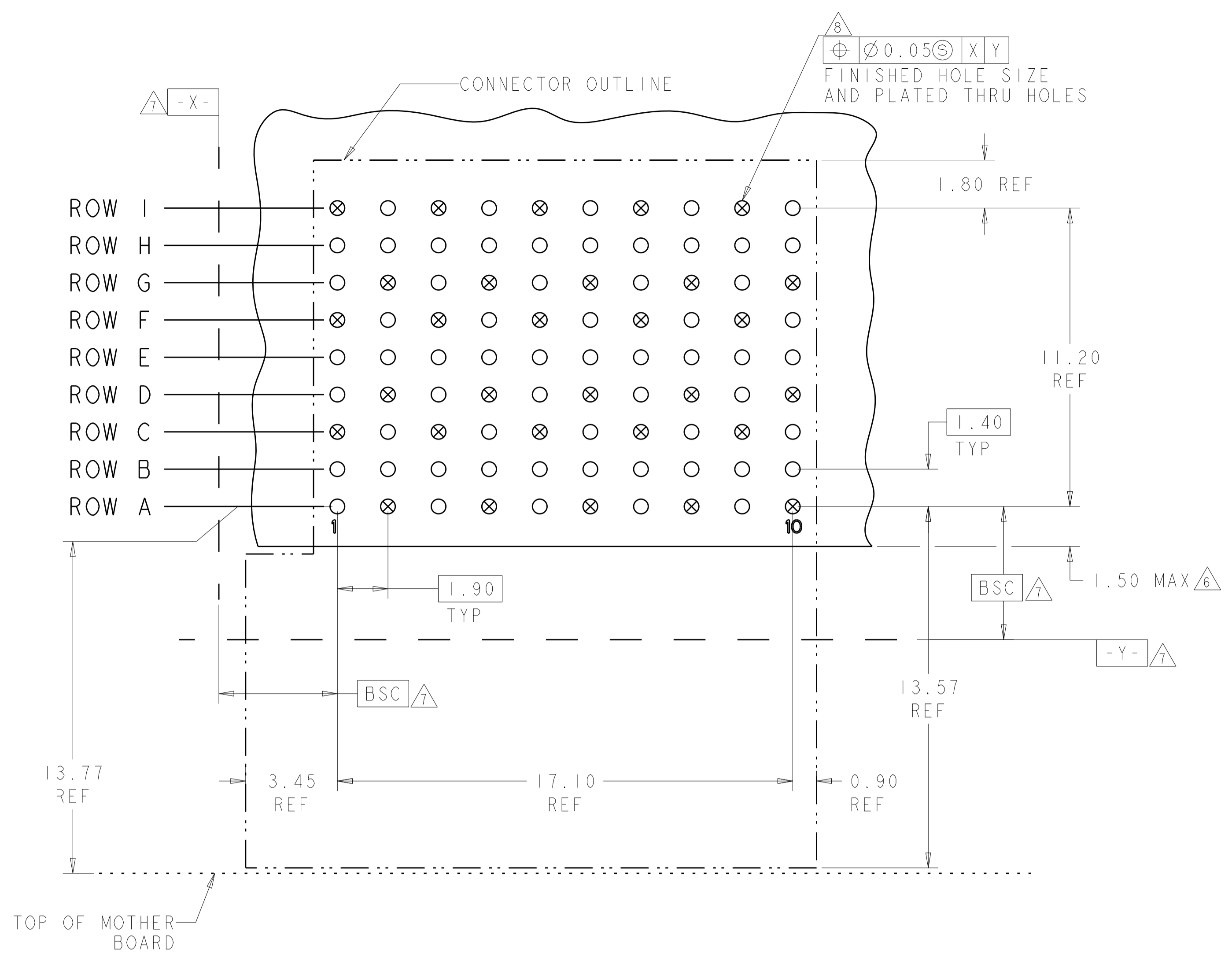


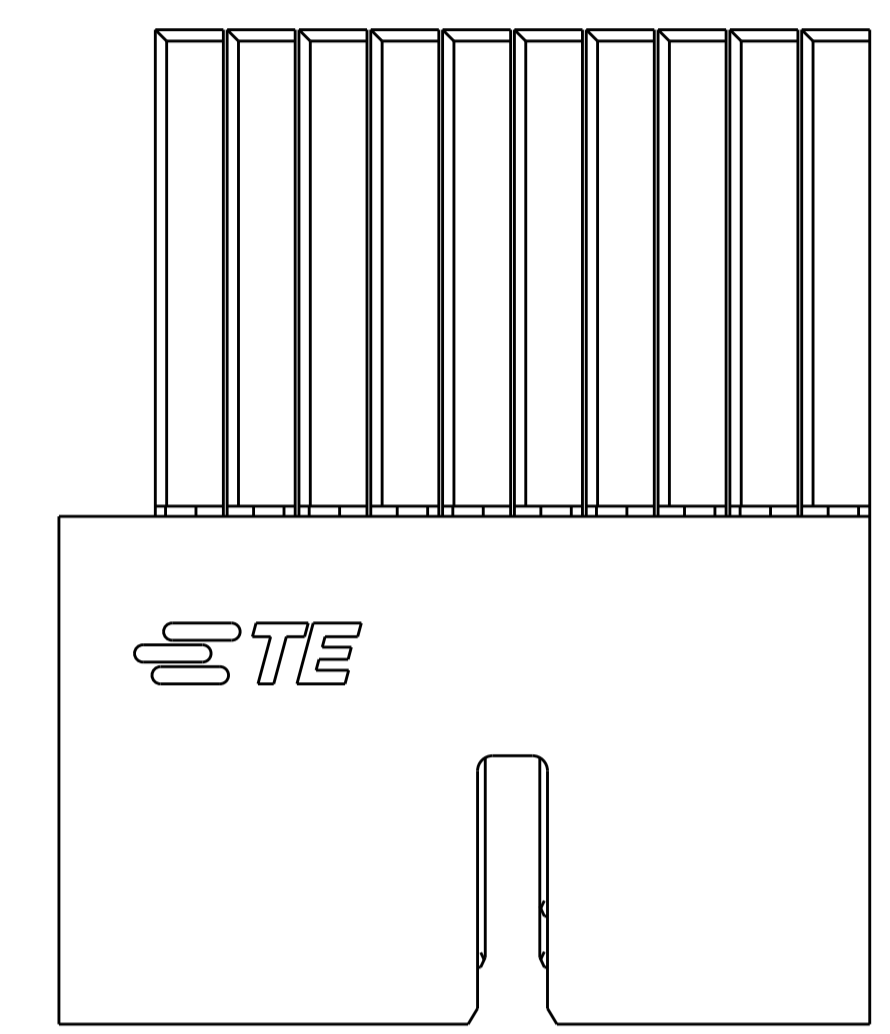
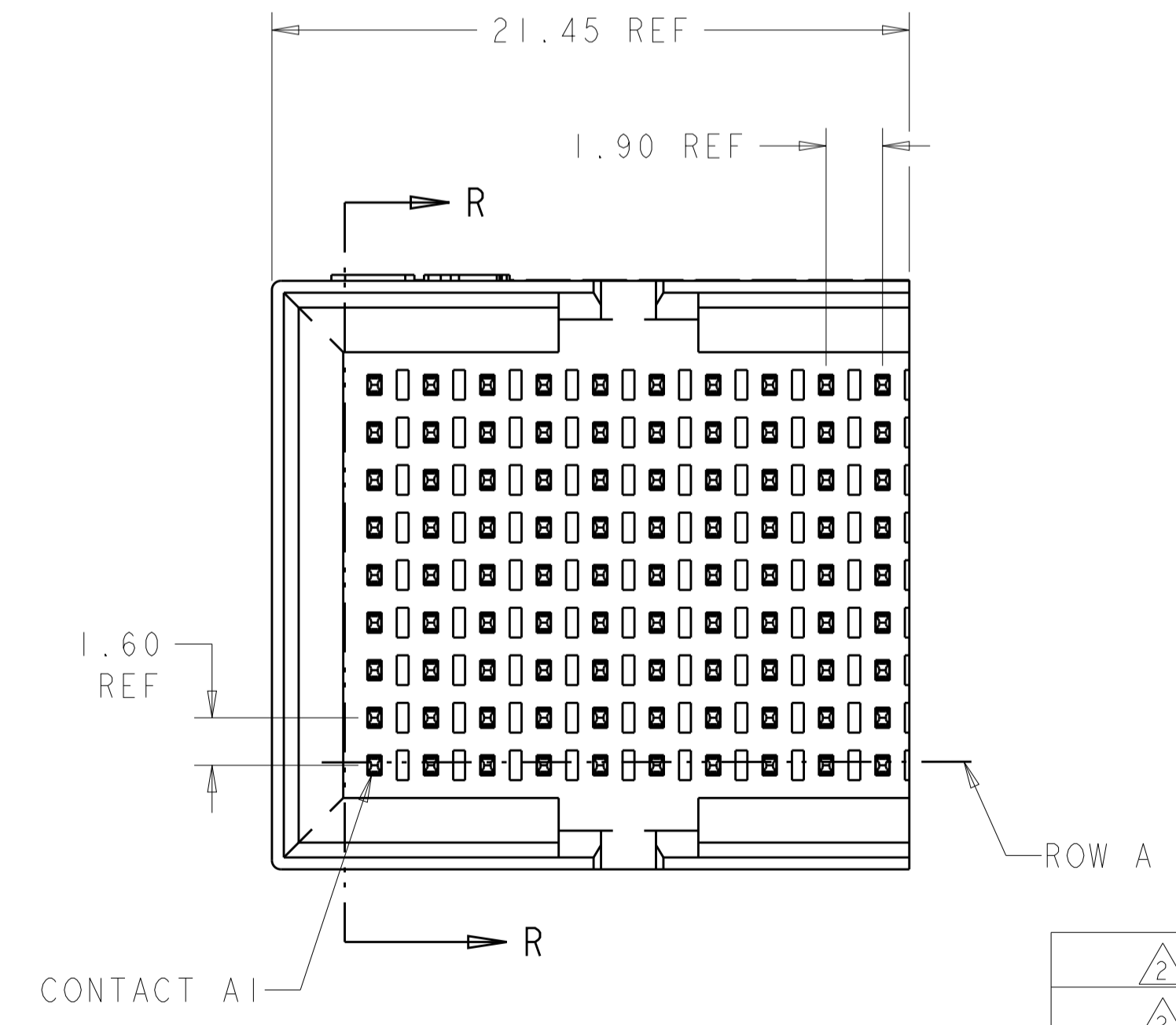
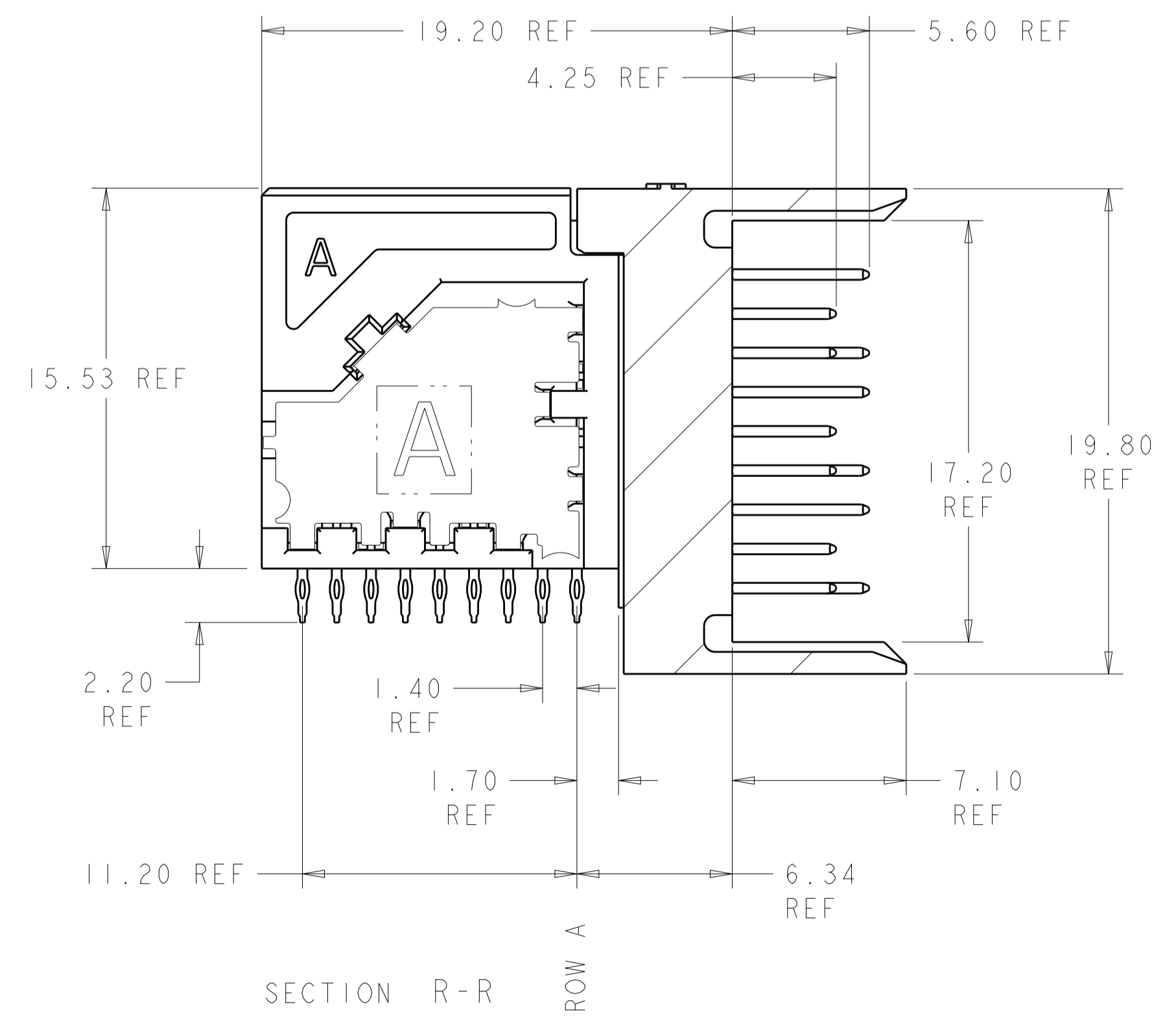
LOC		DIST		REVISIONS			
P	LTN	DESCRIPTION	DATE	DMN	APVD	CT	DH
B		REV PER ECO 12-010940	2-29-12	CT	DH		



○ = SIGNAL
 ⊗ = GROUND

RECOMMENDED PC BOARD LAYOUT
 COMPONENT SIDE SHOWN
 SCALE 8:1

- △ MATERIAL:
CONTACT AND SHIELD: COPPER ALLOY
HOUSING AND CHICKLET: LCP, COLOR: BLACK
- △ FINISH:
CONTACT: MATING AREA: 1.27µm MIN GOLD OVER
1.27µm MIN NICKEL
SHIELD: 1.27µm MIN NICKEL
- △ FINISH:
COMPLIANT PIN AREA: 0.38µm MIN BRIGHT TIN LEAD OVER
1.27µm MIN NICKEL
- △ FINISH:
COMPLIANT PIN AREA: 0.38µm MIN MATTE TIN OVER
1.27µm MIN NICKEL
- △ FINISH:
COMPLIANT PIN AREA: 0.38µm MIN GOLD OVER
1.27µm MIN NICKEL
- △ DIMENSION APPLIES TO CENTERLINE OF THRU HOLE.
- △ DATUMS AND BASIC DIMENSIONS ESTABLISHED BY CUSTOMER.
- △ REFERENCE APPLICATION SPEC 114-13267 FOR RECOMMENDED PLATED THRU HOLE DIAMETER AND PLATING THICKNESS.
- △ ALL GROUNDS IN ODD NUMBERED COLUMNS ARE COMMONED.
ALL GROUNDS IN EVEN NUMBERED COLUMNS, EXCEPT FOR ROW A ARE COMMONED.



△ 2 △ 5	2000890-3
△ 2 △ 4	2000890-2
△ 2 △ 3	2000890-1
FINISH	PART NUMBER

DIMENSIONS:		TOLERANCES UNLESS OTHERWISE SPECIFIED:		MATERIAL:		FINISH:	
mm	0 PLC ±	1 PLC ±0.13	2 PLC ±0.05	3 PLC ±	4 PLC ±	ANGLES ±	FINISH

OWN	D. BELACK	24JUN2009	APVD	M. McALONIS	6-24-2009
CHK	A. TSANG	6-24-2009	PRODUCT SPEC	108-2409	APPLICATION SPEC
114-13267	WEIGHT	~13.58g	Customer Drawing	SCALE	5:1

NAME	SIZE	CAGE CODE	DRAWING NO	RESTRICTED TO
Fortis Zd, 3-PAIR, 10-COLUMN, MINIBOX, RIGHT ANGLE LEFT MODULE ASSEMBLY	A1	00779	C=2000890	