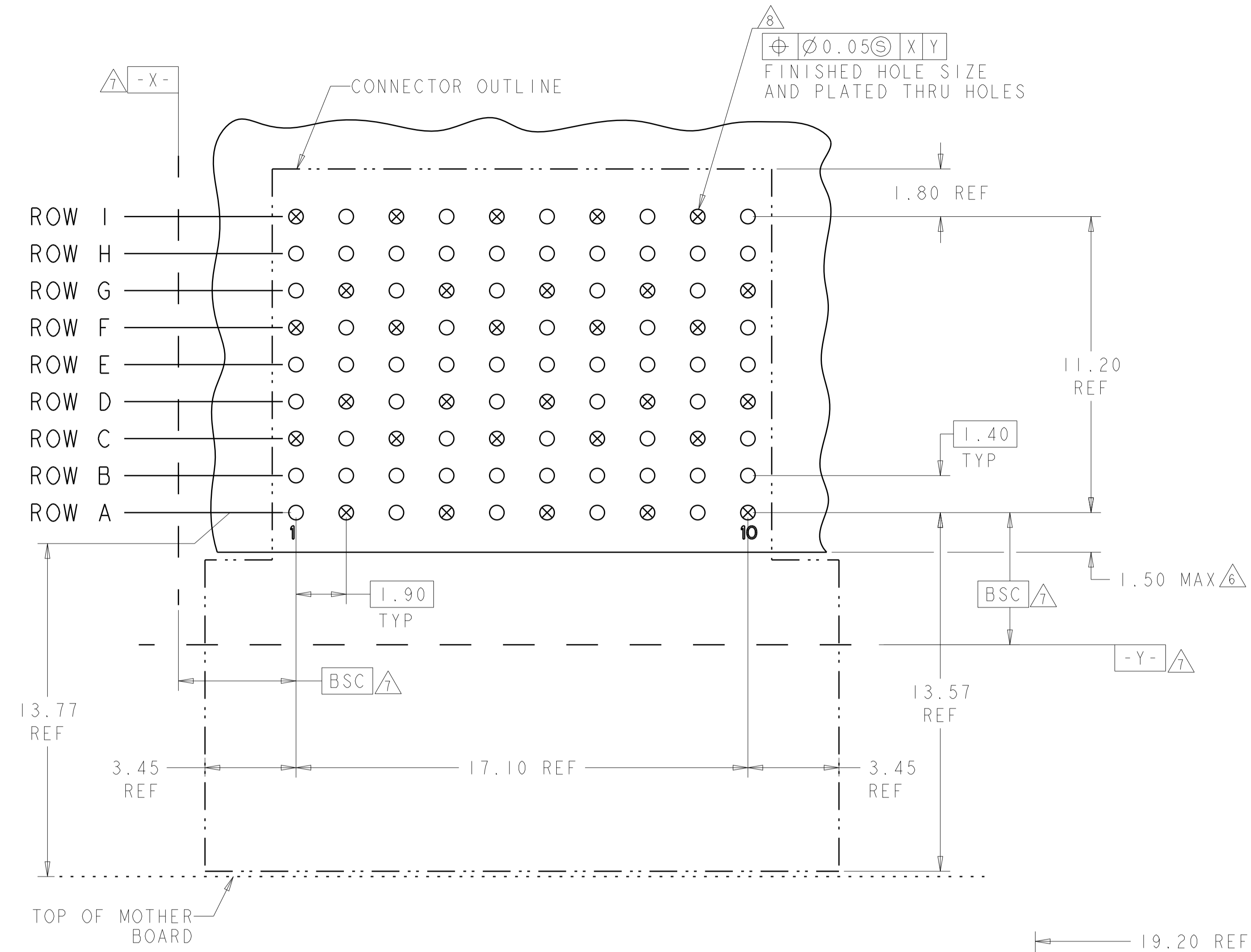


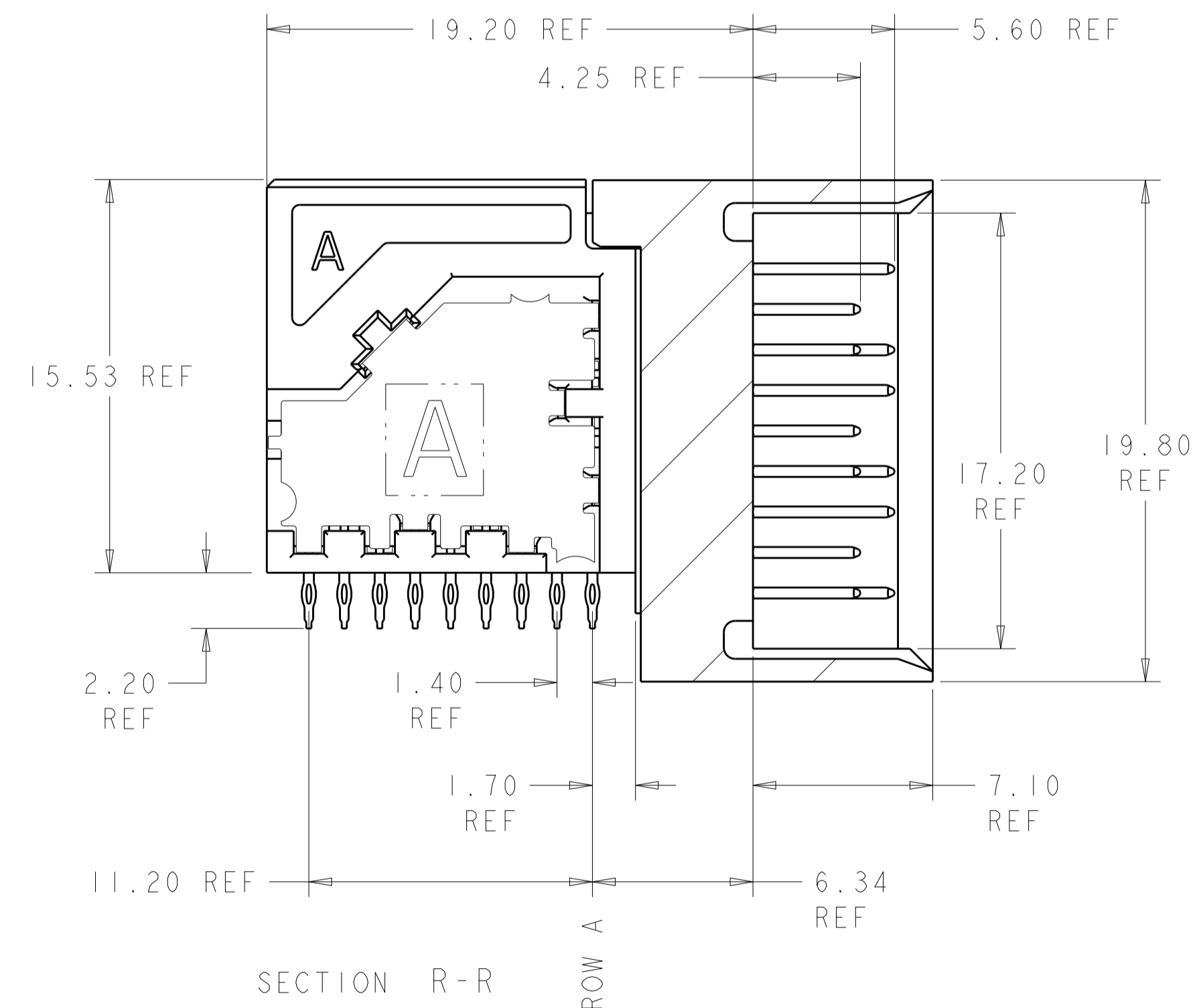
LOC		DIST		REVISIONS			
P	LTN	DESCRIPTION	DATE	DMN	APVD		
B		REV PER ECO 12-010940	7-31-12	CT	DH		



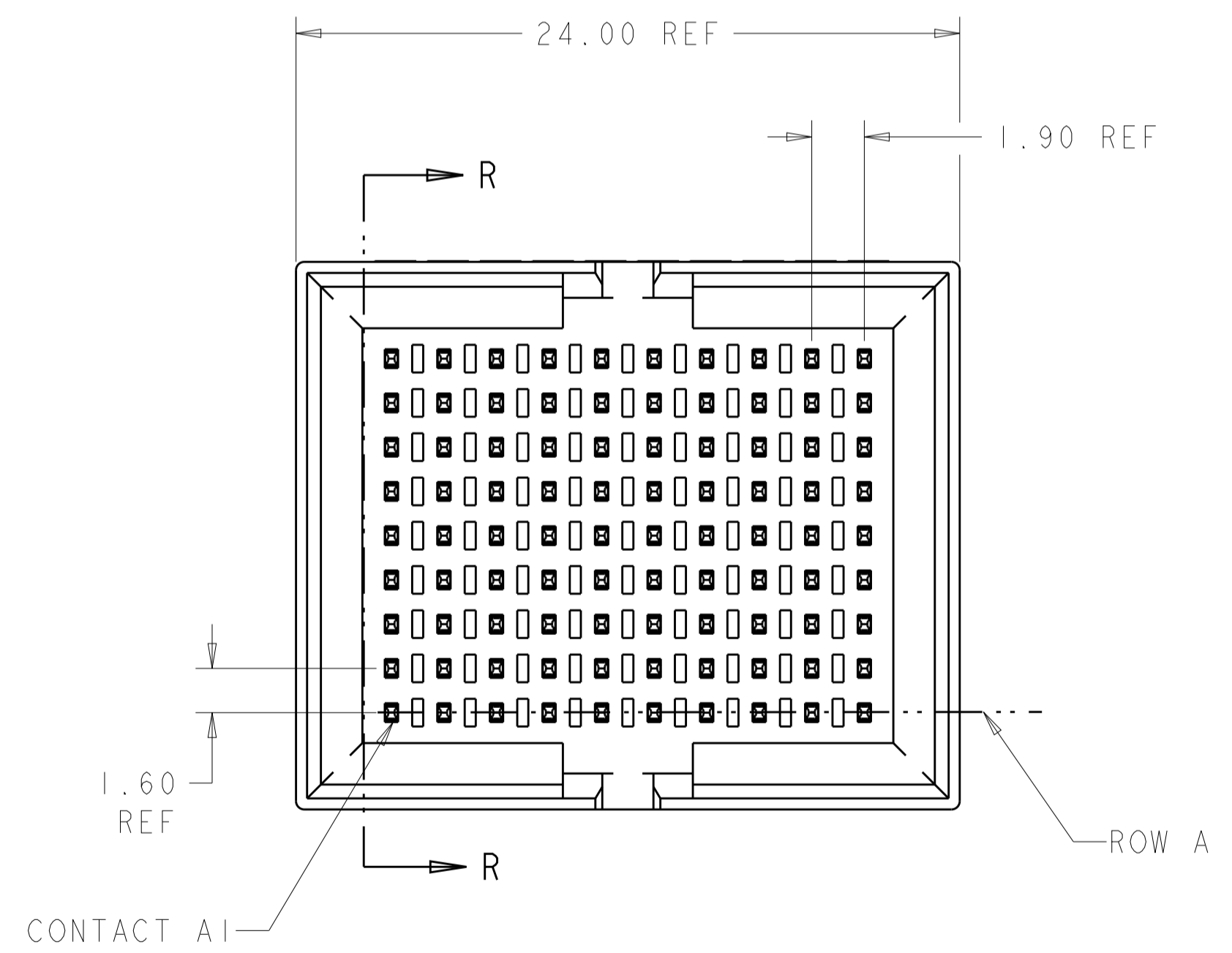
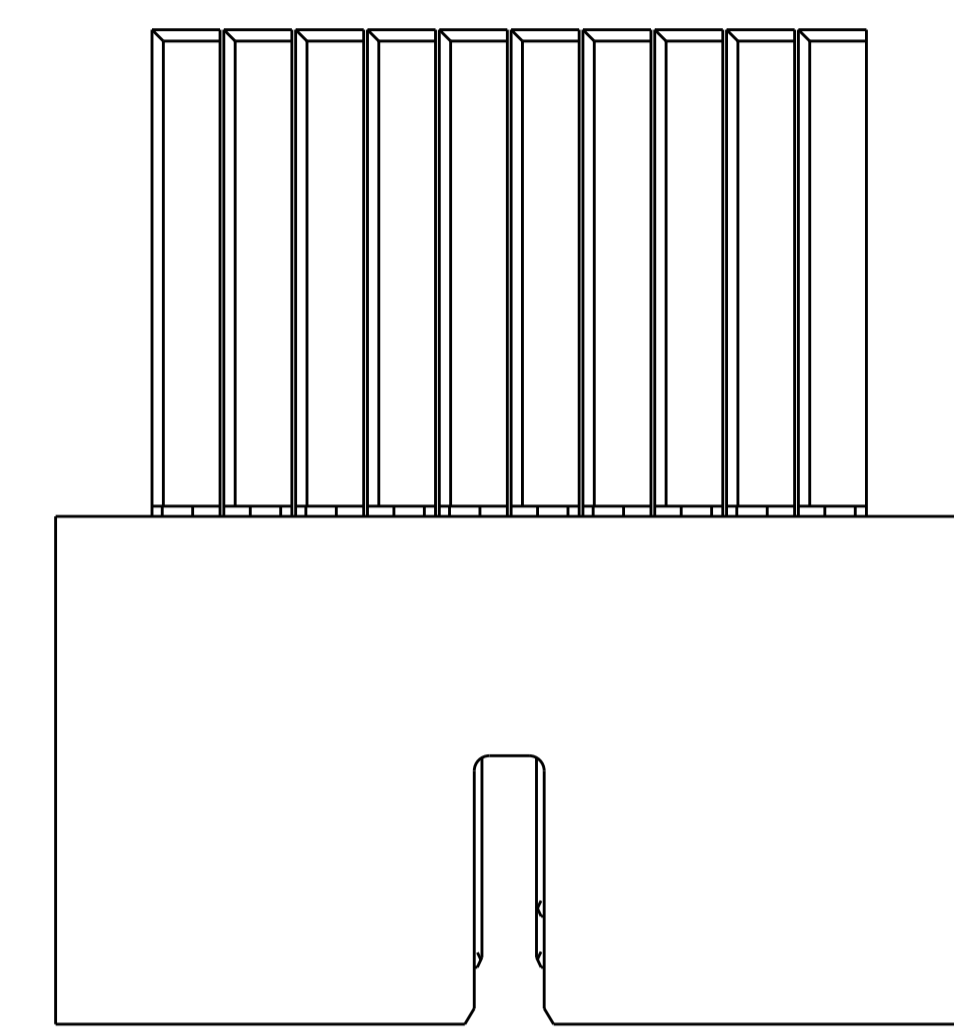
○ = SIGNAL  
 ⊗ = GROUND

RECOMMENDED PC BOARD LAYOUT  
 COMPONENT SIDE SHOWN  
 SCALE 8:1

- 1 MATERIAL:  
CONTACT AND SHIELD: COPPER ALLOY  
HOUSING AND CHICKLET: LCP, COLOR: BLACK
- 2 FINISH:  
CONTACT: MATING AREA: 1.27µm MIN GOLD OVER  
1.27µm MIN NICKEL  
SHIELD: 1.27µm MIN NICKEL
- 3 FINISH:  
COMPLIANT PIN AREA: 0.38µm MIN BRIGHT TIN LEAD OVER  
1.27µm MIN NICKEL
- 4 FINISH:  
COMPLIANT PIN AREA: 0.38µm MIN MATTE TIN OVER  
1.27µm MIN NICKEL
- 5 FINISH:  
COMPLIANT PIN AREA: 0.38µm MIN GOLD OVER  
1.27µm MIN NICKEL
- 6 DIMENSION APPLIES TO CENTERLINE OF THRU HOLE.
- 7 DATUMS AND BASIC DIMENSIONS ESTABLISHED BY CUSTOMER.
- 8 REFERENCE APPLICATION SPEC 114-13267 FOR RECOMMENDED PLATED THRU HOLE DIAMETER AND PLATING THICKNESS.
- 9 ALL GROUNDS IN ODD NUMBERED COLUMNS ARE COMMONED.  
ALL GROUNDS IN EVEN NUMBERED COLUMNS, EXCEPT FOR ROW A ARE COMMONED.



SECTION R-R



2 5	2102155-3
2 4	2102155-2
2 3	2102155-1
FINISH	PART NUMBER

THIS DRAWING IS A CONTROLLED DOCUMENT.

DMN: D. BELACK	24JUN2009	TE Connectivity NAME: Fortis Zd, 3-PAIR, 10-COLUMN, R/A, FULL SHROUD ASSEMBLY
CHK: A. TSANG	6-24-2009	
APVD: M. McALONIS	6-24-2009	SIZE: CAGE CODE: DRAWING NO: RESTRICTED TO
DIMENSIONS: mm		SCALE: 5:1 SHEET 1 OF 1 REV B
TOLERANCES UNLESS OTHERWISE SPECIFIED:		
0 PLC ±		
1 PLC ±.13		
2 PLC ±.25		
3 PLC ±.50		
4 PLC ±.75		
ANGLES ±		
MATERIAL: FINISH:	WEIGHT: ~14.10g	
CUSTOMER DRAWING		