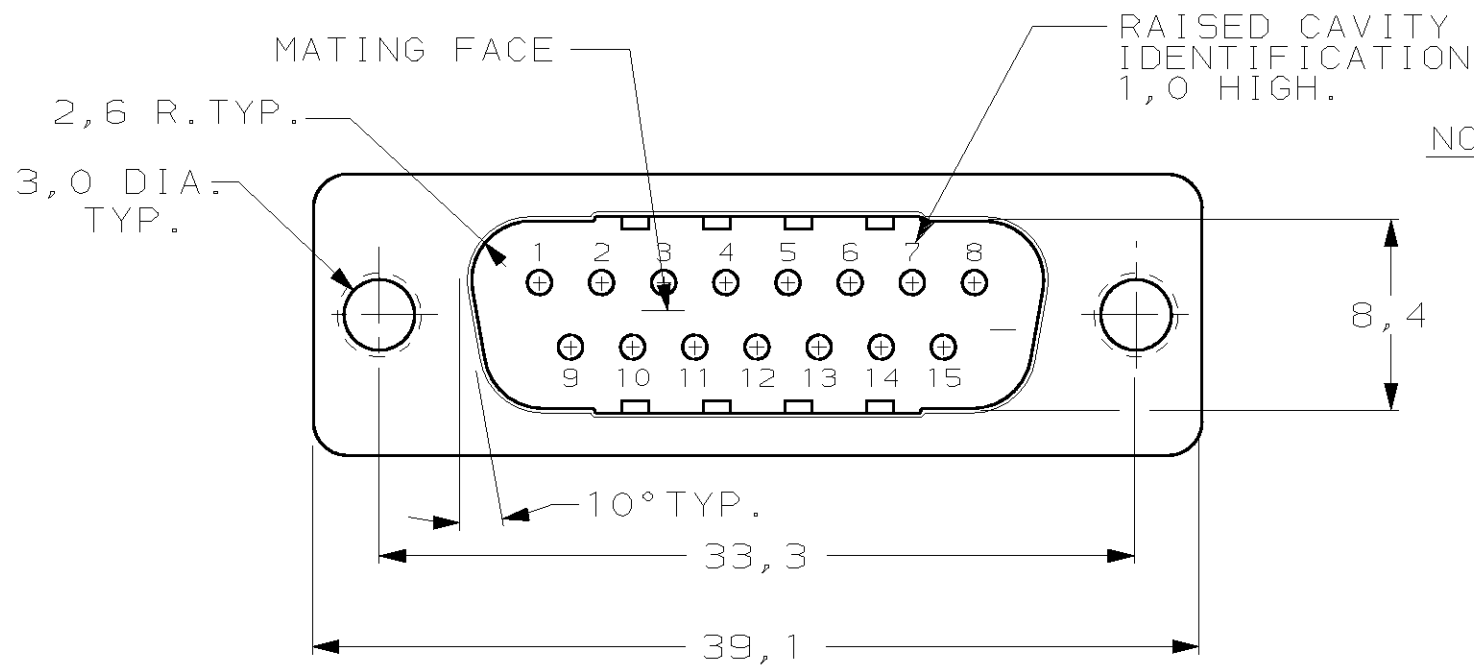
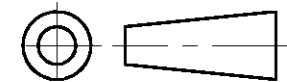


DO NOT SCALE

DIMENSIONS IN mm

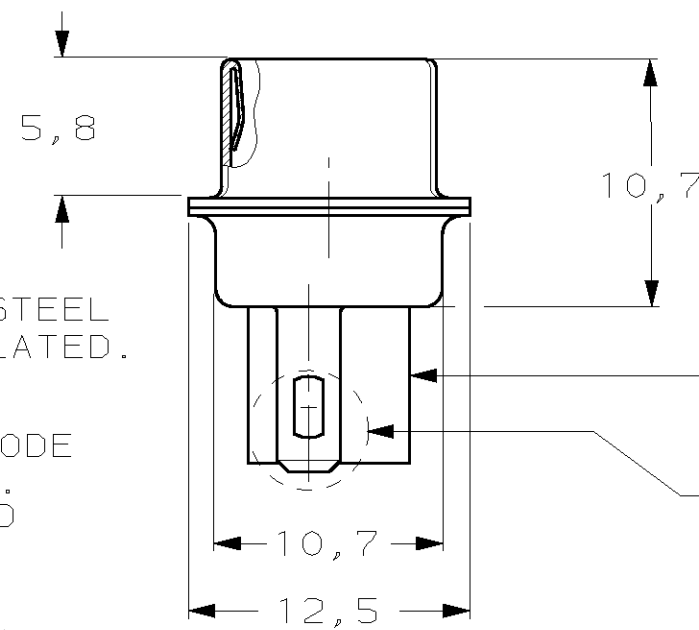
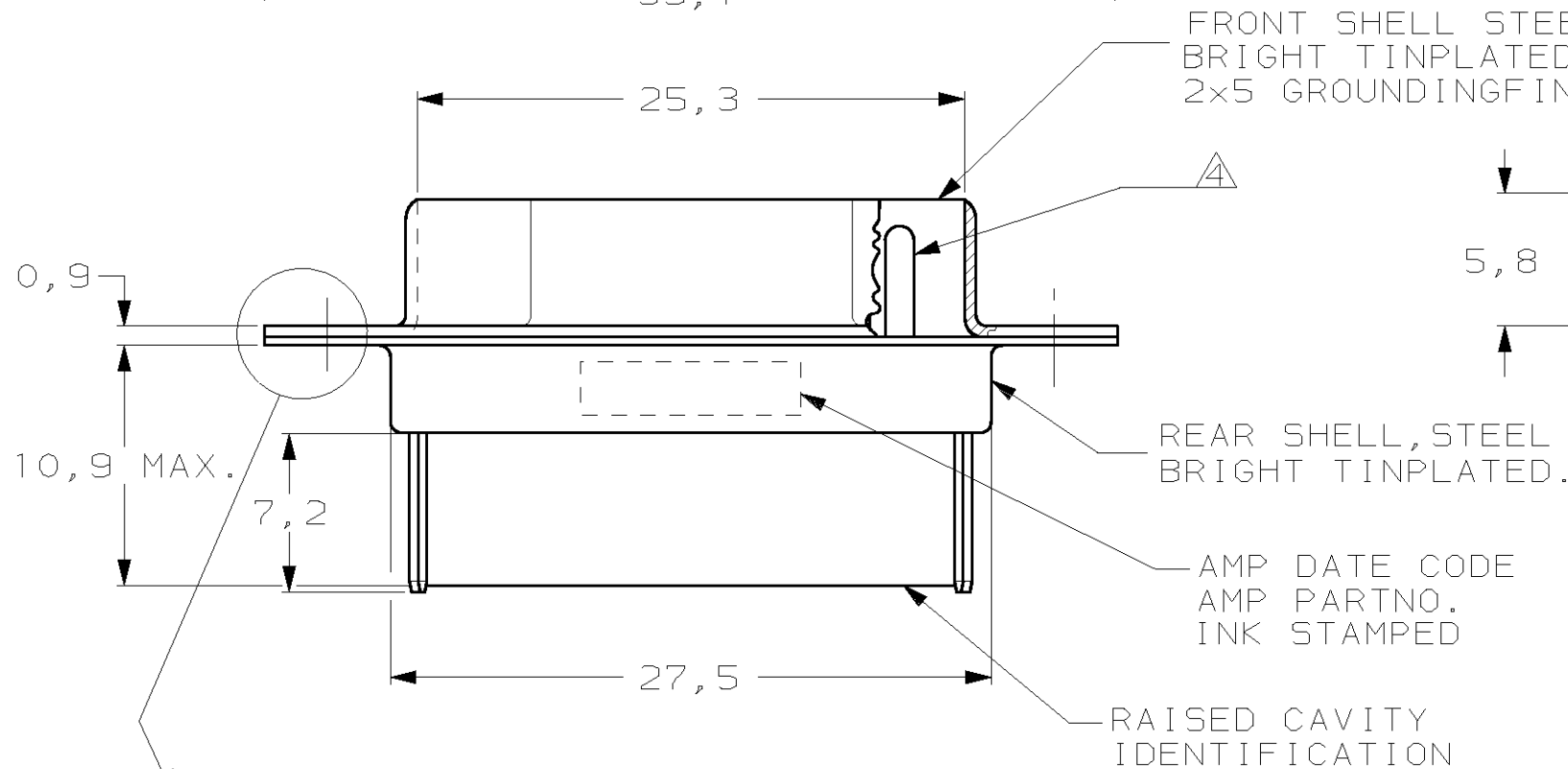
METRIC

THIRD ANGLE
PROJECTION

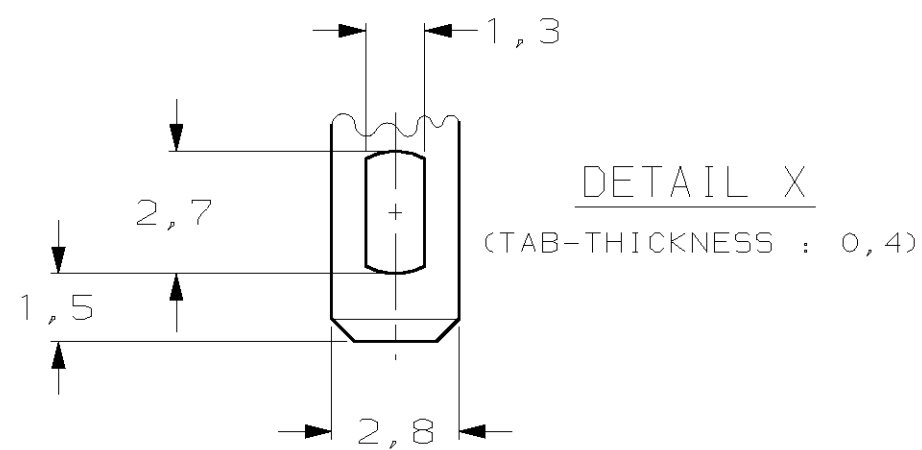
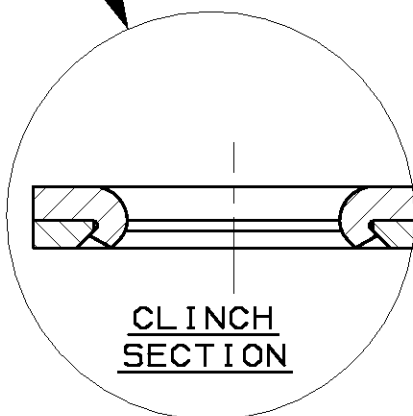


- NOTES: 1 THIS PLUG ACCEPTS SIZE 20 PIN CONTACTS
 2 MAXIMUM WIRE INSULATION RECOMMENDED FOR USE WITH THIS PLUG IS 1,73 DIA. MAX..
 3 RETENTION TINES ARE AN INTEGRAL PART OF INSERT.
 4 CONTACTS SHOWN FOR ILLUSTRATION ONLY, NO PART OF CONNECTOR PACKAGE, MUST BE ORDERED SEPARATELY.
 5 FOLLOWING INSERTION/REMOVAL TOOLS ARE RECOMMENDED FOR USE WITH THESE CONNECTORS:
- | | |
|---------------------------|---------------------------|
| 32-28AWG/28-24AWG CONT'S | 24-20AWG CONTACTS |
| 91067-3 INSERTION/REMOVAL | 91067-2 INSERTION/REMOVAL |
| 726363-1 INSERTION ONLY | 726363-1 INSERTION ONLY |
| | 726364-1 REMOVAL ONLY |

FRONT SHELL STEEL,
BRIGHT TINPLATED WITH
2x5 GROUNDING FINGERS AT 3,8 PITCH.



INSERTS: NYLON
GLASS-FILLED
SELF-EXTINGUISHING
COLOR: BLACK
SEE DETAIL X



SEE DRAWING			SEE DRAWING			215712-1		
FINISH			MATERIAL			PARTNUMBER		
-	-	-	-	-	-	CUSTOMER DRAWING FOR REFERENCE ONLY WILL NOT BE UPDATED		
-	-	-	-	-	-	© COPYRIGHT 19- BY AMP HOLLAND B.V. ALL INTERNATIONAL RIGHTS RESERVED. AMP PRODUCTS MAY BE COVERED BY U.S. AND FOREIGN AND/OR PATENTS PENDING.		
-	-	-	-	-	-	THIS DRAWING IS UNPUBLISHED RELEASED FOR PUBLICATION, 19		
-	-	-	-	-	-	TYCO ELECTRONICS NEDERLAND B.V. 's-HERTOGEBOSCH, THE NETHERLANDS.		
-	-	-	-	-	-	NAME		
C	EH01-1520-03	JvdH PDJ 22 DEC 03				HDP-20 PLUG CONNECTOR, SIZE 2, (15 POSITION) WITH SOLDER TAB.		
LTR.	REVISION RECORD		DR.	CHK.	DATE			
DR.:	L.V.D.HEIJDEN.	CHK.:	C.V.TILBURG.	APP.:	L.V.SOEST.	DWG.No.	REV.LTR.	SHEET
DATE:	30-06-87	DATE:	07-07-87	DATE:	28-07-87	C-215712	C	1 OF 1
						A3		