

4

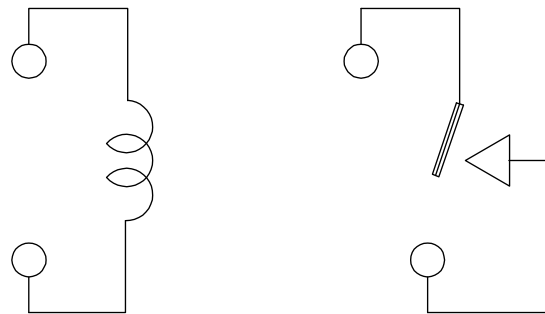
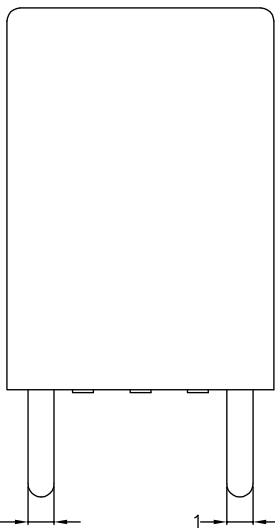
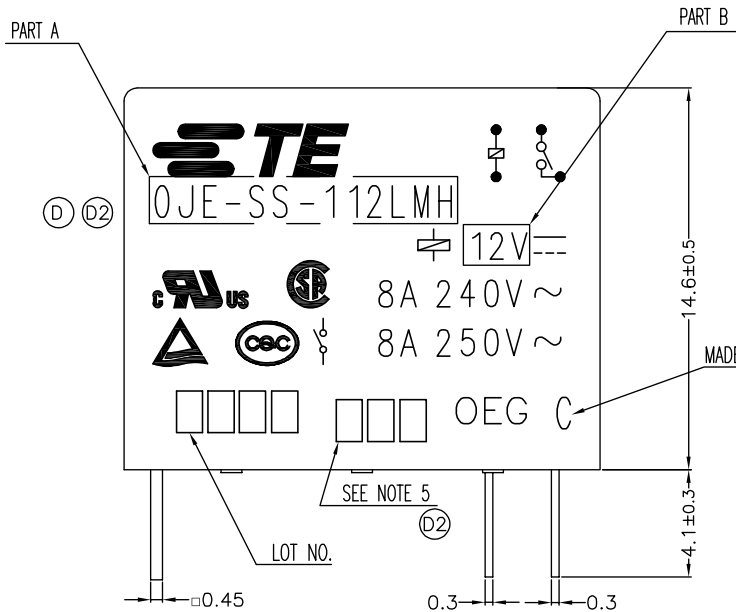
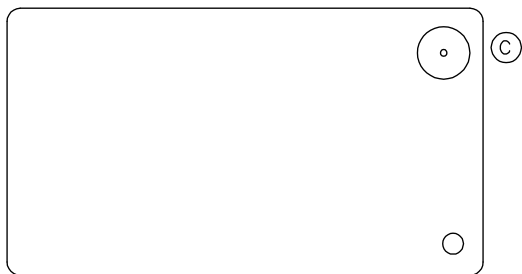
3

2

1

THIS DRAWING IS UNPUBLISHED. RELEASED FOR PUBLICATION  
 © COPYRIGHT - By - TE CONNECTIVITY ALL RIGHTS RESERVED.

LOC	DIST	REVISIONS					
		P	LTR	DESCRIPTION	DATE	DWN	APVD
HB	-		D1	REVISED PER ECO-11-005140	26MAR11	RK	HMR
			D2	CHANGE LOGO&ADD LINE IDENTIFICATION ECO-12-001771	22-Feb-12	HYS	YBH



CONNECTION FIGURE

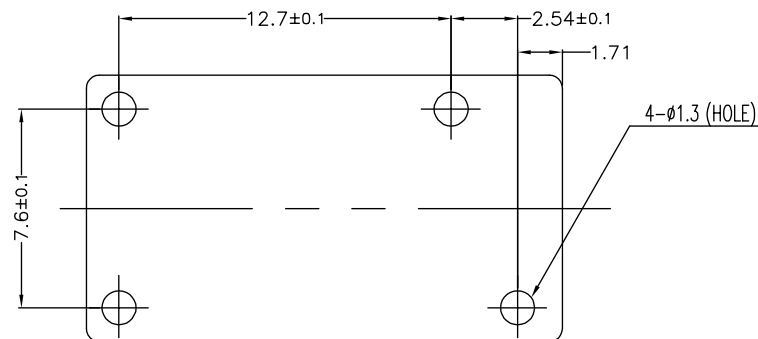
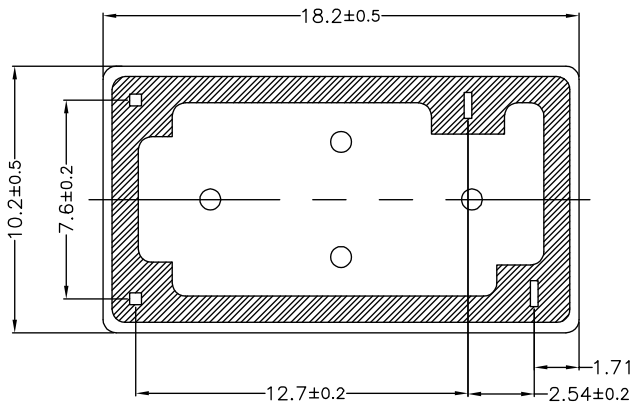


FIGURE FOR PRINTED CIRCUIT BOARD PROCESSING  
(BOTTOM VIEW)



THIS DRAWING IS A CONTROLLED DOCUMENT.		DWN	H.SASAKI						
		CHK	Y.OIKAWA						
DIMENSIONS: mm		APVD	A.NAGAI		NAME				
TOLERANCES UNLESS OTHERWISE SPECIFIED:		PRODUCT SPEC		-					
0 PLC ±- 1 PLC ±- 2 PLC ±- 3 PLC ±- 4 PLC ±- ANGLES ±-		SEE PRODUCT SPEC		OJE-SS-LMH CUSTOMER DRAWING					
MATERIAL		APPLICATION SPEC		SIZE		CAGE CODE	DRAWING NO	RESTRICTED TO	
-		-		-		A3	00779	G= 1461034	-
FINISH		WEIGHT		SCALE		SHEET		REV	
-		-		5:1		1 of 2		D2	
CUSTOMER DRAWING									

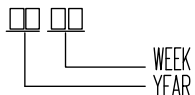
THIS DRAWING IS UNPUBLISHED. RELEASED FOR PUBLICATION  
 © COPYRIGHT - By - TE CONNECTIVITY ALL RIGHTS RESERVED.

LOC	DIST	REVISIONS					
HB	-	P	LTR	DESCRIPTION	DATE	DWN	APVD
		-		SEE SHEET 1	-	-	-

7-1419128-1	OJE-SS-124LMH	107-79010	24V	OJE-SS-124LMH	e
5-1419128-0	OJE-SS-112LMH	107-79010	12V	OJE-SS-112LMH	d
5-1419144-3	OJE-SS-109LMH	107-79010	9V	OJE-SS-109LMH	c
5-1419144-1	OJE-SS-106LMH	107-79010	6V	OJE-SS-106LMH	b
1461034-2	OJE-SS-105LMH	107-79010	5V	OJE-SS-105LMH	a
PART NO	TYPE NAME	PACKAGE SPEC	PART B	PART A	TYPE

RELAY TYPE

ⓓ Ⓞ NOTES:  
 1. LOT NO. SYSTEM AS FOLLOWING:



- ⓓ 2. TERMINAL DIMENSION IS BEFORE SOLDER DIP;
- ⓓ 3. FOR THE TIN-PLATING OF THE PINS:  
 +0.1mm FOR WIDTH, THICKNESS AND DIAMETER.  
 +0.5mm FOR LENGTH.
- ⓓ 4. MARKING FROM INK TO LASER.

ⓓ 5. ADD LOT NO. SYSTEM AS FOLLOWING;  
 I, DIGITS FOR DAY OF THE WEEK  
 1...MONDAY IN THIS WEEK;  
 2...TUESDAY IN THIS WEEK;  
 .....  
 7...SUNDAY IN THIS WEEK  
 II, DIGITS FOR SHIFT OF THE DAY  
 1...DAY SHIFT IN THIS DAY;  
 2...NIGHT SHIFT IN THIS DAY;  
 III, ONE CHARACTER DISTINGUISH THE LINE IDENTITY,  
 SUCH AS: A,B,.....Z

		EPOXY RESIN	SEAL (BASE & BOBBIN)	15
		3UEW	MAGNETIC WIRE	14
94V-0		P.B.T	CASE	13
94V-0		P.B.T	BASE	12
94V-0		P.B.T	BOBBIN	11
	SOLDER DIP	C.P WIRE	COIL TERMINAL	10
94V-0		P.P.S	CARD	9
		Ag ALLOY	MOVABLE CONTACT	8
		Ag ALLOY	NO.CONTACT	7
		STEEL	HINGE SPRING	6
	SOLDER DIP	Cu ALLOY	NO.TERMINAL	5
	SOLDER DIP	Cu ALLOY	MOVABLE SPRING	4
	NIP	STEEL	CORE	3
	NIP	STEEL	ARMATURE	2
	NIP	STEEL	YOKE	1
INCOMBUSTIBILITY	TREATMENT	MATERIAL	DESCRIPTION	ITEM

THIS DRAWING IS A CONTROLLED DOCUMENT.		DWN	H.SASAKI				
		CHK	Y.OIKAWA				
		APVD	A.NAGAI				
		PRODUCT SPEC	SEE PRODUCT SPEC				
DIMENSIONS: mm		TOLERANCES UNLESS OTHERWISE SPECIFIED:		NAME			
		0 PLC ± -		OJE-SS-LMH CUSTOMER DRAWING			
		1 PLC ± -					
		2 PLC ± -		SIZE			
		3 PLC ± -		CAGE CODE			
		4 PLC ± -		DRAWING NO			
		ANGLES ± -		RESTRICTED TO			
MATERIAL		FINISH		A3 00779 C= 1461034			
				SCALE 5:1 SHEET 2 of 2 REV D2			
CUSTOMER DRAWING							