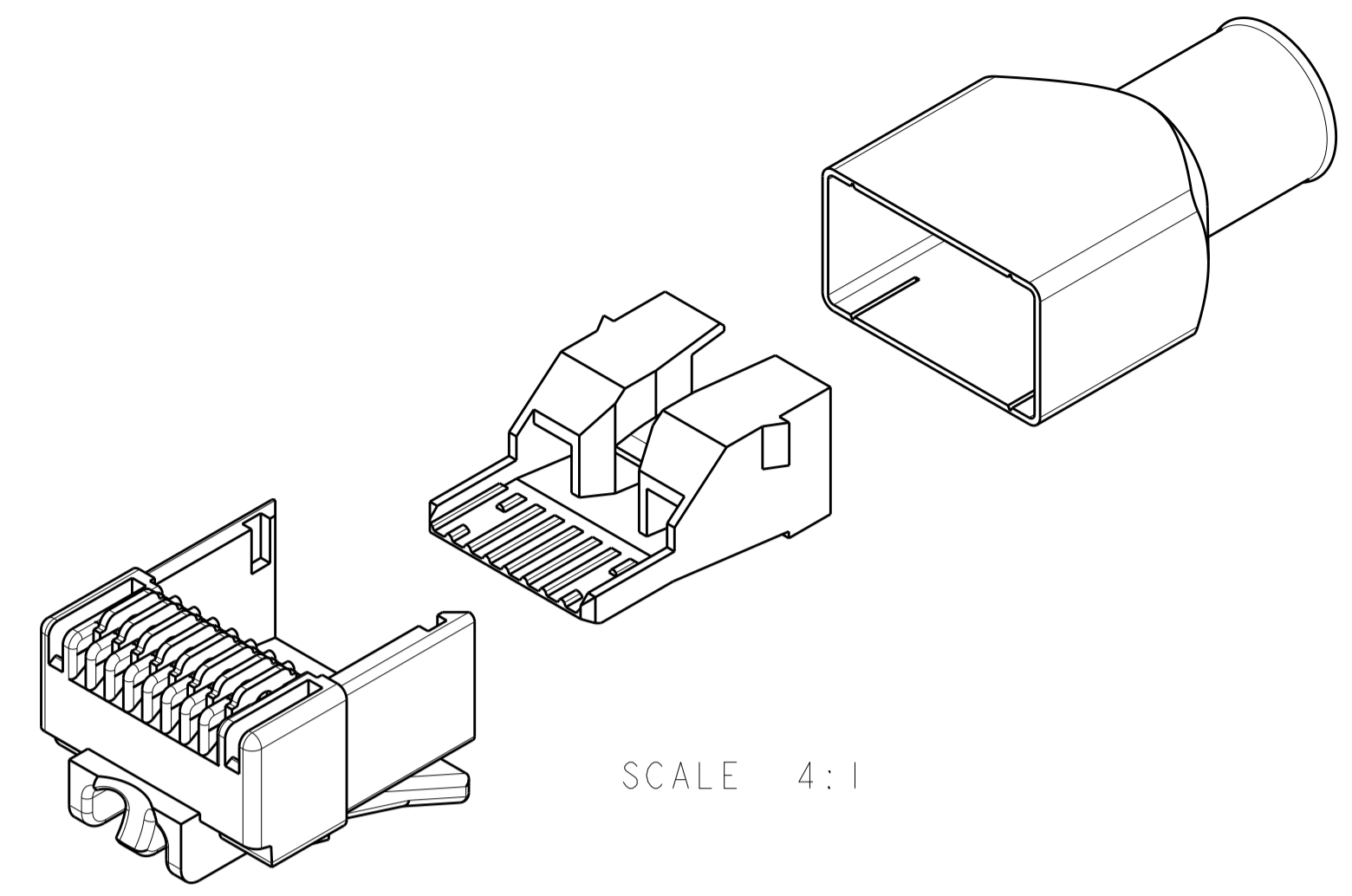
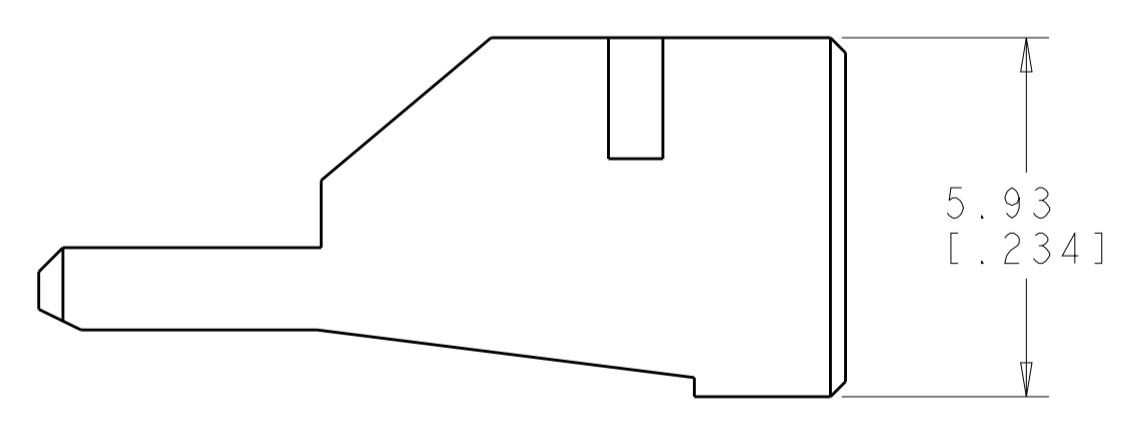
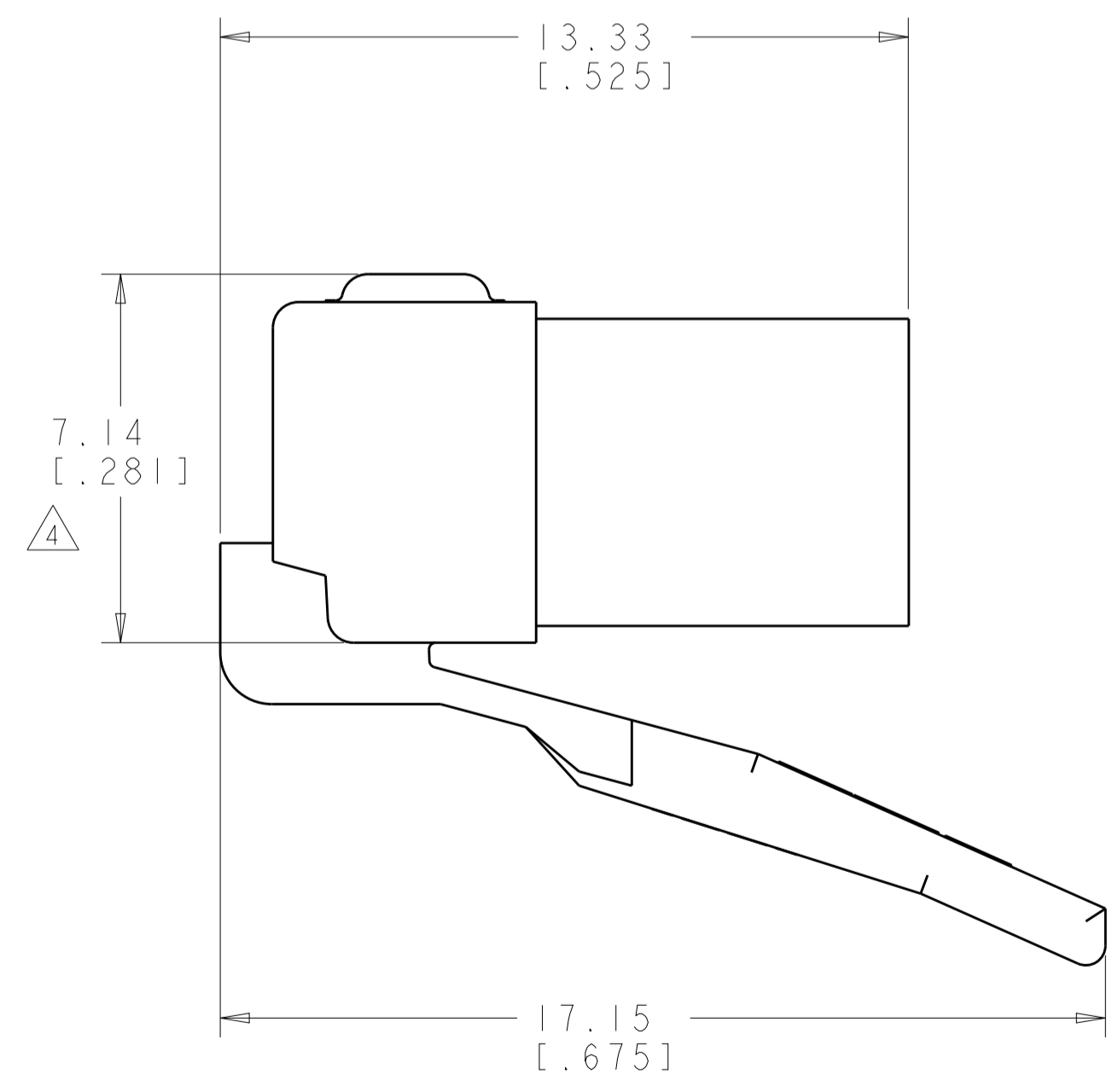
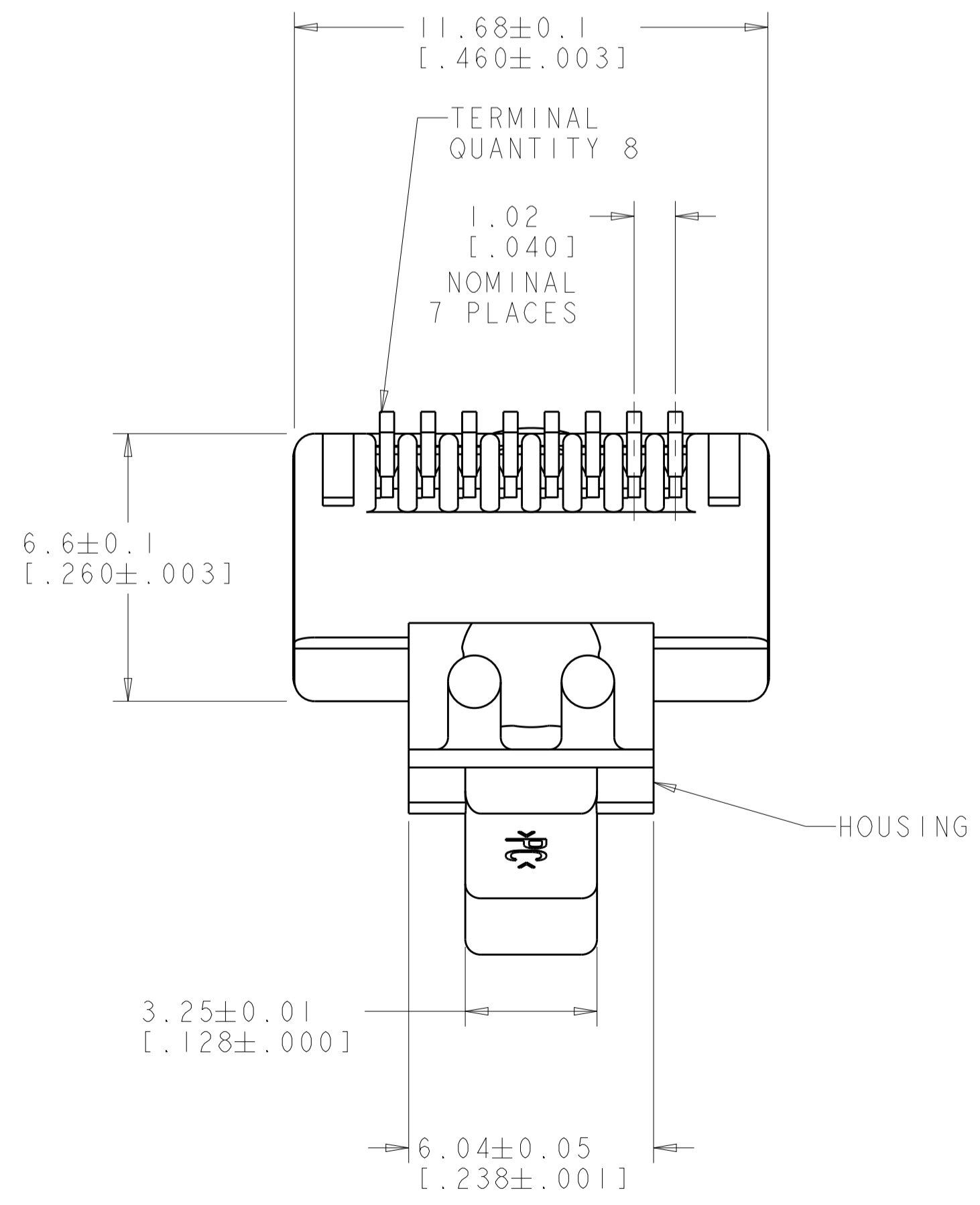
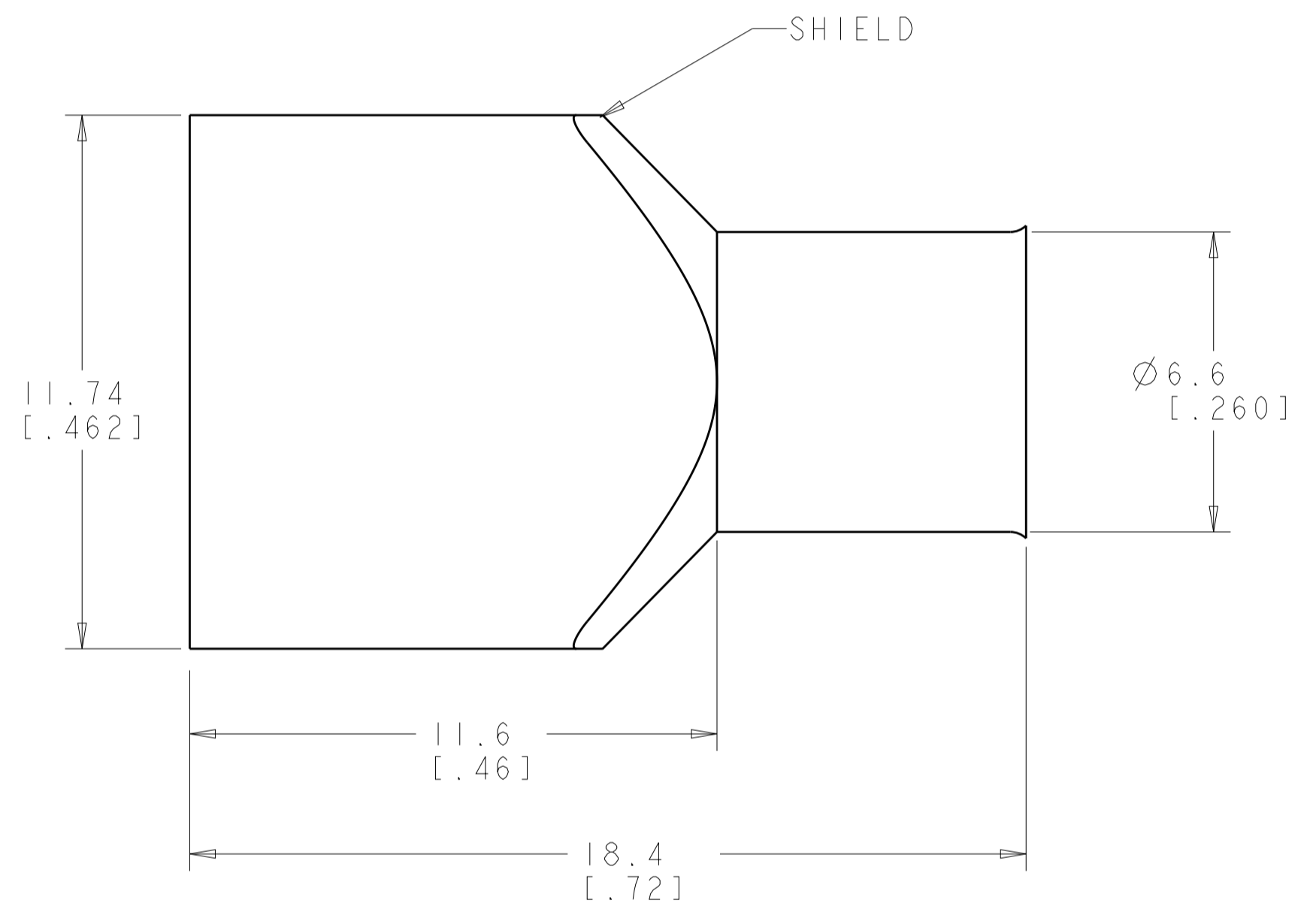
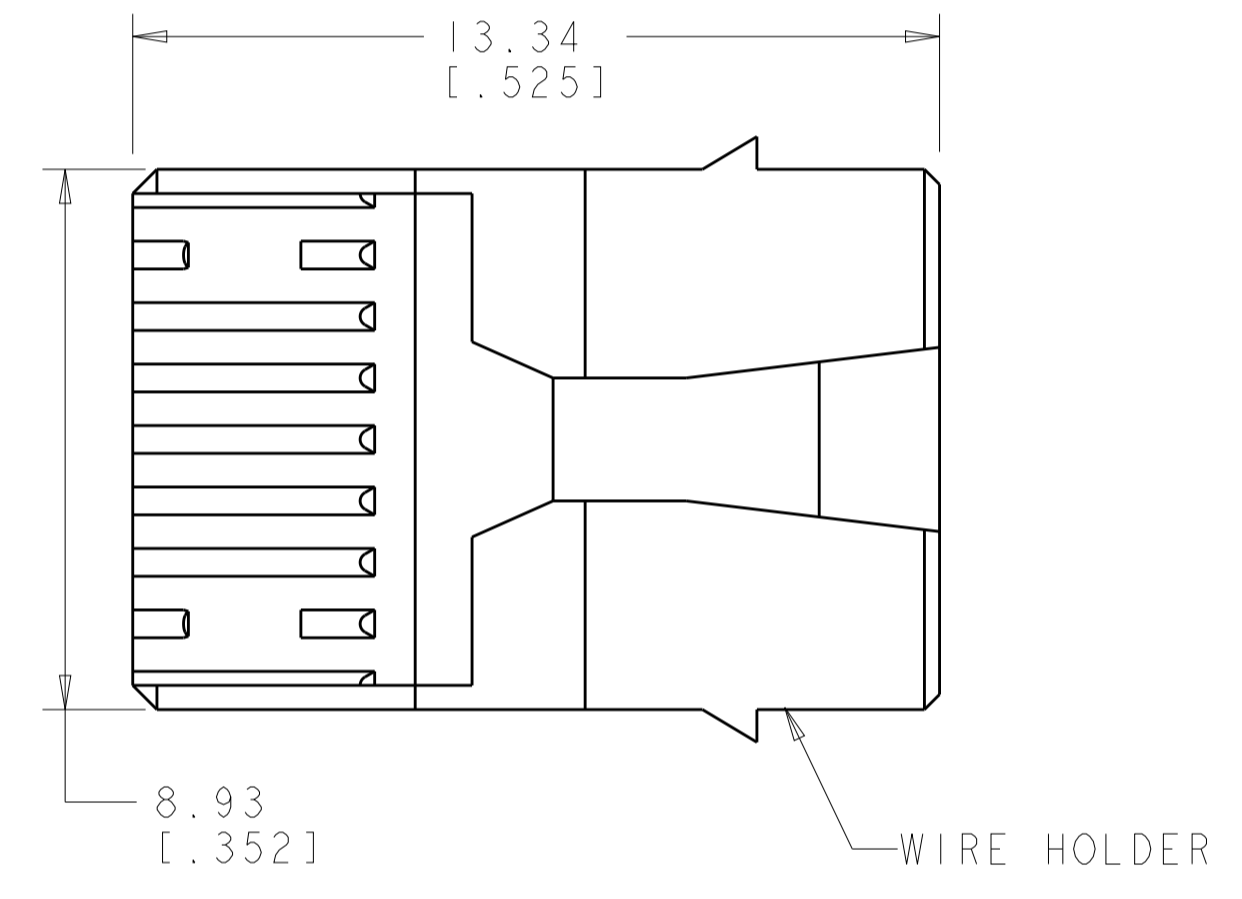
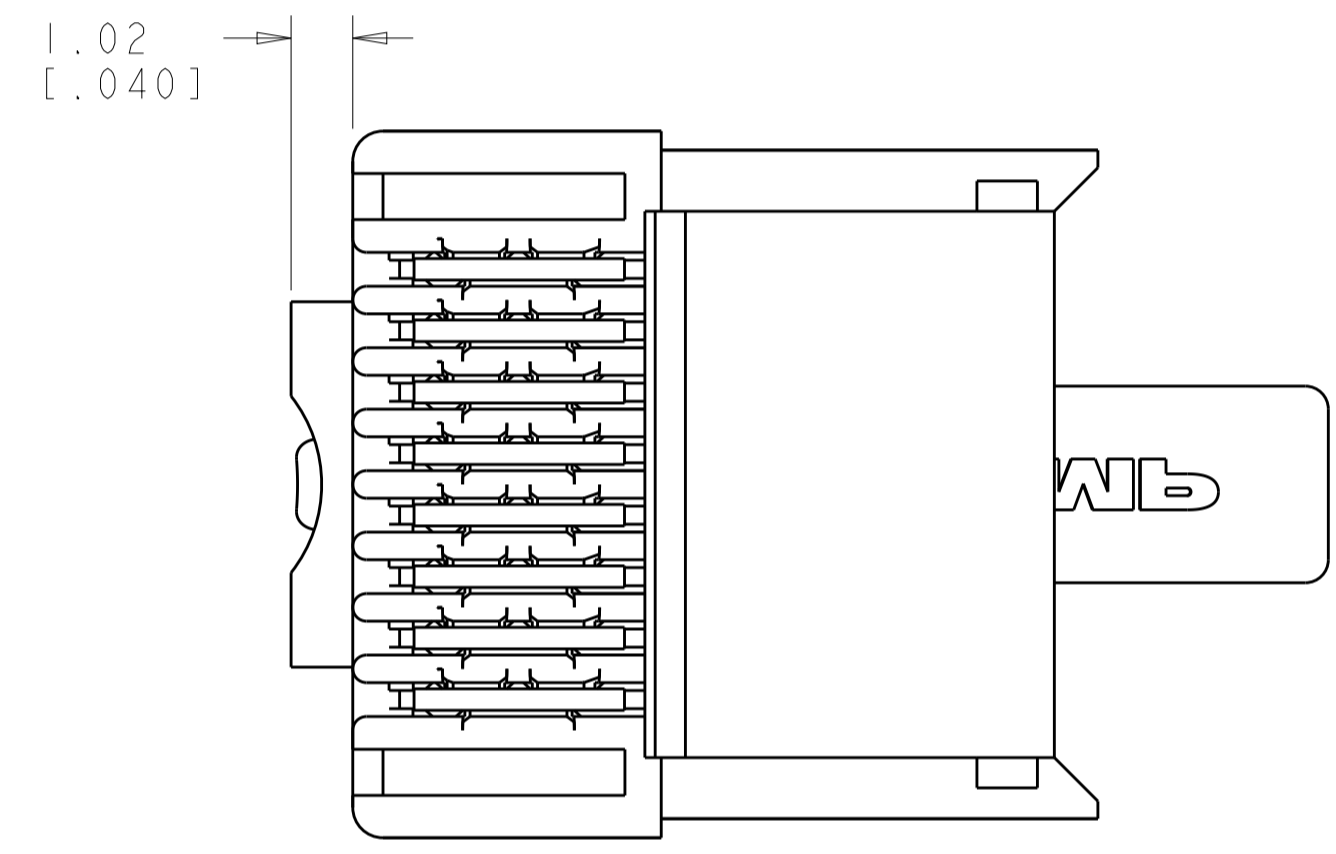


LOC		DIST		REVISIONS			
P	LTN	DESCRIPTION	DATE	DMN	APVD		
E	1	REVISED PER ECO-11-005027	14MAR2011	RK	HMR		
F	1	REVISED PER ECO-12-012703	03JULY2012	JB	JG		



SCALE 4:1

- 1. MATERIAL: HOUSING - 94V-0 RATED POLYCARBONATE CLEAR TERMINAL - 0.36 [0.014] THICK PHOSPHOR BRONZE PLATED WITH 1.27 μ m [0.00050] MINIMUM THICK GOLD IN LOCALIZED AREA OVER 2.54 μ m [0.00100] MINIMUM THICK NICKEL UNDERPLATE. WIRE HOLDER - POLYCARBONATE MAKROLON CLEAR. SHIELD - BRASS DIN 17660 - CuZn33
- 2. DIMENSIONS ARE NOMINAL UNLESS OTHERWISE SPECIFIED.
- 3. PLUG WILL ACCEPT A 23-24 AWG SOLID CONDUCTOR, PROVIDED THE INSULATION CONDUCTOR DIAMETER IS WITHIN .89 - 1.09 [0.035 - .043]; WITH THE SUM OF DIAMETERS FOR ALL EIGHT CONDUCTORS WITHIN THE CABLE MUST NOT EXCEED 7.8MM [0.31 IN]. CABLE JACKET DIAMETER OF 5.0 - 6.0MM [0.20-0.24 IN].
- 4. TERMINATED DIMENSION 6.15 [0.242] MAXIMUM.
- 5. PACKAGE 1,000 ASSEMBLIES, 1,000 WIRE HOLDERS, AND 1,000 SHIELDS.
- 6. PACKAGE 100 ASSEMBLIES, 100 WIRE HOLDERS, AND 100 SHIELDS.
- 8. PACKAGE 500 ASSEMBLIES, 500 WIRE HOLDERS, AND 500 SHIELDS.
- 9. MODULAR PLUG BOOT PART NUMBER 737893-X (X-DENOTES VARIOUS COLORS) MAY BE USED WITH KIT ASSEMBLY SHOWN.
- 10. UL RECOGNIZED: FILE NUMBER E81956.



6	5-1375204-3
8	5-1375204-2
5	5-1375204-1
PACKAGE	PART NO.

THIS DRAWING IS A CONTROLLED DOCUMENT.

DMN L. HALL 30JUL2001
 CHK M. DELPHIAS 06AUG2001
 APVD M. DELPHIAS 06AUG2001

DIMENSIONS: MM [INCHES]

TOLERANCES UNLESS OTHERWISE SPECIFIED:

0 PLC	±	2
1 PLC	±	2
2 PLC	±	2
3 PLC	±	2
4 PLC	±	2
ANGLES	±	2
FINISH	±	2

PRODUCT SPEC 108-1990
 APPLICATION SPEC 114-13035

WEIGHT -

CUSTOMER DRAWING

SIZE CAGE CODE DRAWING NO. RESTRICTED TO
 A100779C=1375204

SCALE 8:1 SHEET 1 OF 1 REV F

TE Connectivity
 KIT, 8 POSN, MOD PLUG, SOLID WIRE, CAT 6