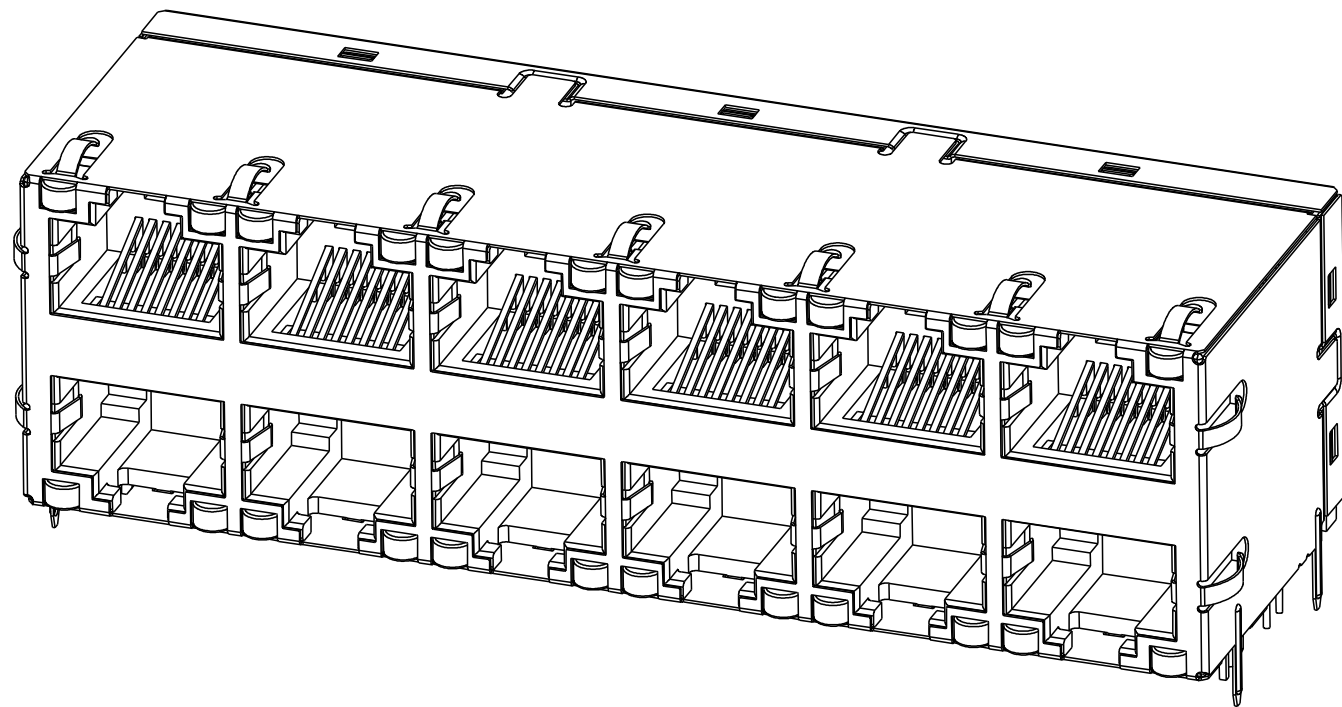
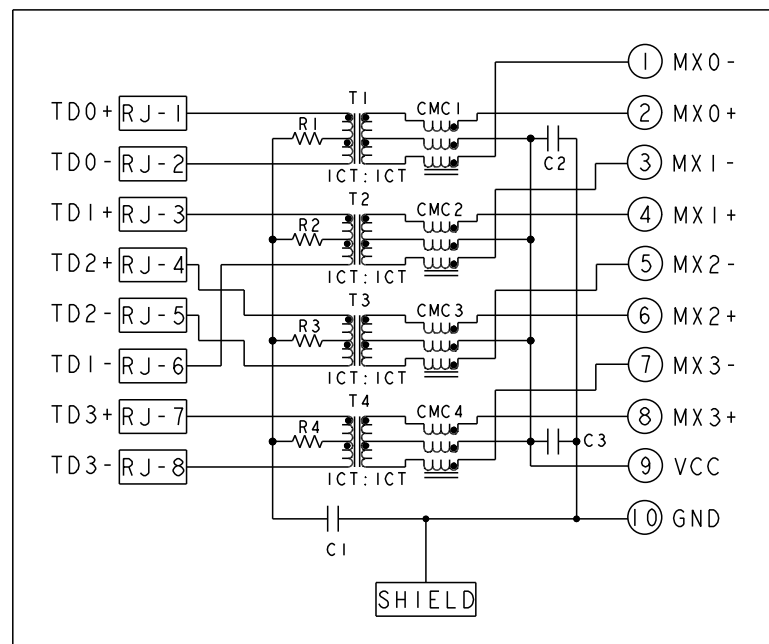


REVISONS		DATE	OWN	APPD
P	LYR	DESCRIPTION		
F		ECO-11-004182	21FEB2011	TR KZ
G		ECO-12-008758	03MAY2012	GZ KZ
H		ECO-12-010460	08JUN2012	TR KZ

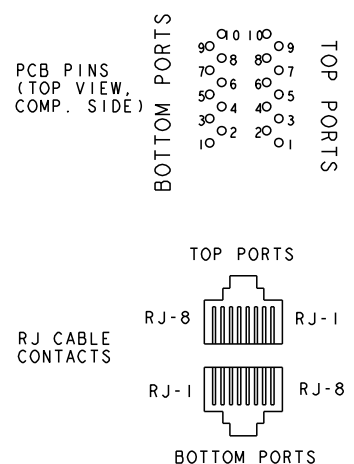


S8G56 GIGABIT CIRCUIT
 TOP AND BOTTOM PORTS



C1 = 1000pF, 2kV CAPACITOR
 C2 - C3 = 10nF, 50V CAPACITORS
 R1 - R4 = 75 Ohms, 1/16W, RESISTORS

PIN DESIGNATIONS
 (REPEAT FOR EACH VERTICAL PAIR OF PORTS.)



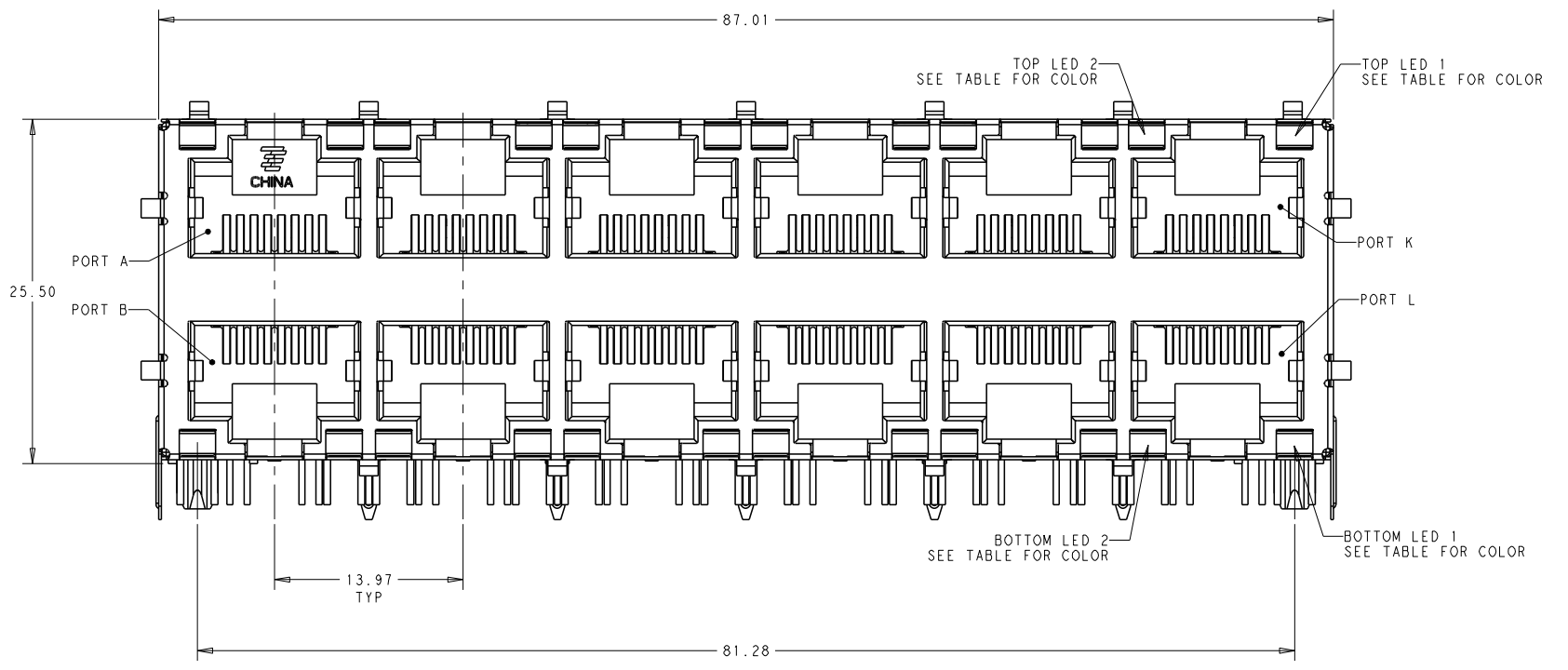
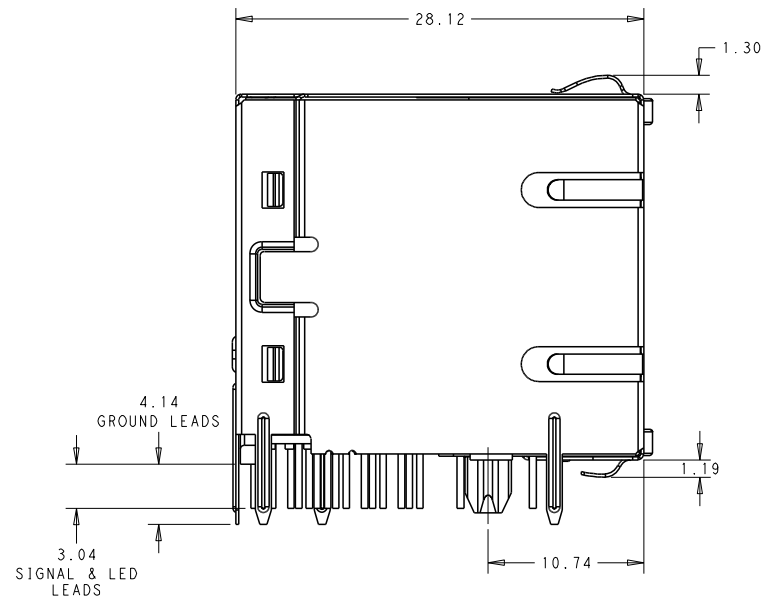
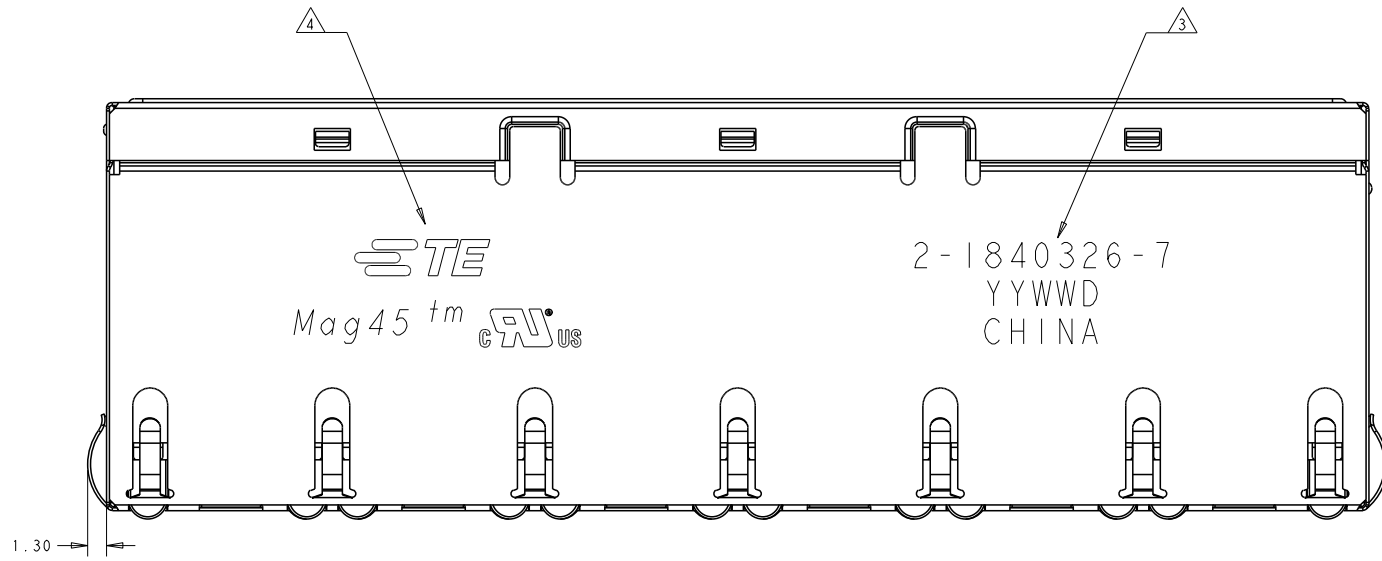
- MATERIALS:
 PLASTIC HOUSING: BLACK, THERMOPLASTIC FLAMMABILITY RATING UL 94V-0
 SHIELD: BRASS, PREPLATED WITH 0.76um MIN SEMI-BRIGHT NICKEL,
 POST DIPPED WITH 2.54um MIN SAC SOLDER ON SOLDER TAILS,
 CONTACTS: PHOSPHOR BRONZE, 1.27um MIN OVERALL NICKEL UNDERPLATE,
 WITH SELECT 0.05um MIN GOLD OVER 0.76um MIN PALLADIUM-NICKEL AT
 MATING INTERFACE AND 2.54um MIN MATTE TIN ON SOLDER TAILS.
 LED: DIFFUSED EPOXY LENS, CARBON STEEL LEAD FRAME TAILS OF LED
 ARE PREPLATED WITH 2.03um MIN SILVER OVER 1.02um MIN NICKEL
 UNDERPLATE OVER 1.02um MIN COPPER UNDERPLATE. POST-PLATED WITH
 2.54um MIN MATTE TIN AND/OR SAC SOLDER DIP OR PURE TIN SOLDER DIP
 ALL PC BOARDS: HIGH TEMPERATURE PCB, TG>170°C
- MAGNETICS
 APPLICATION: 10/100/1000 BASE-T
 IMPEDANCE: 100 OHMS
 TURNS RATIO (CHIP:CABLE): 1:1 ALL FOUR PAIRS
 OPEN CIRCUIT INDUCTANCE (OCL): 350uH MIN @100kHz, 0.1VRMS,
 8mADC BIAS FROM 0°C TO 70°C, ALL FOUR PAIRS
 ALL FOUR PAIRS BI-DIRECTIONAL
 PERFORMANCE @ 25°C:
 INSERTION LOSS (IL): 1.1dB MAX FROM 0.5MHz TO 100MHz
 RETURN LOSS (RL): 18dB MIN FROM 0.5MHz TO 40MHz
 12-20LOG(f/80)dB MIN FROM 40.1MHz TO 100MHz
 CROSSTALK ATTENUATION: 35dB MIN FROM 0.5MHz TO 40MHz
 33-20LOG(f/50)dB MIN FROM 40.1MHz TO 100MHz
 COMMON MODE REJECTION RATIO (CMRR): 30dB MIN FROM 0.5MHz TO 100MHz
 ISOLATION VOLTAGE: 2250VDC(MAX) FOR 60 SECONDS WITH A RISE TIME OF
 500V/SEC AND WITH ALL PORTS CONNECTED.
- PART NUMBER, DATE CODE AND COUNTRY OF ORIGIN ARE
 LOCATED IN APPROXIMATE AREA SHOWN. DATE CODE: YYWW WHERE "YY" IS YEAR,
 "WW" IS WEEK, "D" IS DAY OF WEEK, WITH SUNDAY=1.
- TE CONNECTIVITY LOGO AND AGENCY APPROVAL LOGO ARE
 LOCATED IN APPROXIMATE AREA SHOWN.
- OPERATING TEMP: FROM 0°C TO +70°C.
- RJ45 CAVITY CONFORMS TO FCC RULES AND REGULATION PART 68 SUBPART F.
- INDICATED MAGNETIC CONNECTIONS ARE SYMMETRICAL AND
 SUPPORT AUTO-MDI/MDIX.
- DATUM AND BASIC DIMENSION ESTABLISHED BY CUSTOMER.
- BASIC DIMENSION ESTABLISHED BY CUSTOMER, BUT MAY NOT BE
 GREATER THAN 5.08mm.
- LEDS ARE DRIVEN WITH CONSTANT CURRENT AT APPROX 20mA
 LED COLOR: DOMINANT WAVELENGTH (λD): GREEN 568 nm TYP. @ IF=20mA
 FORWARD VOLTAGE (VF): GREEN 2.2V TYP. @ IF=20mA
 DOMINANT WAVELENGTH (λD): ORANGE 605 nm TYP. @ IF=20mA
 FORWARD VOLTAGE (VF): ORANGE 2.1V TYP. @ IF=20mA
 DOMINANT WAVELENGTH (λD): YELLOW 588 nm TYP. @ IF=20mA
 FORWARD VOLTAGE (VF): YELLOW 2.1V TYP. @ IF=20mA
- THE PARTS ARE RECOMMENDED FOR WAVE SOLDERING PROCESS,
 PEAK TEMPERATURE 260°C MAX, 10 SECONDS MAX.

SEE SHEET 3	3.04	GRN/YEL	GRN/YEL	GRN/YEL	GRN/YEL	1840326-4
SEE SHEET 2	3.04	GRN/ORA	GRN/ORA	GRN/ORA	GRN/ORA	2-1840326-7
SEE SHEET 3	3.56	GRN/ORA	GRN/ORA	GRN/ORA	GRN/ORA	1-1840326-7
SEE SHEET 3	3.56	GRN/YEL	GRN/YEL	GRN/YEL	GRN/YEL	1-1840326-4
SEE SHEET 3	3.04	GREEN	GREEN	GREEN	GREEN	1840326-1
OUTLINE DIMENSION	DIM A	BOTTOM LED 2	BOTTOM LED 1	TOP LED 2	TOP LED 1	PART NUMBER

THIS DRAWING IS A CONTROLLED DOCUMENT.		DATE	30JAN2010
DRAWN BY		TONMY REN	30JAN2010
CHECKED BY		TONY TUAN	30JAN2010
APPROVED BY		KEITH ZHU	30JAN2010
DIMENSIONS:		TOLERANCES UNLESS OTHERWISE SPECIFIED:	
mm	0 PLC	±	
	1 PLC	±	
	2 PLC	±0.25	
	3 PLC	±	
	4 PLC	±	
	ANGLES	±	
	FINISH		
MATERIAL		WEIGHT	
		SCALE	1:1
		SHEET	1 OF 5
		REV	H

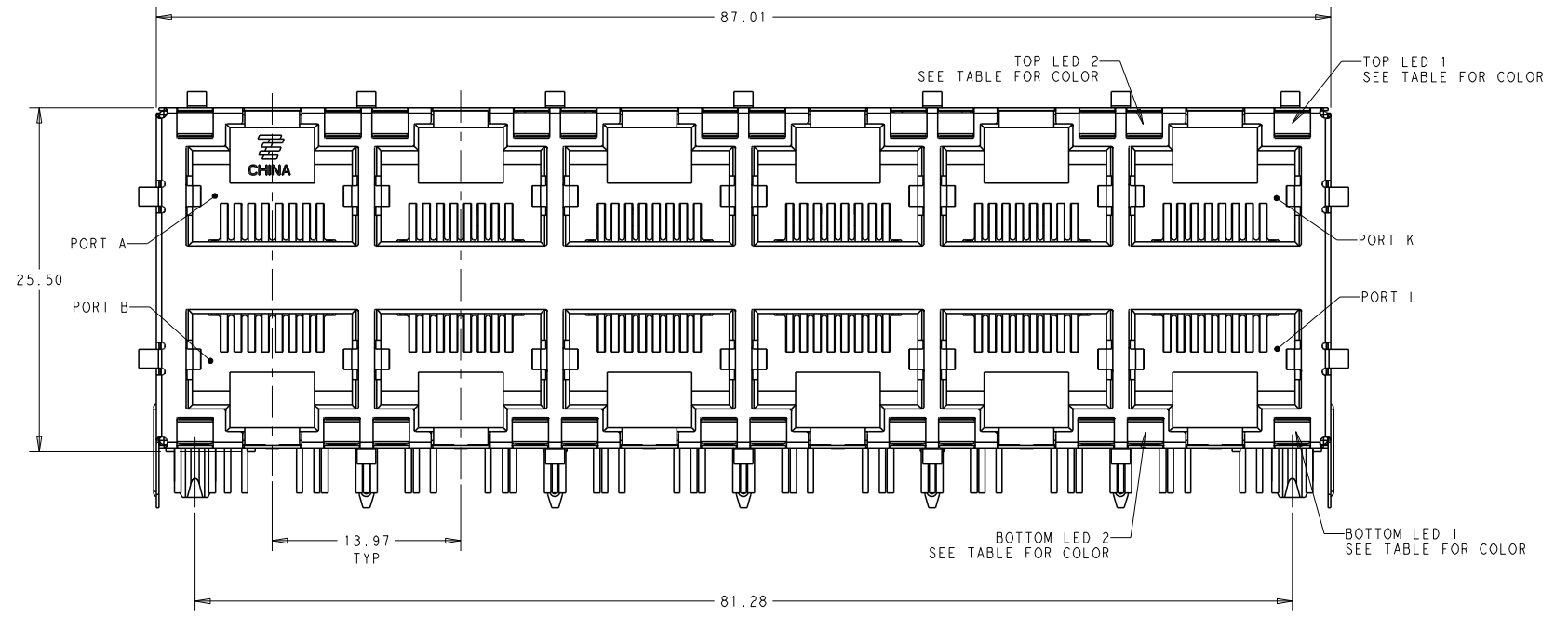
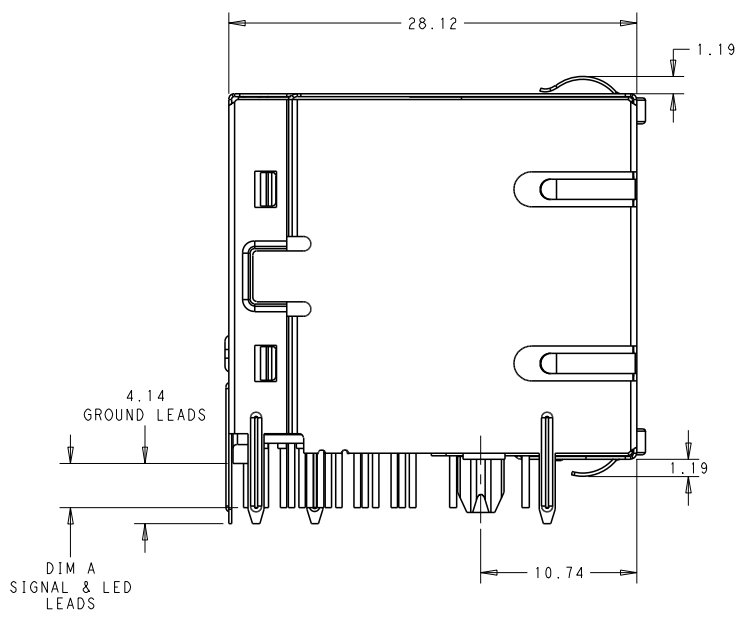
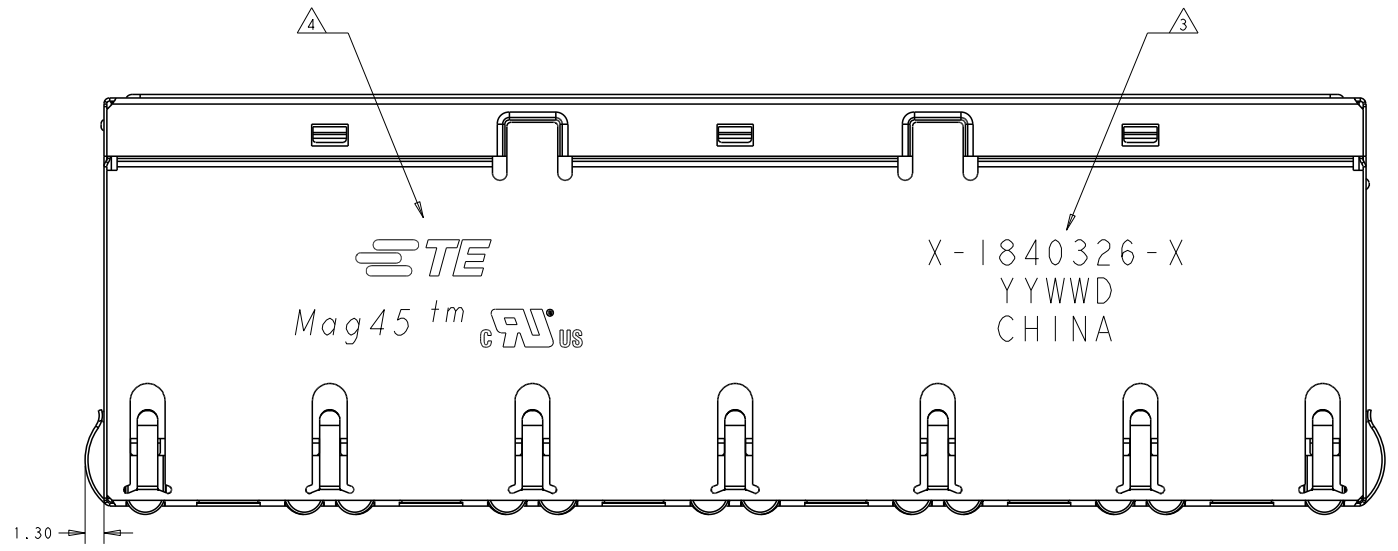
LOC	DIST	REVISIONS			
P	LTN	DESCRIPTION	DATE	DWN	APPD
-	-	SEE SHEET 1	-	-	-

THIS SHEET FOR 2-1840326-7 ONLY



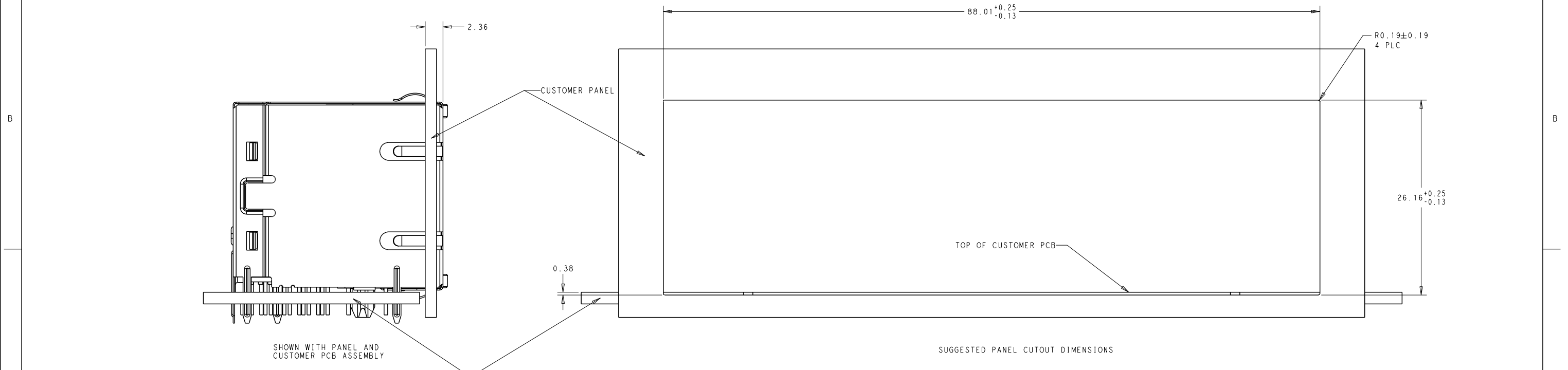
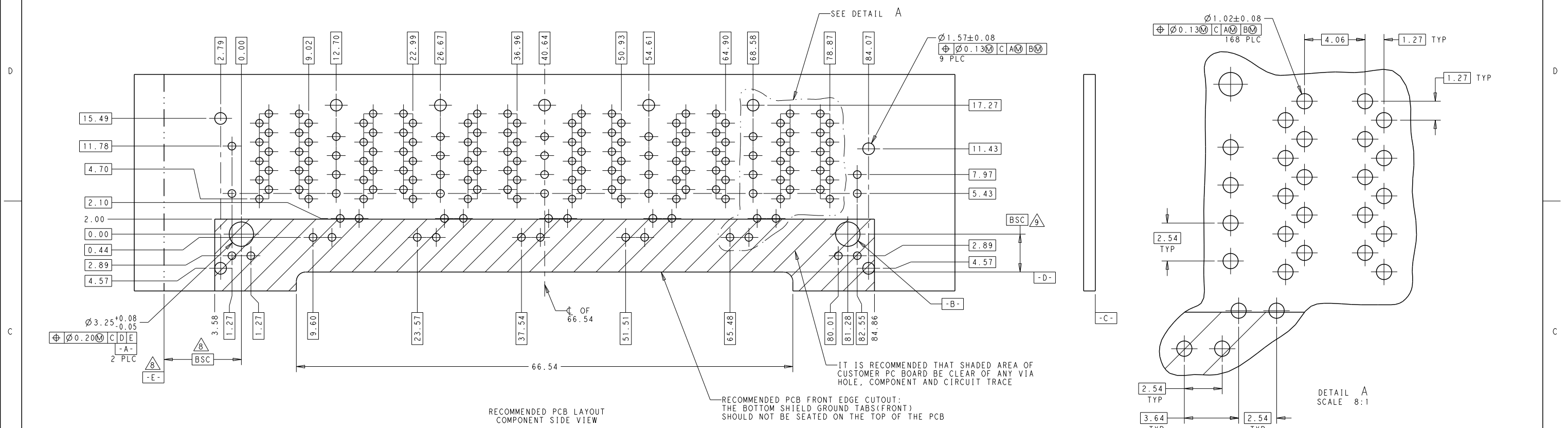
THIS DRAWING IS A CONTROLLED DOCUMENT.		DWN: 30JAN2010	TE Connectivity
		CHK: 30JAN2010	
DIMENSIONS: mm		APPR: 30JAN2010	NAME:
TOLERANCES UNLESS OTHERWISE SPECIFIED:		PRODUCT SPEC	2X6 MAG45(TM), GIGABIT S8G56 CIRCUIT
0 PLC	±	APPLICATION SPEC	WAVE PANEL, GROUND SHIELD, W/ LEDS
1 PLC	±	WEIGHT	SIZE CASE CODE DRAWING NO
2 PLC	±0.25	CUSTOMER DRAWING	A 00779 ©=1840326
3 PLC	±	SCALE	4:1
4 PLC	±	SHEET	2 OF 5
ANGLES	±	REV	H
FINISH	±		

LOC	QTY	REVISIONS			
P	LTN	DESCRIPTION	DATE	DWN	APVD
-	-	SEE SHEET 1	-	-	-



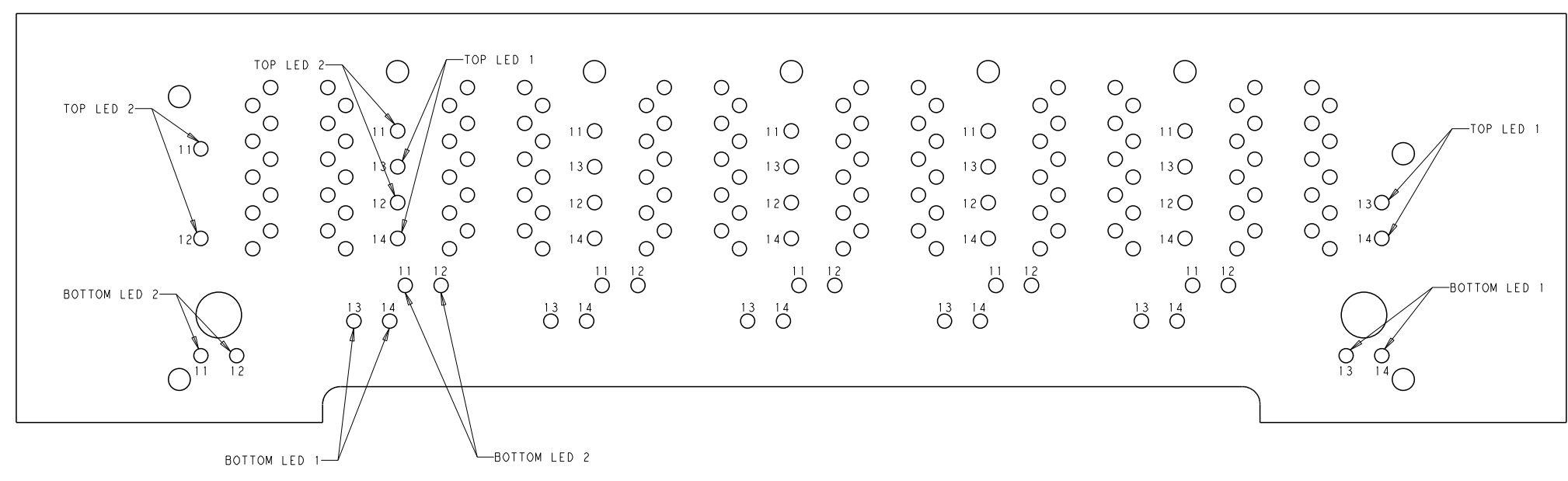
THIS DRAWING IS A CONTROLLED DOCUMENT.		DWN: 30JAN2010	 TE Connectivity
		CHK: 30JAN2010	
DIMENSIONS:		APVD: 30JAN2010	NAME:
mm	TOLERANCES UNLESS OTHERWISE SPECIFIED:	NAME: KEITH ZHU	PRODUCT SPEC:
0 PLC	±	APPLICATION SPEC:	2X6 MAG45(TM), GIGABIT S8G56 CIRCUIT
1 PLC	±	WEIGHT:	WAVE PANEL, GROUND SHIELD, W/ LEADS
2 PLC	±0.25	SCALE:	1:1
3 PLC	±	SHEET:	3 OF 5
4 PLC	±	REV:	H
ANGLES	±	RESTRICTED TO	
FINISH:		A1 00779 ©=1840326	
MATERIAL:		CUSTOMER DRAWING	

REVISONS				
P	LYR	DESCRIPTION	DATE	APPD
-	-	SEE SHEET 1	-	-

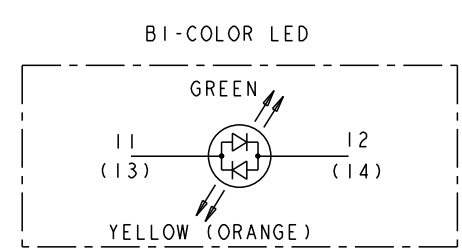
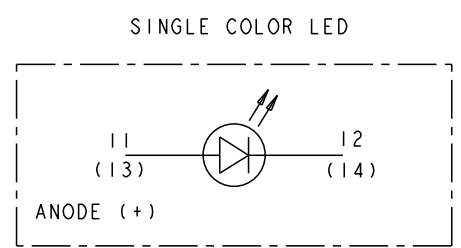


THIS DRAWING IS A CONTROLLED DOCUMENT.		OWN: TOMMY REN 30JAN2010	
DIMENSIONS: mm		CHE: TONY YUAN 30JAN2010	
TOLERANCES UNLESS OTHERWISE SPECIFIED:		APPR: KEITH ZHU 30JAN2010	NAME
0 PLC	±	PRODUCT SPEC	2X6 MAG45(TM), GIGABIT S8G56 CIRCUIT
1 PLC	±	APPLICATION SPEC	WAVE PANEL, GROUND SHIELD, W/ LEDS
2 PLC	±0.25	SIZE	A1
3 PLC	±	CAGE CODE	00779
4 PLC	±	DRAWING NO	1840326
ANGLES	±	RESTRICTED TO	-
FINISH	-	SCALE	1:1
MATERIAL	-	SHEET	4 OF 5
WEIGHT	-	REV	H
CUSTOMER DRAWING	-		

LOC	DIST	REVISIONS			
P	LYR	DESCRIPTION	DATE	DWN	APPD
AA	00	SEE SHEET 1	-	-	-



LED HOLE DESIGNATIONS
 VIEWED FROM COMPONENT SIDE



THIS DRAWING IS A CONTROLLED DOCUMENT.		DWN: TOMMY REN 30JAN2010	TE Connectivity	
		CHK: TONY YUAN 30JAN2010		
DIMENSIONS:		APPRO: KEITH ZHU 30JAN2010	NAME:	2X6 MAG45(TM), GIGABIT S8G56 CIRCUIT
mm	TOLERANCES UNLESS OTHERWISE SPECIFIED:	PRODUCT SPEC	APPLICATION SPEC	WAVE PANEL, GROUND SHIELD, W/ LEDS
0 PLC ±	1 PLC ±	APPLIC	RESTRICTED TO	
2 PLC ±0.25	3 PLC ±	WEIGHT	SCALE	1:1
4 PLC ±	ANGLES ±	CUSTOMER DRAWING	REV	H
MATERIAL	FINISH	SIZE	CAGE CODE	DRAWING NO
		A1	00779	1840326
		SCALE	1:1	SHEET 5 OF 5