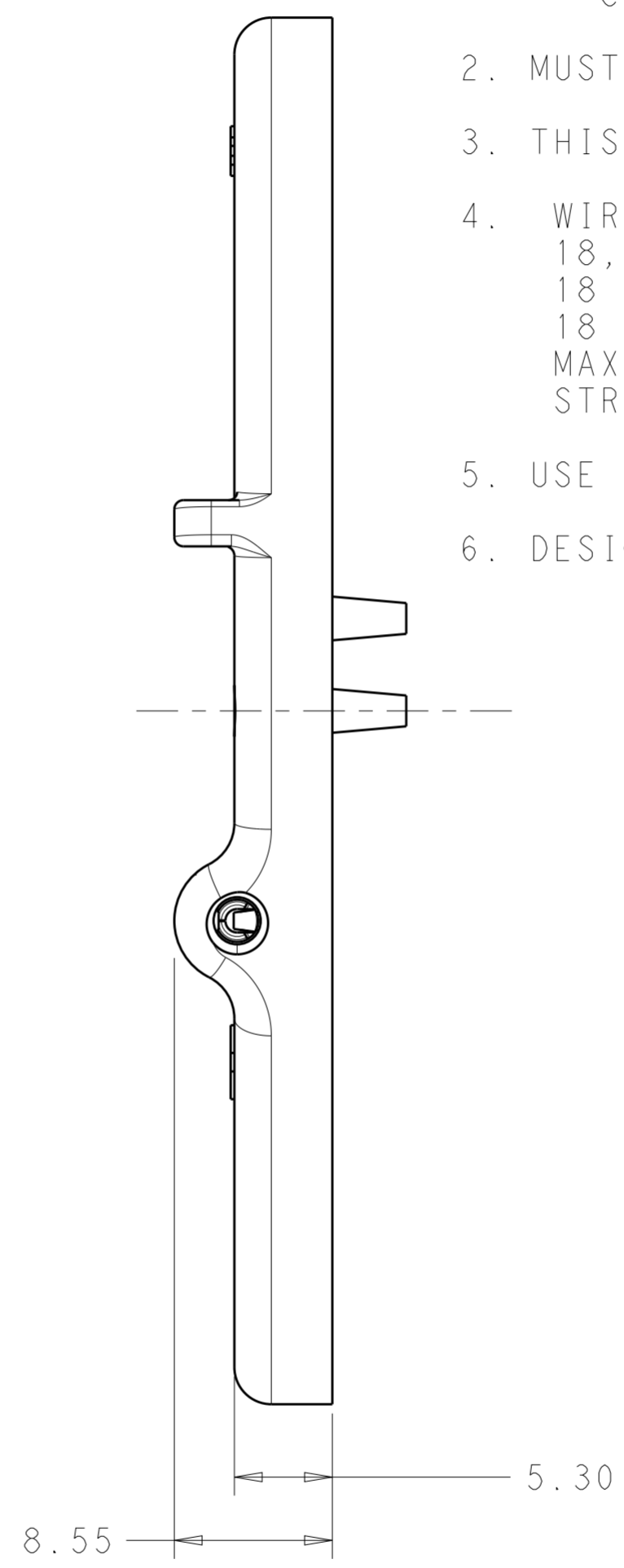
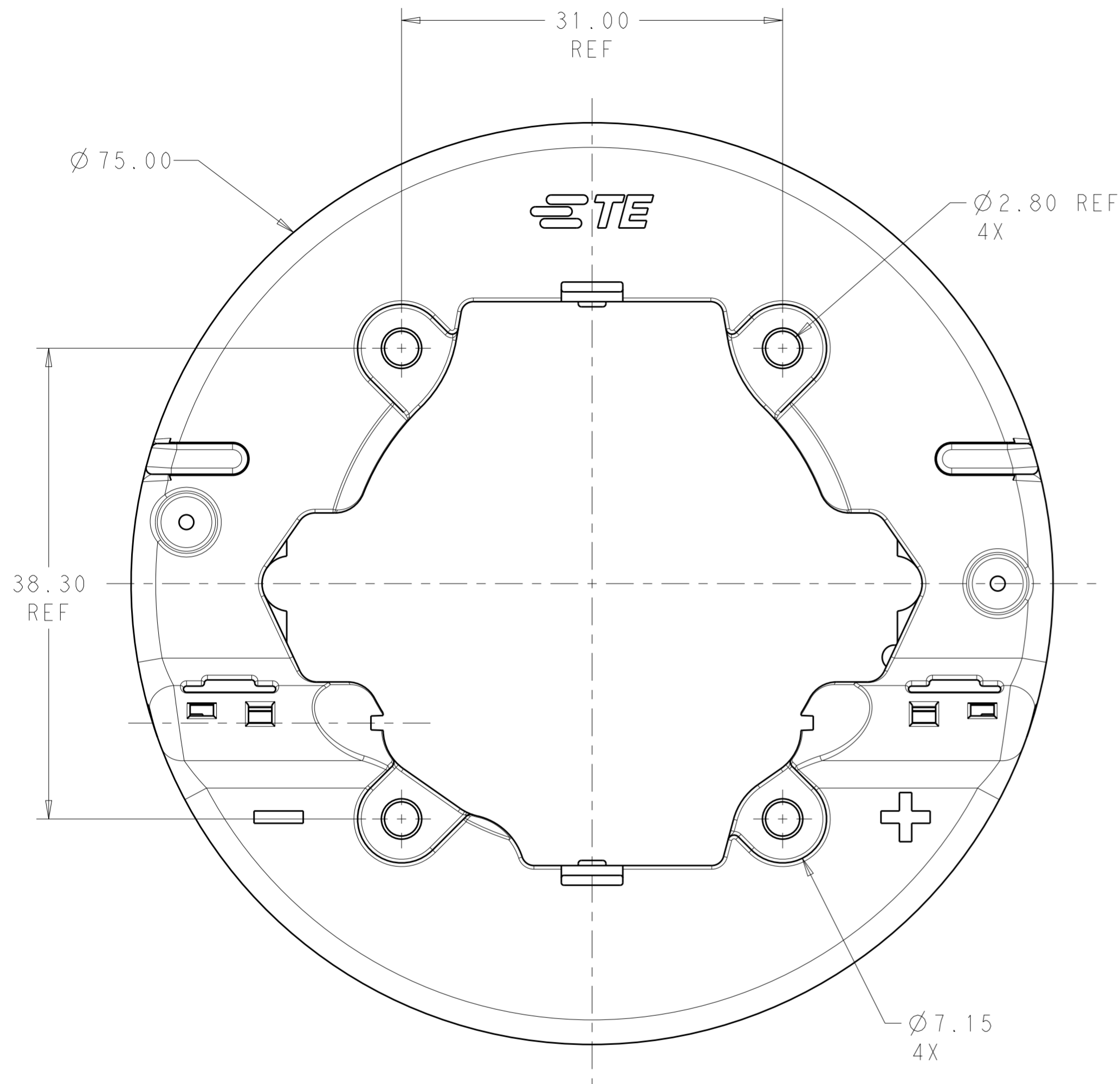


THIS DRAWING IS UNPUBLISHED. RELEASED FOR PUBLICATION 20
 © COPYRIGHT 20 BY TE CONNECTIVITY ALL RIGHTS RESERVED.

LOC		DIST		REVISIONS			
P	LTR	DESCRIPTION	DATE	DWN	APVD		
	2	REVISED TITLE, ADDED PROD/APP SPEC NOs	03AUG2011	RB	MM		
	3	UPDATED PART GEOMETRY	05JUL2012	MM	MM		



- ⚠ MATERIALS AND FINISH:
 -HOUSING: GF PBT, COLOR: NATURAL
 -CONTACTS: COPPER ALLOY, FINISH: Sn OVER Ni
- MUST COMPLY WITH DIRECTIVE 2002/95/EC (ROHS)
 - THIS PRODUCT HAS NOT COMPLETED VALIDATION TESTING
 - WIRE TYPES AND SIZES ACCEPTED
 18, 20 AND 22 AWG SOLID WIRE
 18 AND 20 AWG PREBOND STRANDED WIRE
 18 AWG STRANDED WIRE (16 STRAND COUNT)
 MAX INSULATION OD: 2.10 MM (.083")
 STRIP LENGTH: 7.0 ± 1.0 (.276")
 - USE (4) M3 SIZE SCREWS, TORQUE TO 2.5-4.0 IN-LBF
 - DESIGNED TO BE USED WITH BRIDGELUX RS SERIES LED

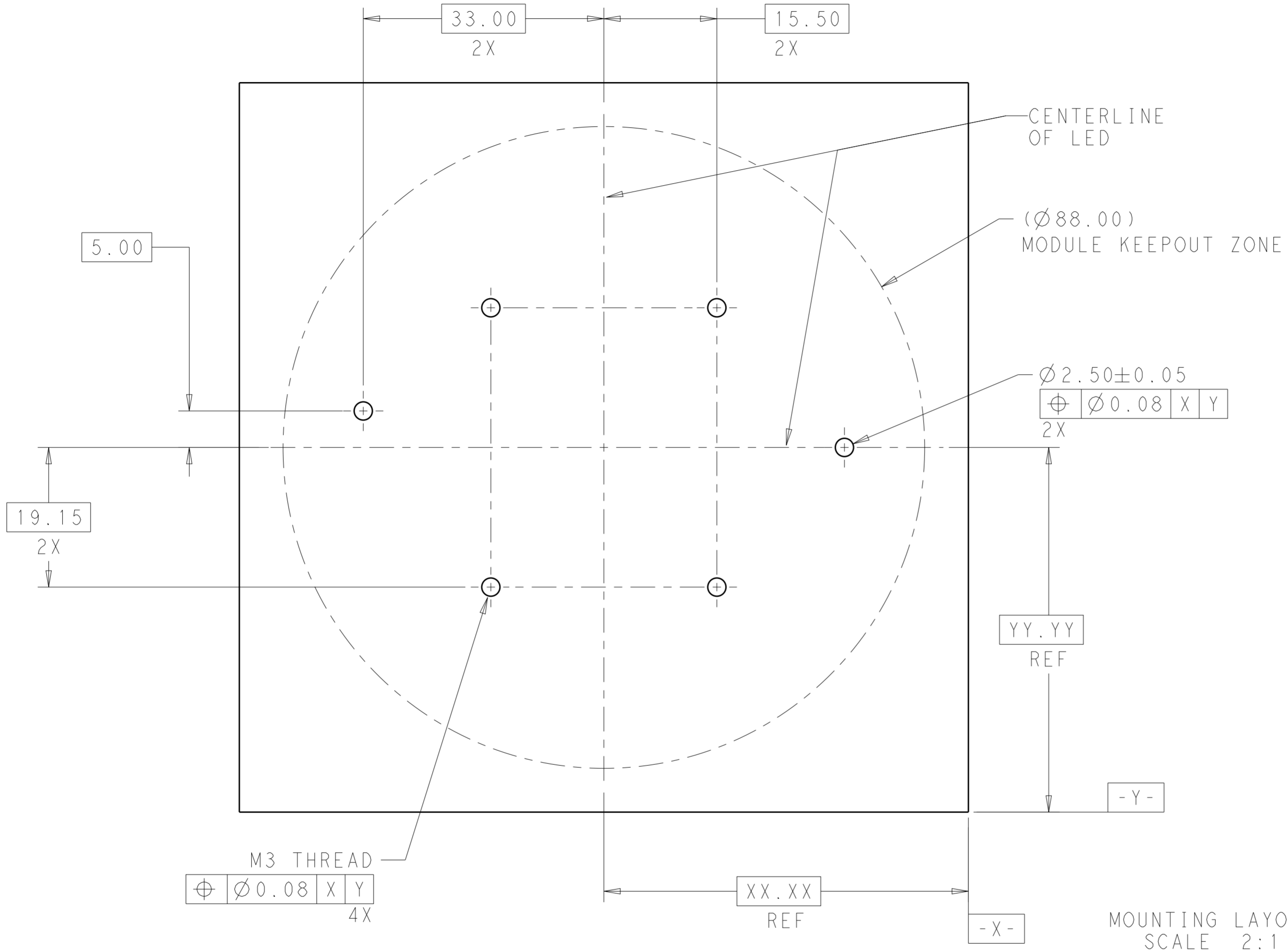
THIS PRINT IS
PRELIMINARY
 UNQUALIFIED PRODUCT
 CONTACT PRODUCT ENGINEERING
 BEFORE USING THIS PRINT

2154455-1
 PART NO.

THIS DRAWING IS A CONTROLLED DOCUMENT.		DWN C. DAILY 24 JAN 2011	STE TE Connectivity	
DIMENSIONS: mm		CHK CHANEY 24 JAN 2011	PRELIMINARY	
TOLERANCES UNLESS OTHERWISE SPECIFIED: 0 PLC ± 1 PLC ± 2 PLC ±0.20 3 PLC ± 4 PLC ± ANGLES ±3° FINISH		APVD -	NAME SOCKET ASSEMBLY, SOLDERLESS BR LED	RESTRICTED TO -
MATERIAL ⚠		PRODUCT SPEC 108-2466	SIZE A200779	DRAWING NO C-2154455
CUSTOMER DRAWING		APPLICATION SPEC 114-13302	SCALE 3:1	SHEET 1 OF 2 REV 3

THIS DRAWING IS UNPUBLISHED. RELEASED FOR PUBLICATION 20
 © COPYRIGHT 20 BY TE CONNECTIVITY ALL RIGHTS RESERVED.

LOC	DIST	REVISIONS			
P	LTR	DESCRIPTION	DATE	DWN	APVD
-	-	SEE SHEET 1	-	-	-



MOUNTING LAYOUT
SCALE 2:1

THIS PRINT IS
PRELIMINARY
 UNQUALIFIED PRODUCT
 CONTACT PRODUCT ENGINEERING
 BEFORE USING THIS PRINT

THIS DRAWING IS A CONTROLLED DOCUMENT.		DWN C. DAILY 24 JAN 2011	TE Connectivity	
DIMENSIONS: mm		CHK CHANEY 24 JAN 2011		
TOLERANCES UNLESS OTHERWISE SPECIFIED:		APVD -	NAME SOCKET ASSEMBLY, SOLDERLESS BR LED	
0 PLC ±		PRODUCT SPEC 108-2466	SIZE A200779	
1 PLC ±		APPLICATION SPEC 114-13302	CAGE CODE C-2154455	
2 PLC ±0.20		WEIGHT -	DRAWING NO -	
3 PLC ±		CUSTOMER DRAWING	RESTRICTED TO -	
4 PLC ±		SCALE 3:1	SHEET 2 OF 2	
ANGLES ±3°		REV 3		
FINISH				