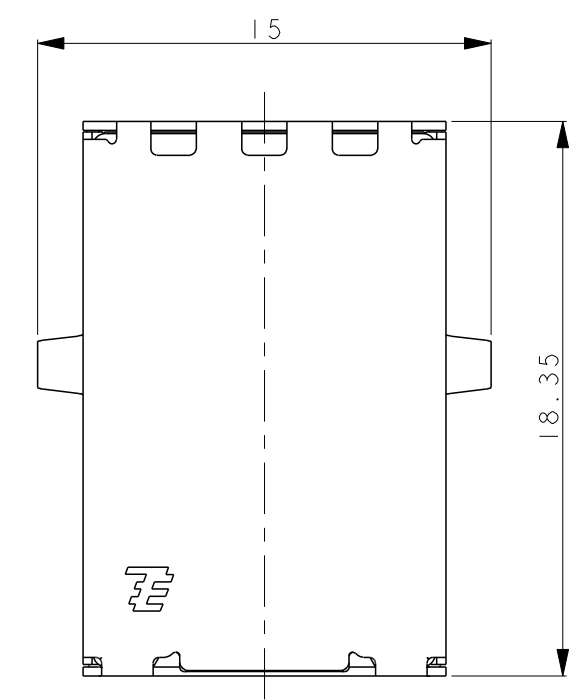
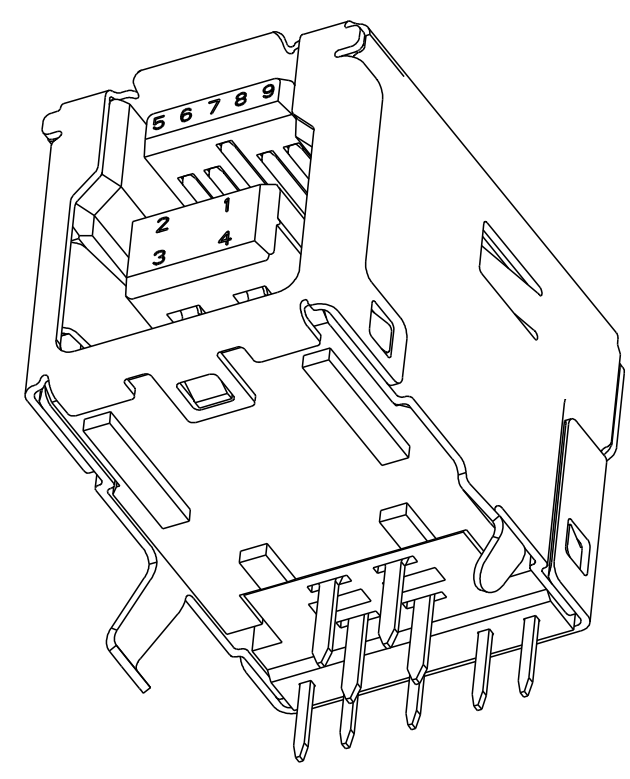


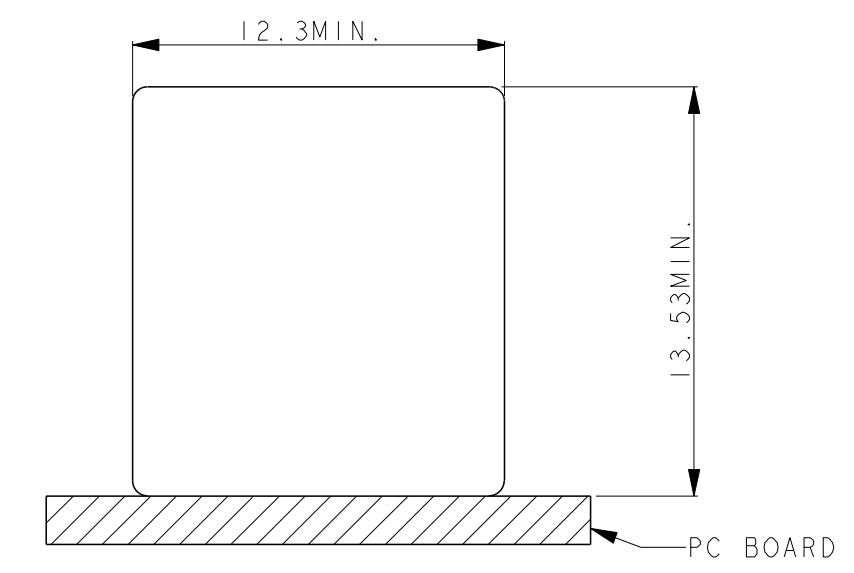
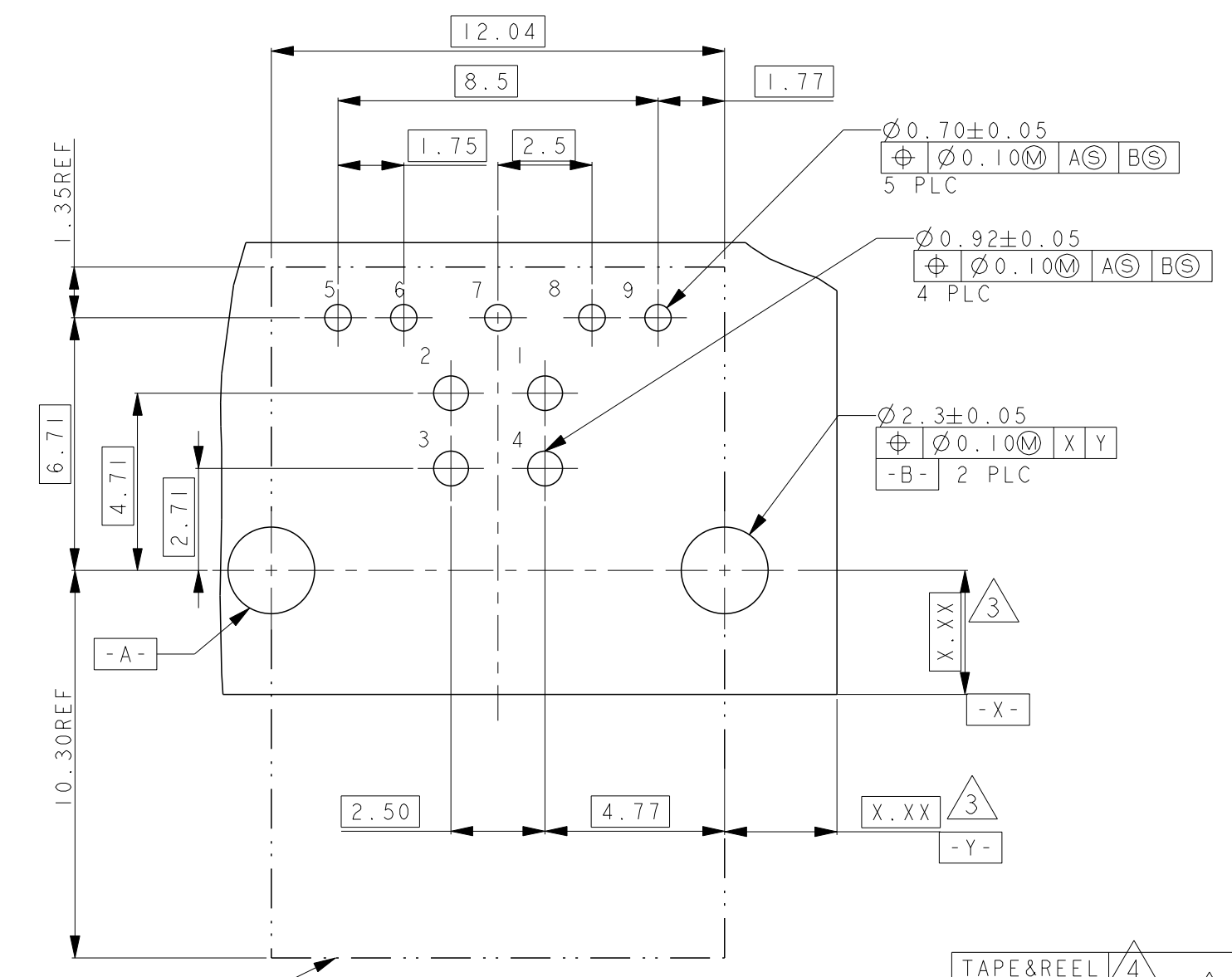
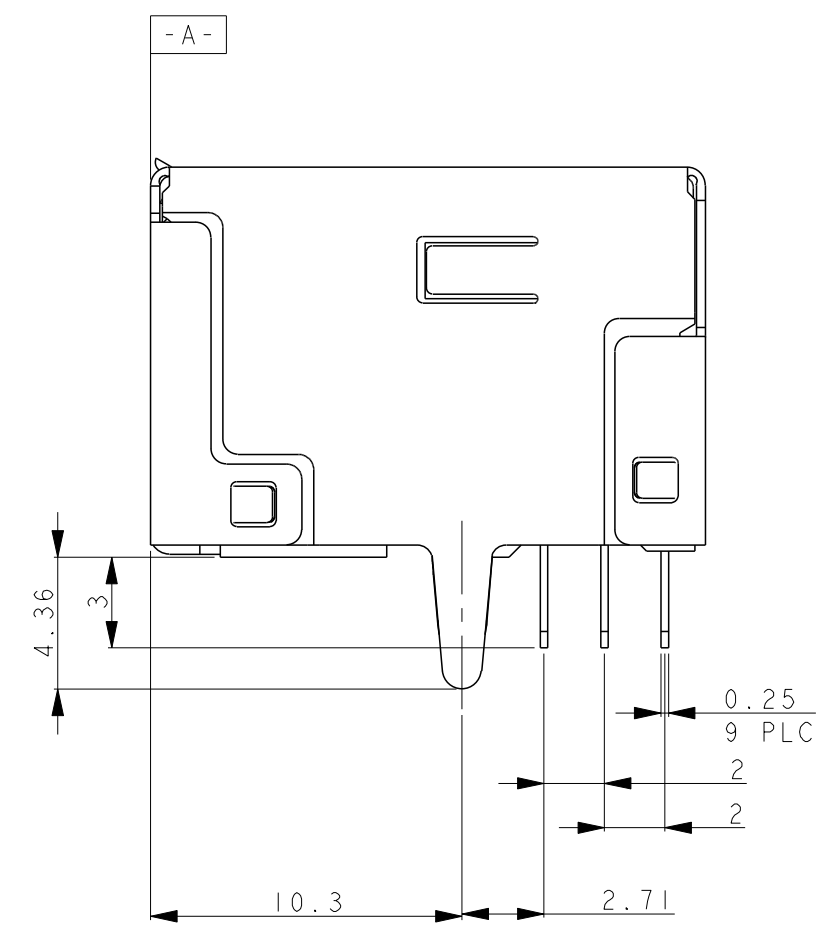
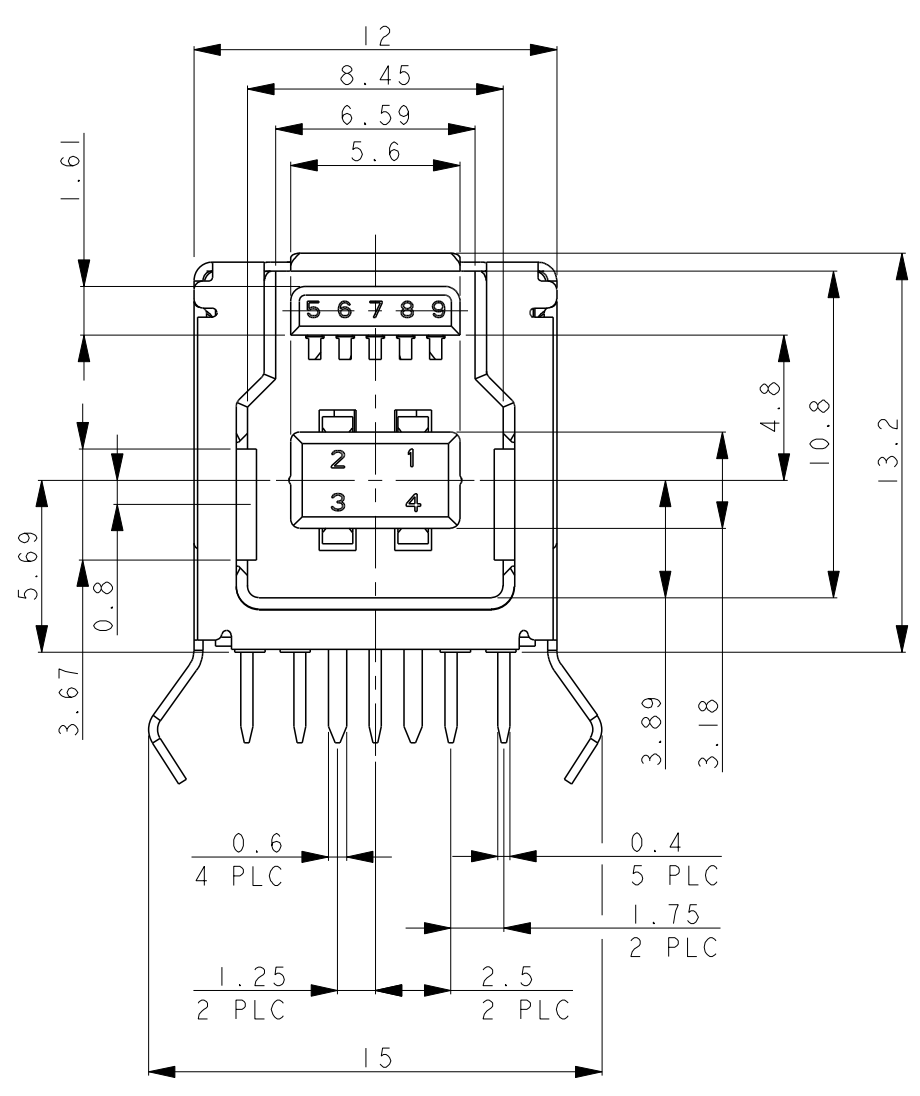
LOC	DIST	REVISIONS			
P	LTR	DESCRIPTION	DATE	DWN	APVD
ES	00	A	RELEASED PER ECR-12-003396	21FEB2012	FL SY



PIN NO.	SIGNAL NAME	REMARK
1	VBUS	USB 2.0 CONTACT PINS
2	D-	
3	D+	
4	GND	
5	StdB_SSTX-	USB 3.0 CONTACT PINS
6	StdB_SSTX+	
7	GND_DRAIN	
8	StdB_SSRX-	
9	StdB_SSRX+	



- 1 MATERIAL:
SHELL & CONTACTS: COPPER ALLOY.
HOUSING & TINE PLATE: THERMOPLASTIC.
- 2 PLATING:
CONTACT PLATING: 0.76um MIN. GOLD ON MATING AREA.
2.54um MIN. MATTE TIN ON SOLDER TAILS.
1.27um MIN. NICKEL UNDER PLATING.
SHELL PLATING: 2.54um MIN. TIN PLATING OVER 1.27um MIN. NICKEL.
- 3 PLATING:
CONTACT PLATING: 0.38um MIN. GOLD ON MATING AREA.
2.54um MIN. MATTE TIN ON SOLDER TAILS.
1.27um MIN. NICKEL UNDER PLATING.
SHELL PLATING: 2.54um MIN. TIN PLATING OVER 1.27um MIN. NICKEL.
- 4 PLATING:
CONTACT PLATING: GOLDEN FLASH ON MATING AREA.
2.54um MIN. MATTE TIN ON SOLDER TAILS.
1.27um MIN. NICKEL UNDER PLATING.
SHELL PLATING: 2.54um MIN. TIN PLATING OVER 1.27um MIN. NICKEL.
- 5 DATUM AND BASIC DIMENSIONS ESTABLISHED BY CUSTOMER.
- 6 RECOMMENDED PC BOARD THICKNESS OF 1.60.



CONNECTOR EDGE LINE FOR REFERENCE
 6 RECOMMENDED PCB LAYOUT (CONNECTOR MOUNTING SIDE VIEW) TOP VIEW

TAPE&REEL	4	1	1	1-1932259-3
TAPE&REEL	3	1	1	1-1932259-2
TAPE&REEL	2	1	1	1-1932259-1
TRAY	4	1	1	1932259-3
TRAY	3	1	1	1932259-2
TRAY	2	1	1	1932259-1
PACKAGE	FINISH	MATERIAL	PART NUMBER	

THIS DRAWING IS A CONTROLLED DOCUMENT.		DWN	21FEB2012	TE Connectivity	NAME USB3.0 STANDARD B TYPE RECEPTACLE						
DIMENSIONS: mm		CHK	21FEB2012								
TOLERANCES UNLESS OTHERWISE SPECIFIED:		APVD	21FEB2012								
0 PLC ±0.25 1 PLC ±0.25 2 PLC ±0.25 3 PLC ± 4 PLC ± ANGLES ±° FINISH		PRODUCT SPEC 108-115001 APPLICATION SPEC	SIZE A200779			DRAWING NO C=1932259	RESTRICTED TO -				
MATERIAL	1 -	2 -	CUSTOMER DRAWING	SCALE	4:1	SHEET	1	OF	1	REV	A