

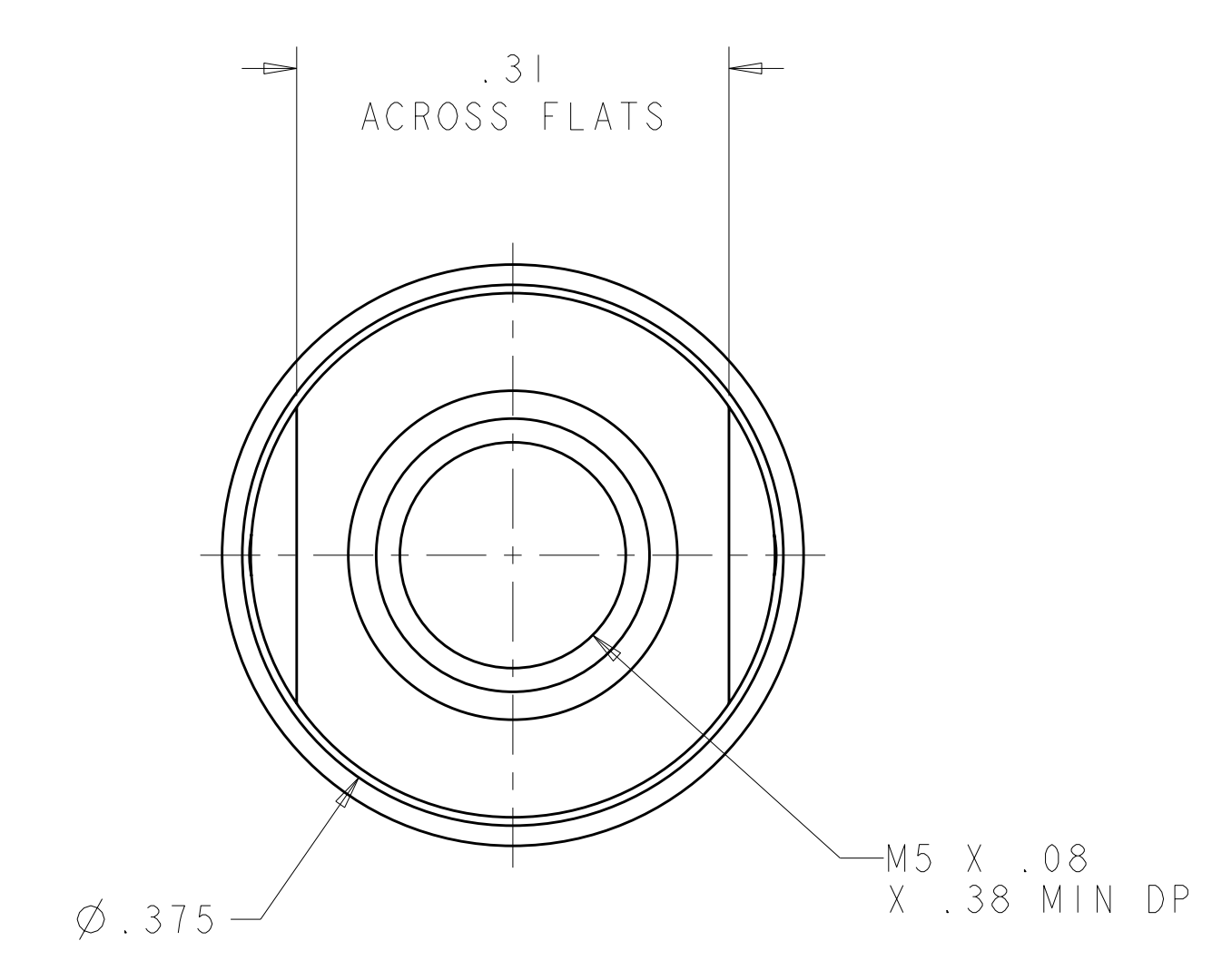
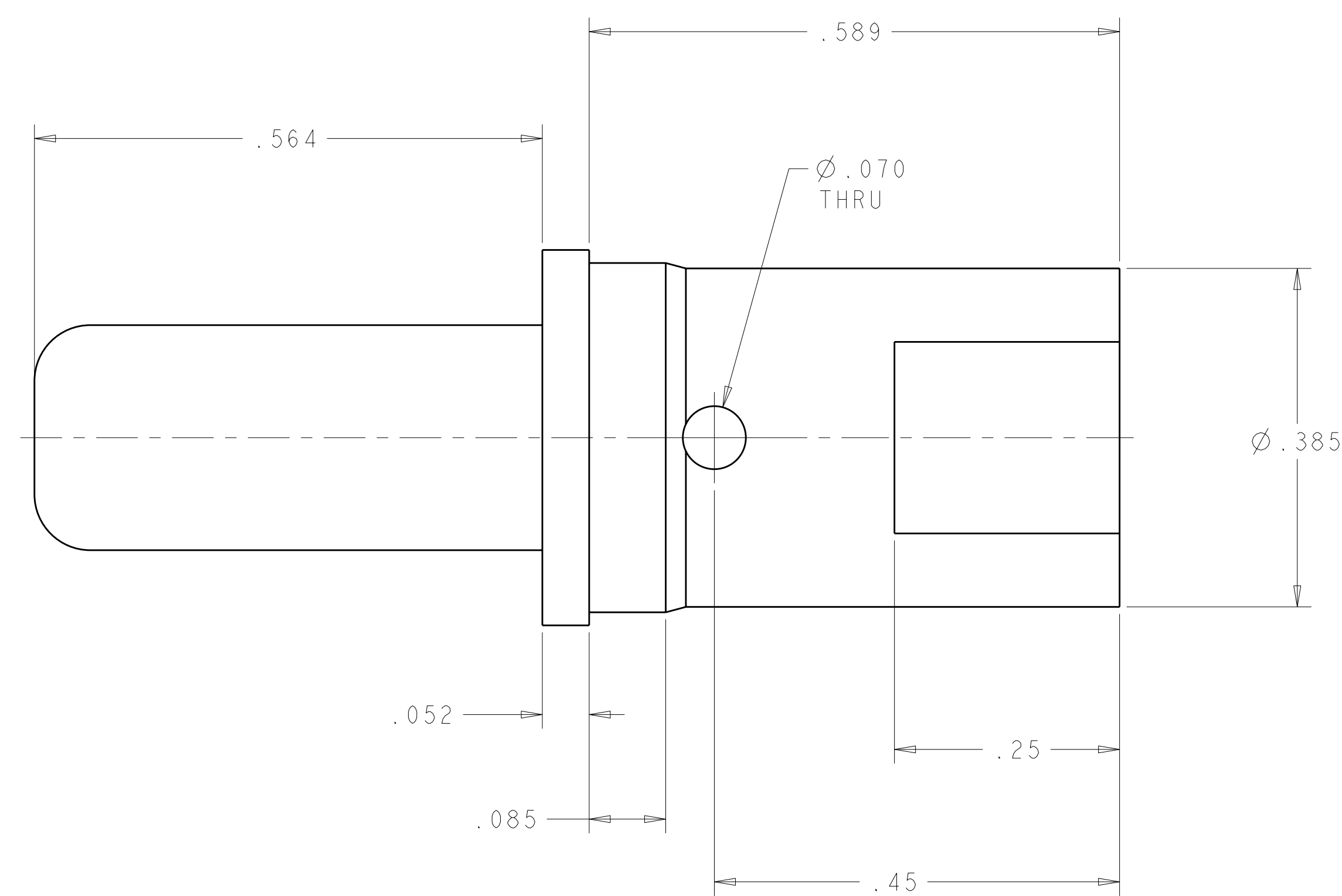
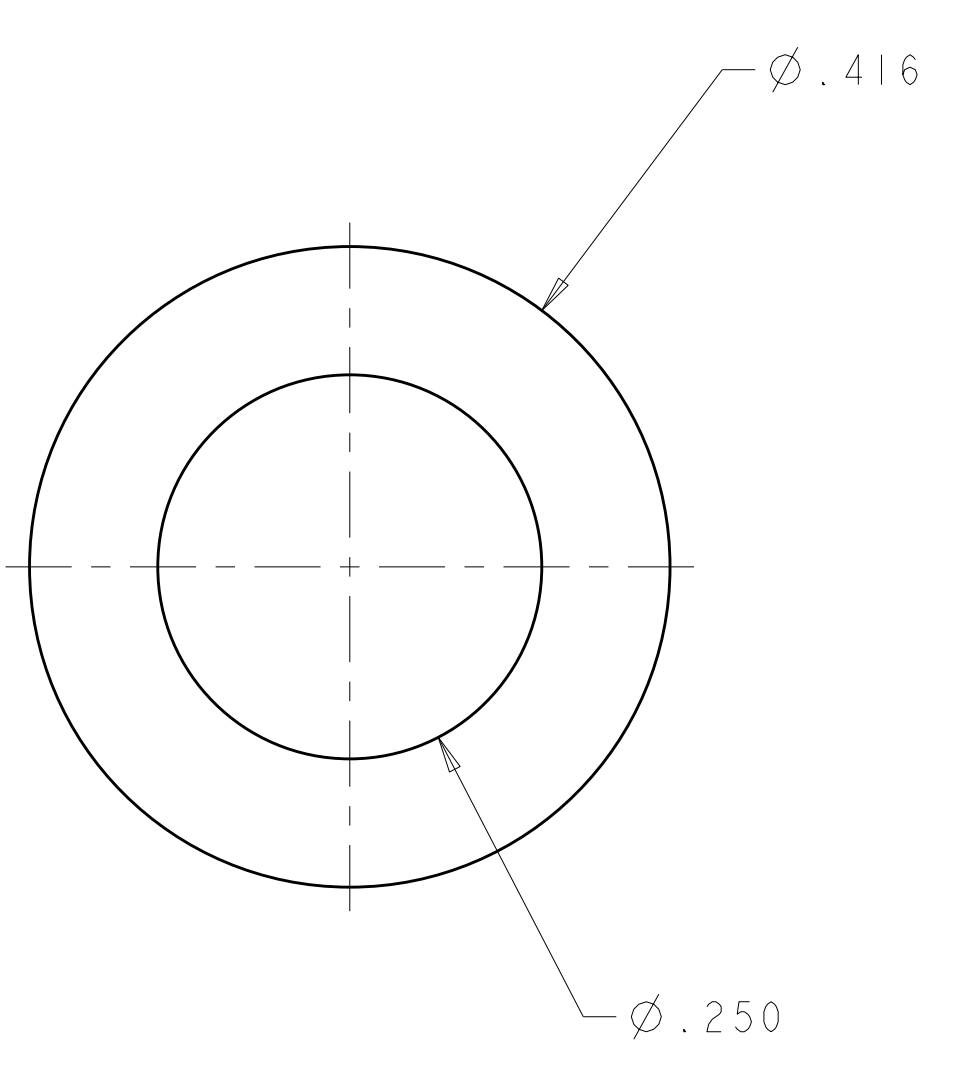
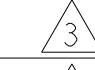
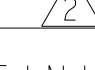


LOC	DIST	REVISIONS			
GP	00	REV	DATE	DWN	APVD
		C	REV. PER ECO-08-009962	26MAR2008	WVS GRD

- MATERIAL: COPPER ALLOY
- 
 SILVER PLATE .000200 MIN THK.
 OVER NICKEL PLATE .000050 MIN THK.
 TARNISH RESISTANT COATING OVER ALL
- 
 GOLD PLATE .000030 MIN THK. OVER
 NICKEL PLATE .000050 MINIMUM THK.
- PART NUMBER CHANGES AND OR DESIGN CHANGES AFFECTING ITEM INTERCHANGEABILITY REQUIRE TYCO ELECTRONICS APPROVAL AND AUTHORIZATION BY REVISION TO THIS DRAWING.



	1766283-2
	1766283-1
FINISH	PART NO

<small>THIS DRAWING IS UNPUBLISHED. RELEASED FOR PUBLICATION BY TYCO ELECTRONICS CORPORATION. ALL RIGHTS RESERVED. THIS IS SUBJECT TO CHANGE WITHOUT NOTICE AND WITHOUT OBLIGATION. SHOULD BE CONTACTED FOR THE LATEST REVISION.</small>		DWN: 26MAR2008 CHK: 26MAR2008 APVD: 26MAR2008	Tyco Electronics Harrisburg, PA 17105-3608
DIMENSIONS: INCHES	TOLERANCES UNLESS OTHERWISE SPECIFIED: 9 PLC ±. 1 PLC ±.01 2 PLC ±.01 3 PLC ±.003 4 PLC ±. ANGLES ±°	NAME: CONTACT, PIN, .250 DIA, M5 X .08 INT. THD. TAPPED DRAWER, DOMINO PRODUCT SPEC: APPLICATION SPEC: WEIGHT: CUSTOMER DRAWING	SIZE: A1100779 CAGE CODE: C=1766283 SCALE: 4:1 SHEET: 1 OF 1 REV: C