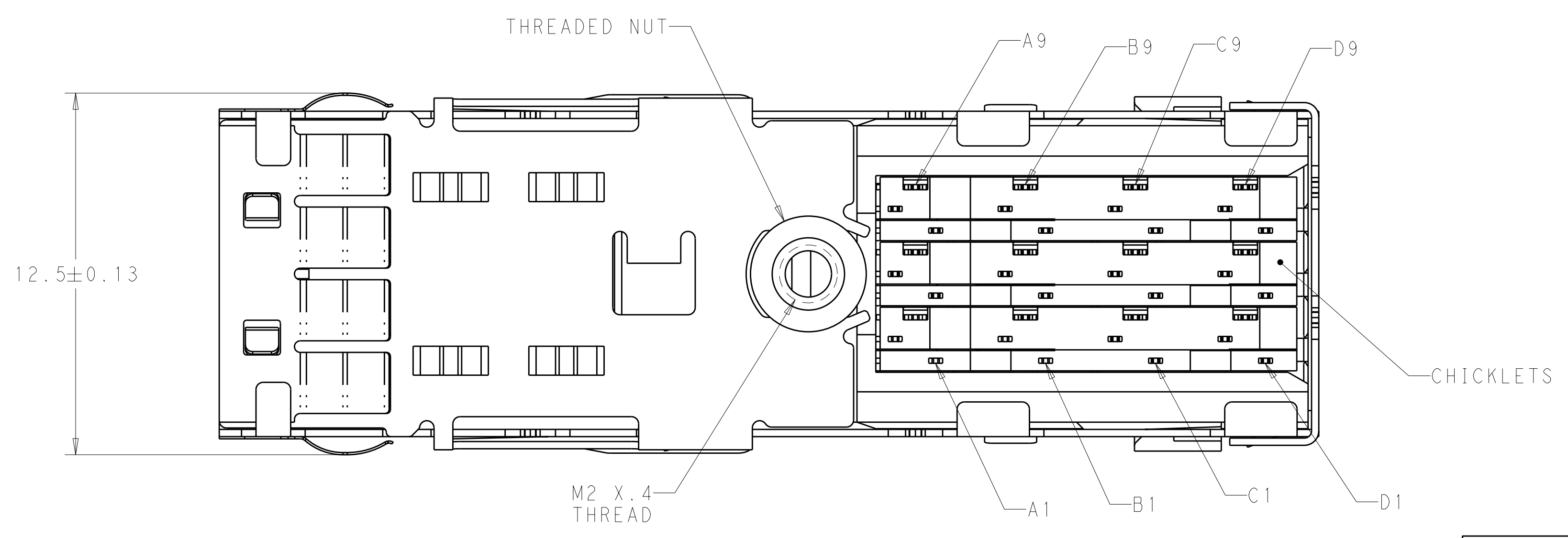
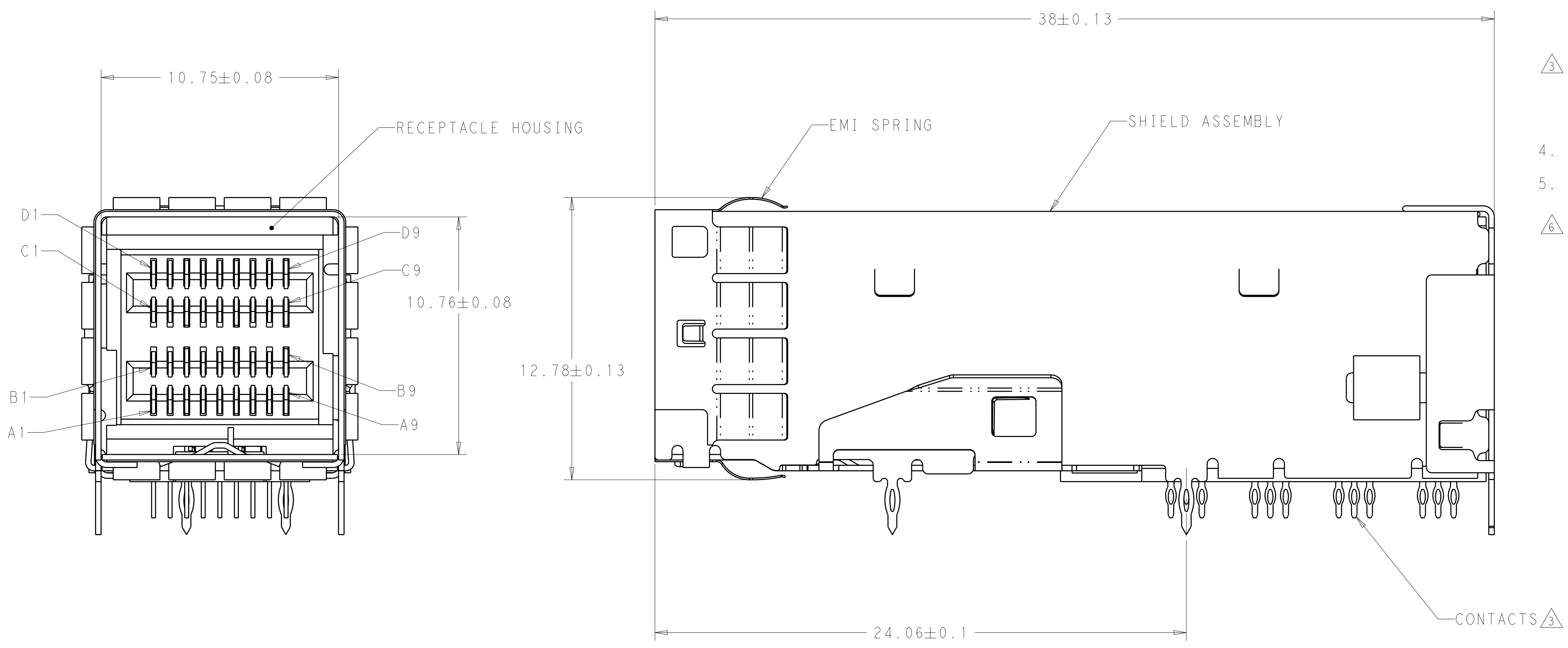


LOC		DIST		REVISIONS			
AG	00	REV	DATE	DESCRIPTION	DATE	DWN	APVD
		8		REMOVED PRELIMINARY NOTE	05JAN2012	PK	JS
				ADDED NOTE 5			
		9		PCI APPLICATION DIMENSION ADDED	09JAN2012	JS	JS
		10		PCB KEEPOUT UPDATE	13MAR2012	JS	JS

1. MATERIALS
 RECEPTACLE HOUSING, LCP, BLACK, UL94V-O RATED
 SHIELD ASSEMBLY: NICKEL SILVER COPPER ALLOY
 CONTACTS: COPPER ALLOY
 EMI SPRING: COPPER ALLOY
 THREADED NUT: BRASS
 CHICKLETS: LCP, BLACK, UL 94V-O RATED
2. FINISH
 EMI SPRING: TIN PLATE OVER NICKEL PLATE
 NON-PLATED EDGES PERMISSABLE
 THREADED NUT: NICKEL PLATE
3. CONTACT FINISH: CONFORMS TO THE REQUIREMENTS OF TE PRODUCT SPECIFICATION, 108-2399. BASED ON EIA/ECA-364-1000.01A. (CONTROLLED ENVIRONMENT APPLICATIONS) ON MATING END. TIN PLATED ON PCB TAIL
4. THREAD LENGTH OF FASTENER = PCB THICKNESS + 1.45 MAX
5. THIS PRODUCT HAS NOT COMPLETED VALIDATION/QUALIFICATION TESTING
6. RECOMMENDED TRACE KEEP OUT ZONE

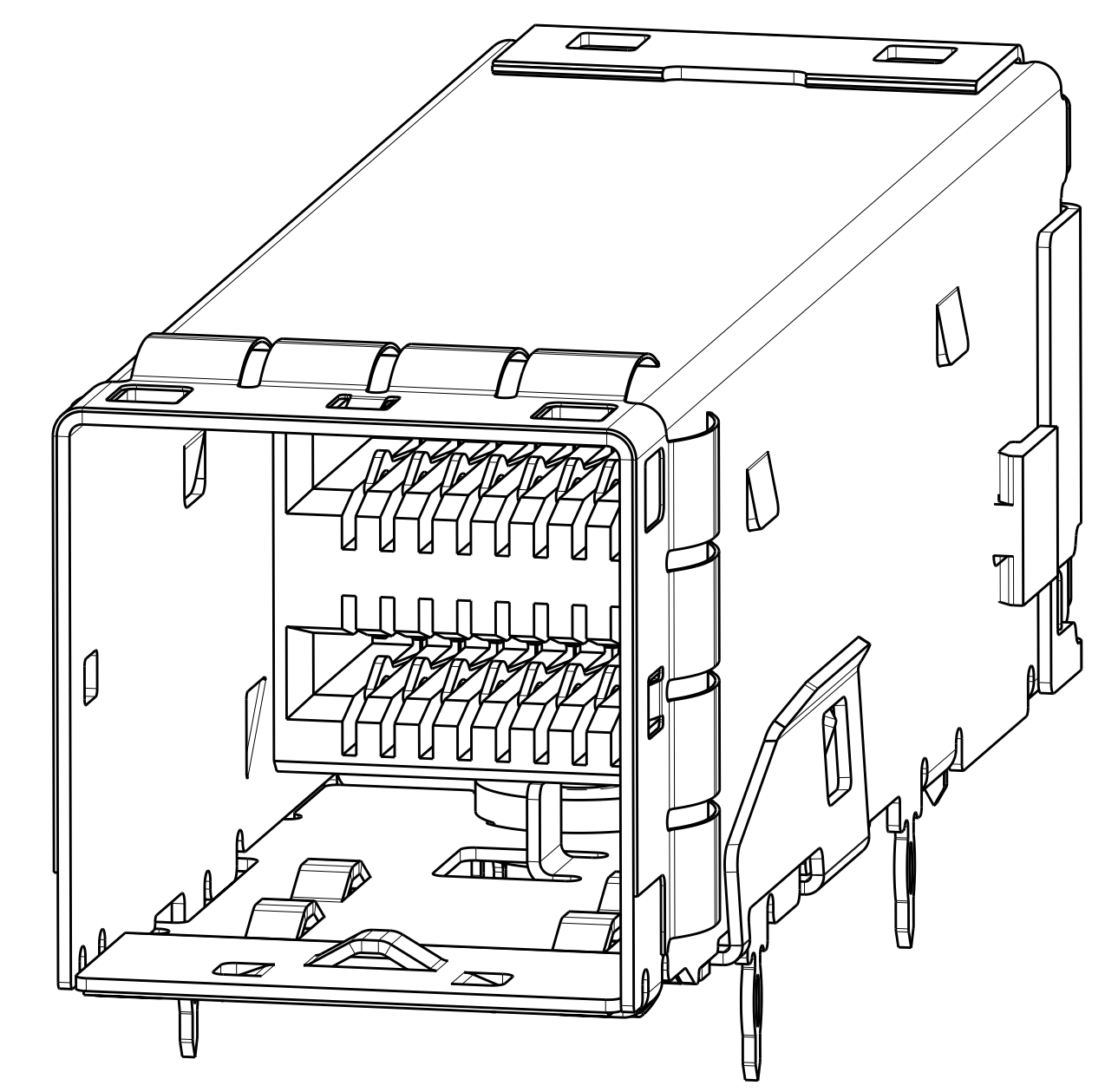
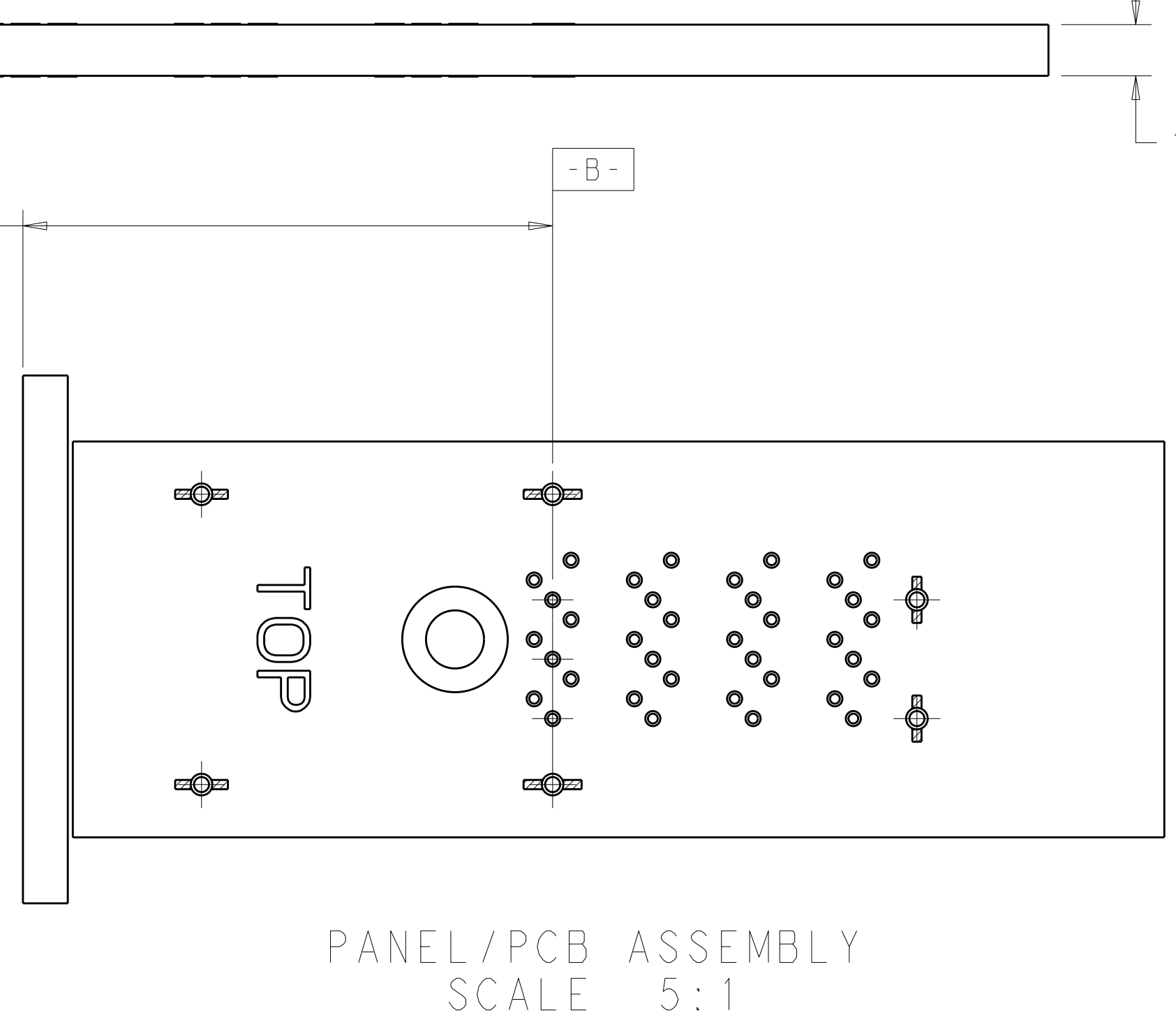
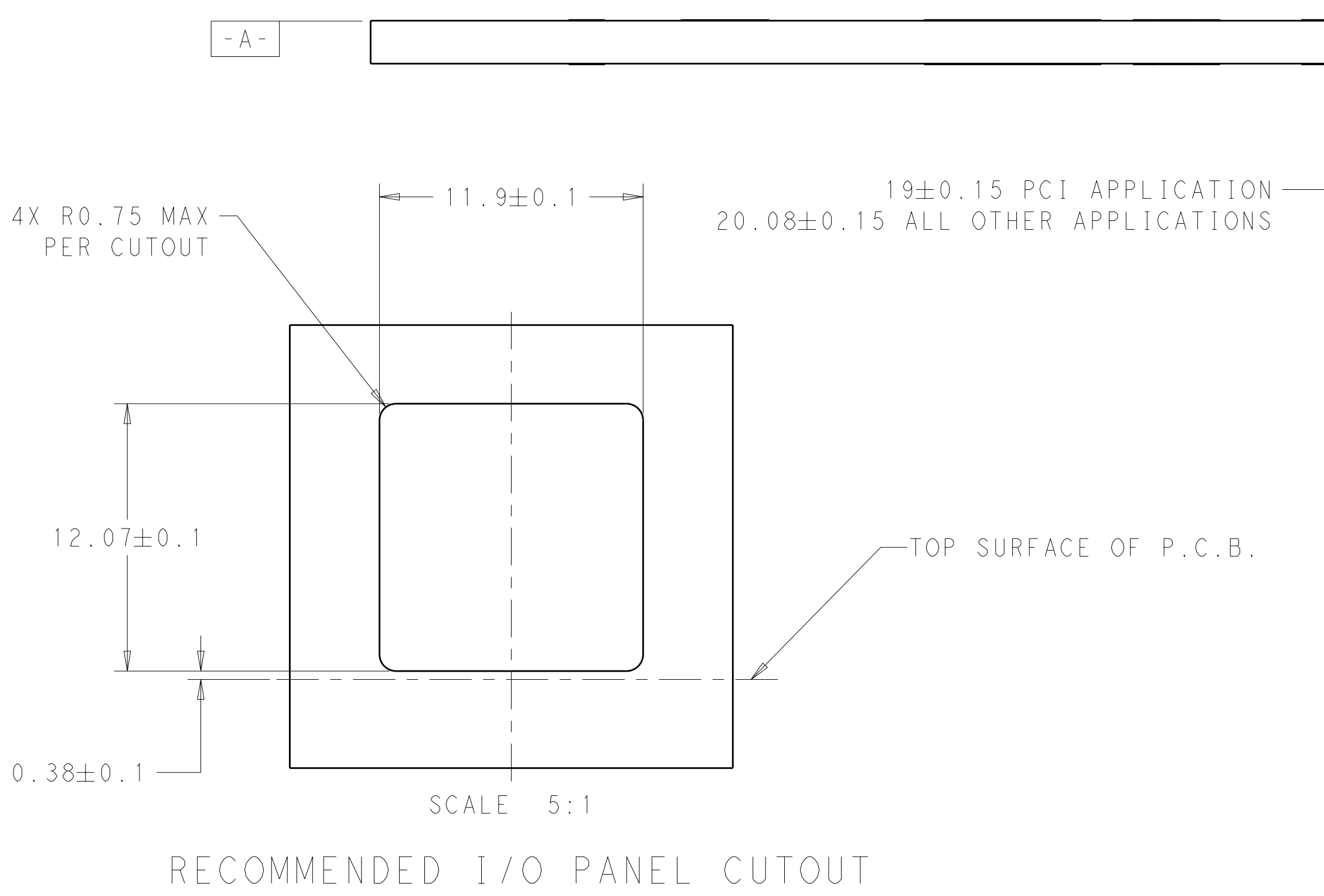
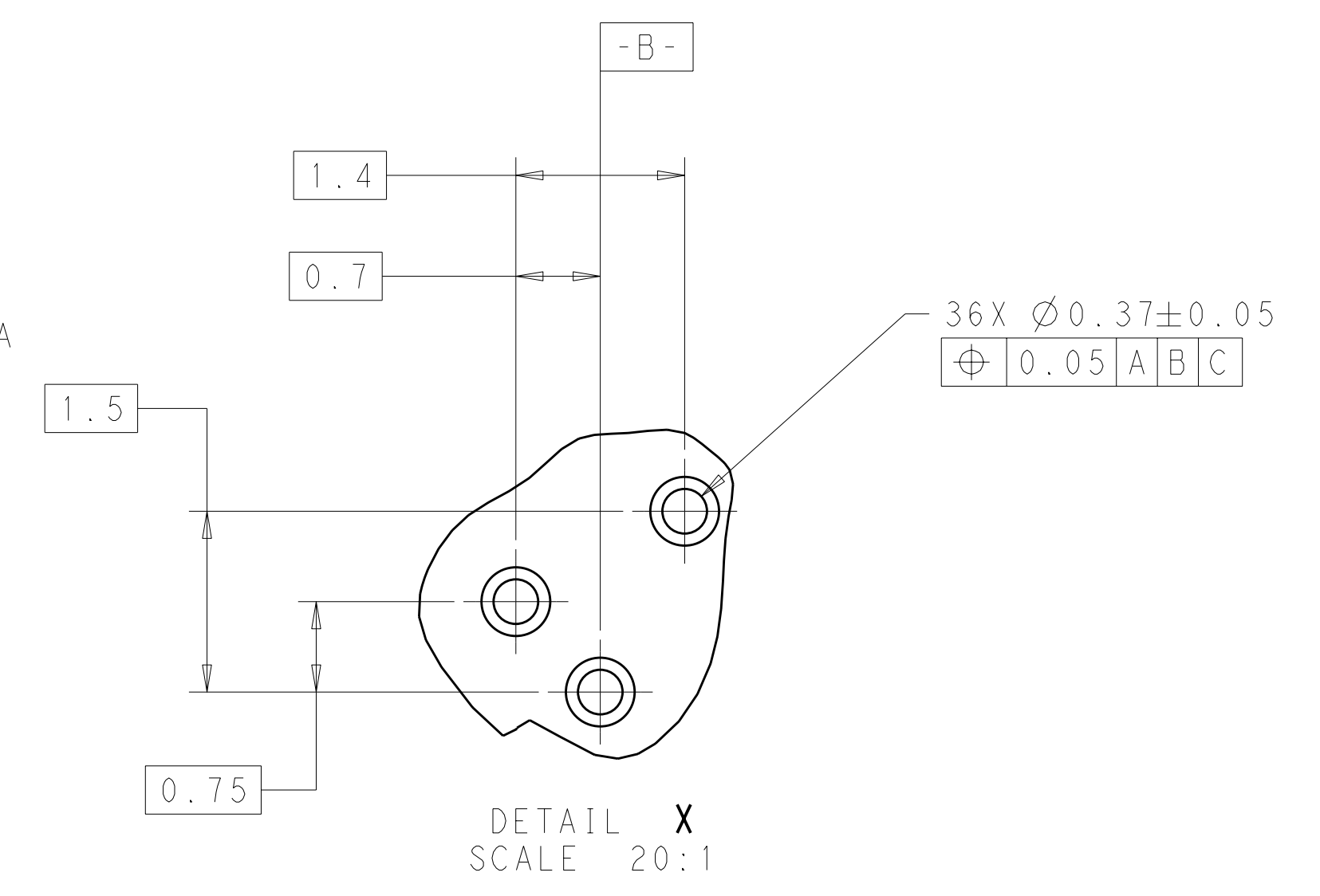
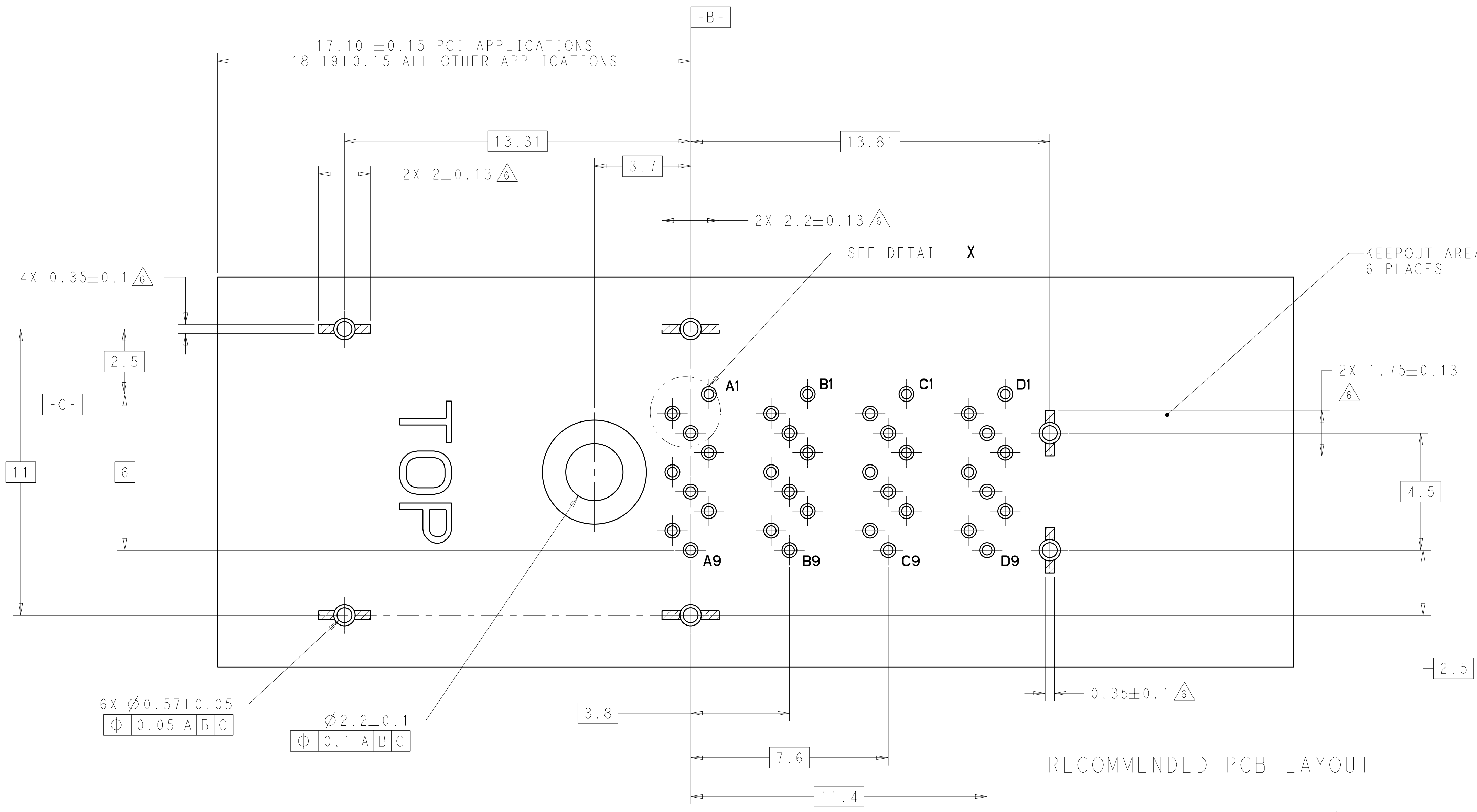


2149027-1
 PART NUMBER

THIS DRAWING IS A CONTROLLED DOCUMENT.		DWN P. WERLIN 27JUL2010	TE Connectivity	
DIMENSIONS:		CHK J. SECHRIST 27JUL2010	RECEPTACLE ASSEMBLY, MINI SASS, HD	
mm	TOLERANCES UNLESS OTHERWISE SPECIFIED:	APVD -	PRODUCT SPEC	RESTRICTED TO
	9 PLC ± 0.13		108-2462	
	3 PLC \pm		APPLICATION SPEC	
	5 PLC \pm		114-13316	
	4 PLC \pm		WEIGHT	
	ANGLES \pm		A100779C=2149027	
MATERIAL	FINISH		CUSTOMER DRAWING	SCALE 8:1 SHEET 1 OF 2 REV 10

LOC	DIST	REV	DATE	BY	APPD
AG	00				

REVISIONS			
NO.	DESCRIPTION	DATE	BY
1	SEE SHEET 1		



THIS DRAWING IS A CONTROLLED DOCUMENT.		OWN: P. KERLIN 27JUL2010	TE Connectivity	
DIMENSIONS: mm		CHK: J. SECHRIST 27JUL2010	NAME: RECEPTACLE ASSEMBLY, MINI-SASS HD	
TOLERANCES UNLESS OTHERWISE SPECIFIED:		APVD: -	PRODUCT SPEC: 108-2462	
Ø ±0.13		APPLICATION SPEC: 114-13316		RESTRICTED TO: -
PLC ±0.13		SIZE: CAGE CODE: DRAWING NO: A100779C=2149027		SCALE: 8:1 SHEET 2 OF 2 REV 10
PLC ±0.13		WEIGHT: -		CUSTOMER DRAWING
PLC ±0.13		FINISH: -		
ANGLES ±0.13				