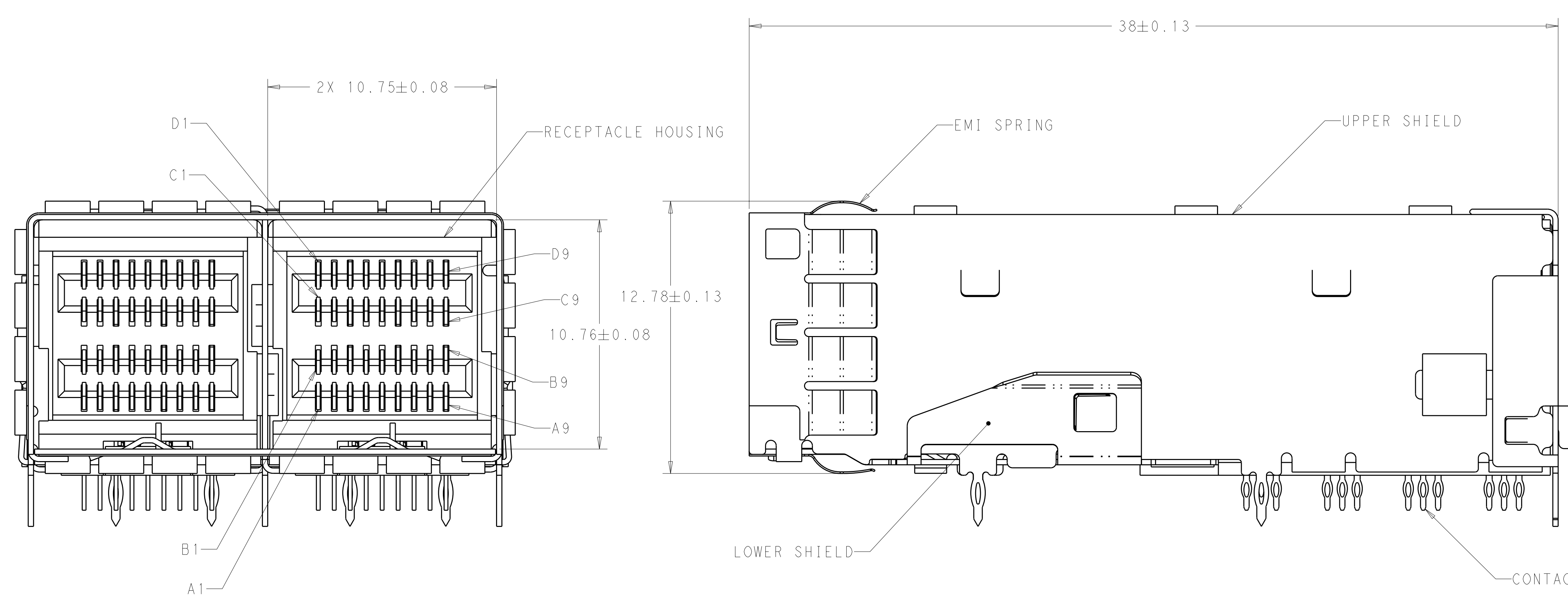
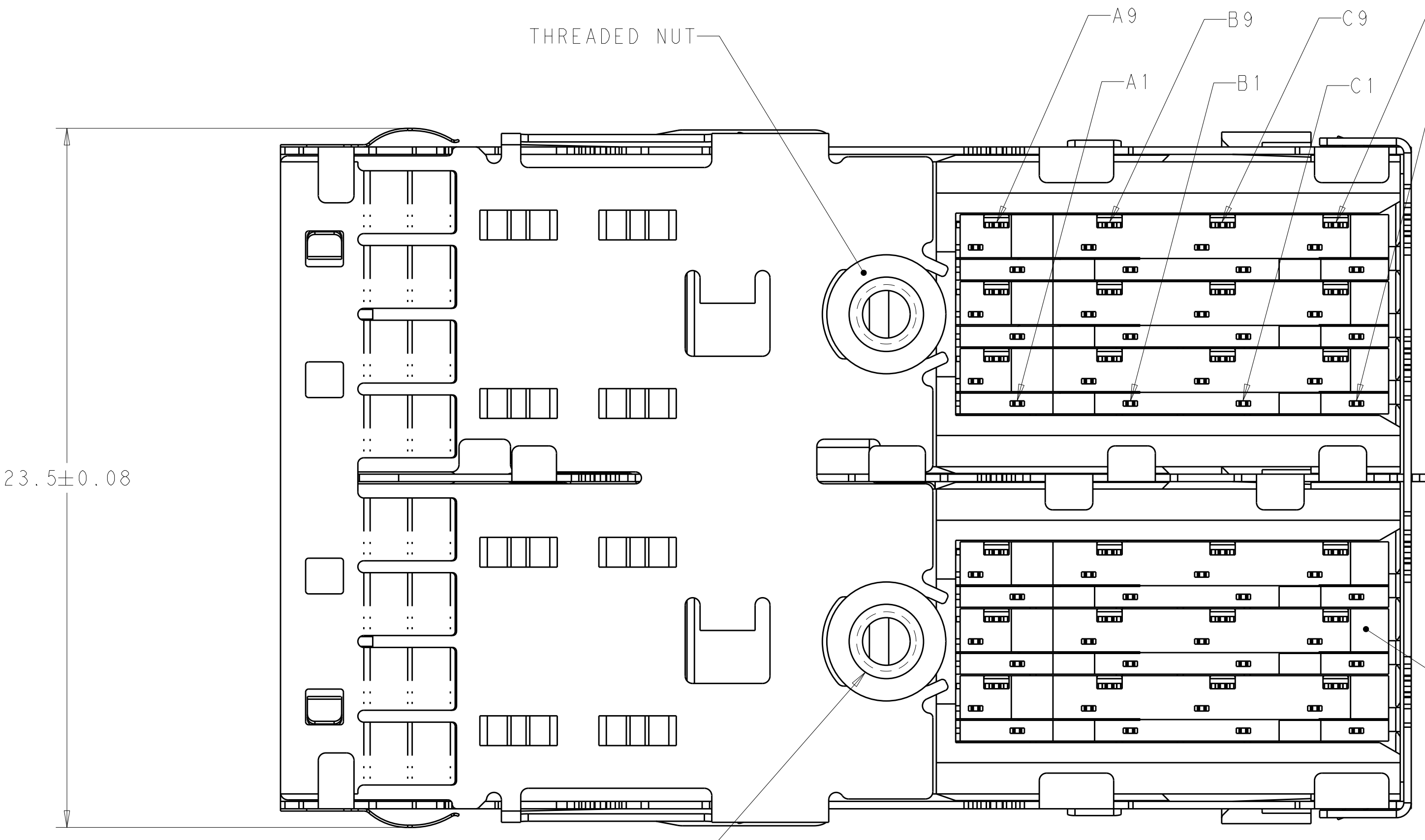


LOC	DIST	REVISIONS			
AG	00	REV	DATE	DWN	APVD
		7	05JAN2012	PK	JS
		8	09JAN2012	JS	JS
		9	13MAR2012	JS	JS



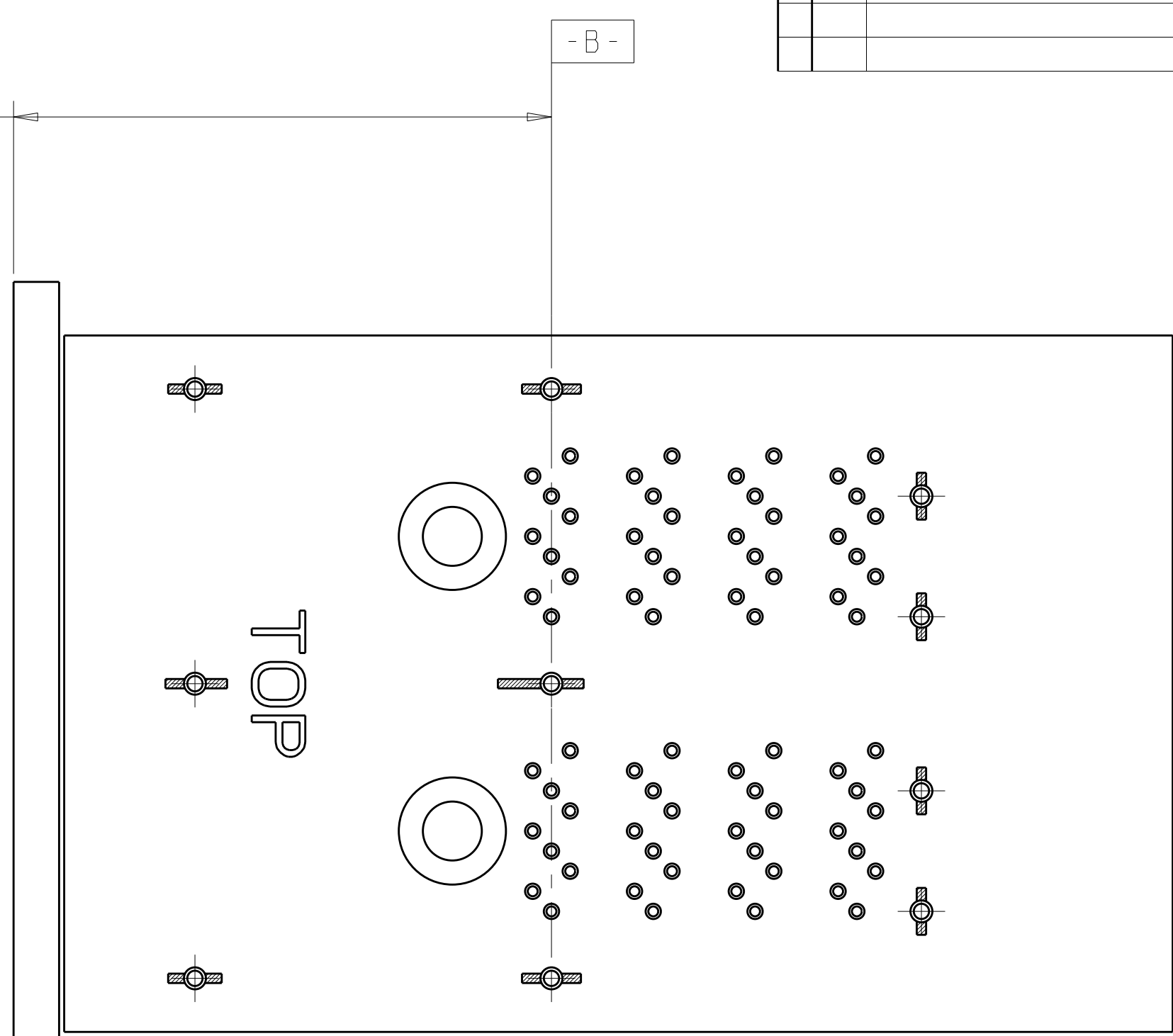
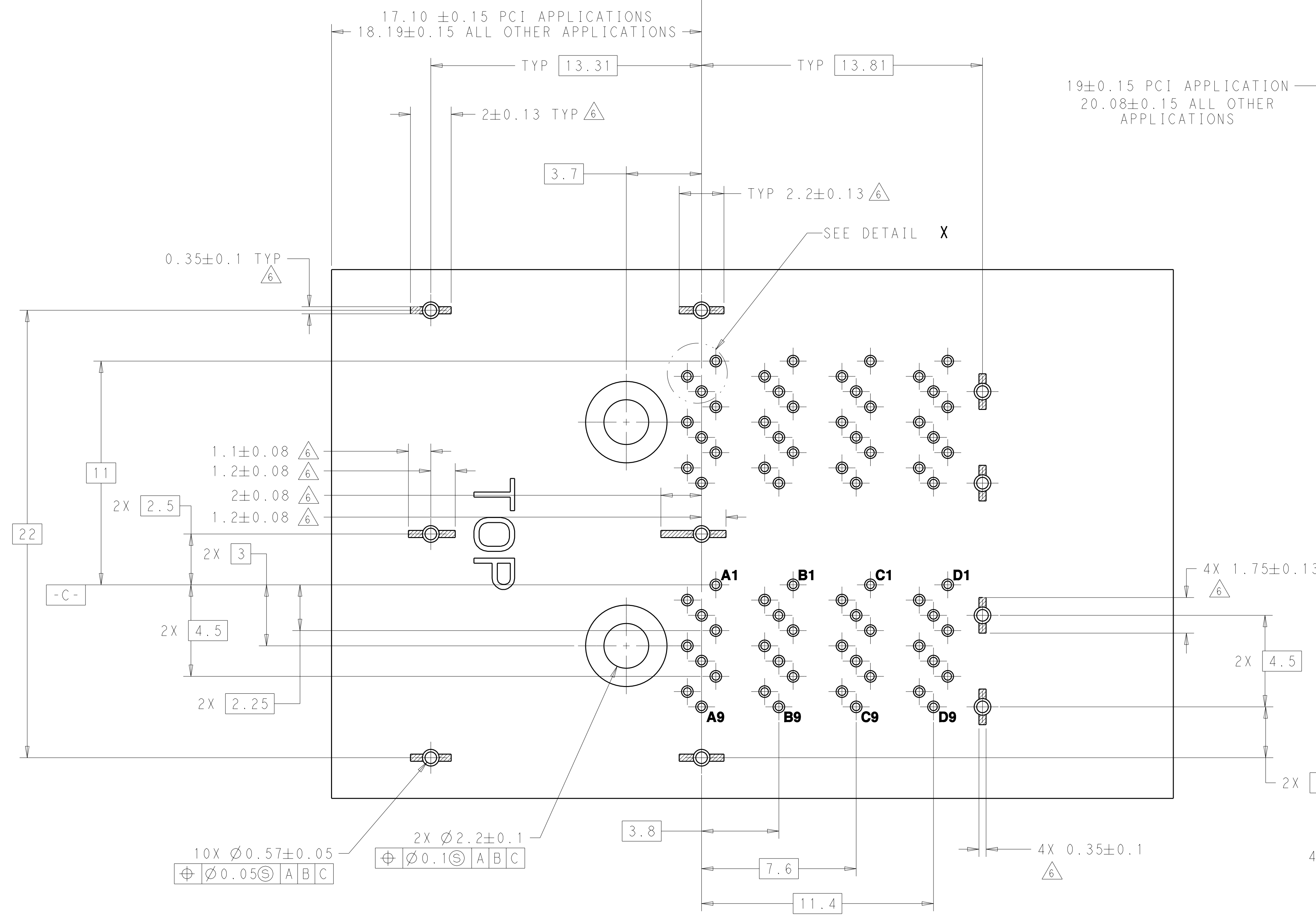
1. MATERIALS
 RECEPTACLE HOUSING, LCP, BLACK, UL94V-0 RATED
 SHIELD ASSY: NICKEL SILVER COPPER ALLOY
 CONTACTS: COPPER ALLOY
 EMI SPRING: COPPER ALLOY
 THREADED NUT: BRASS
 CHICKLETS: LCP, BLACK, UL 94V-0 RATED
 2. FINISH
 EMI SPRING: TIN PLATE OVER NICKEL PLATE
 NON-PLATED EDGES PERMISSIBLE
 THREADED NUT: NICKEL PLATE
 3. CONTACT FINISH: CONFORMS TO THE REQUIREMENTS OF TE PRODUCT SPECIFICATION, 108-2399. BASED ON EIA/ECA-364-1000.01A. (CONTROLLED ENVIRONMENT APPLICATIONS) ON MATING END. TIN PLATED ON PCB TAIL
 4. THREAD LENGTH OF FASTENER = PCB THICKNESS + 1.45 MAX
 5. THIS PRODUCT HAS NOT COMPLETED VALIDATION/QUALIFICATION TESTING
- RECOMMENDED TRACE KEEP OUT ZONE



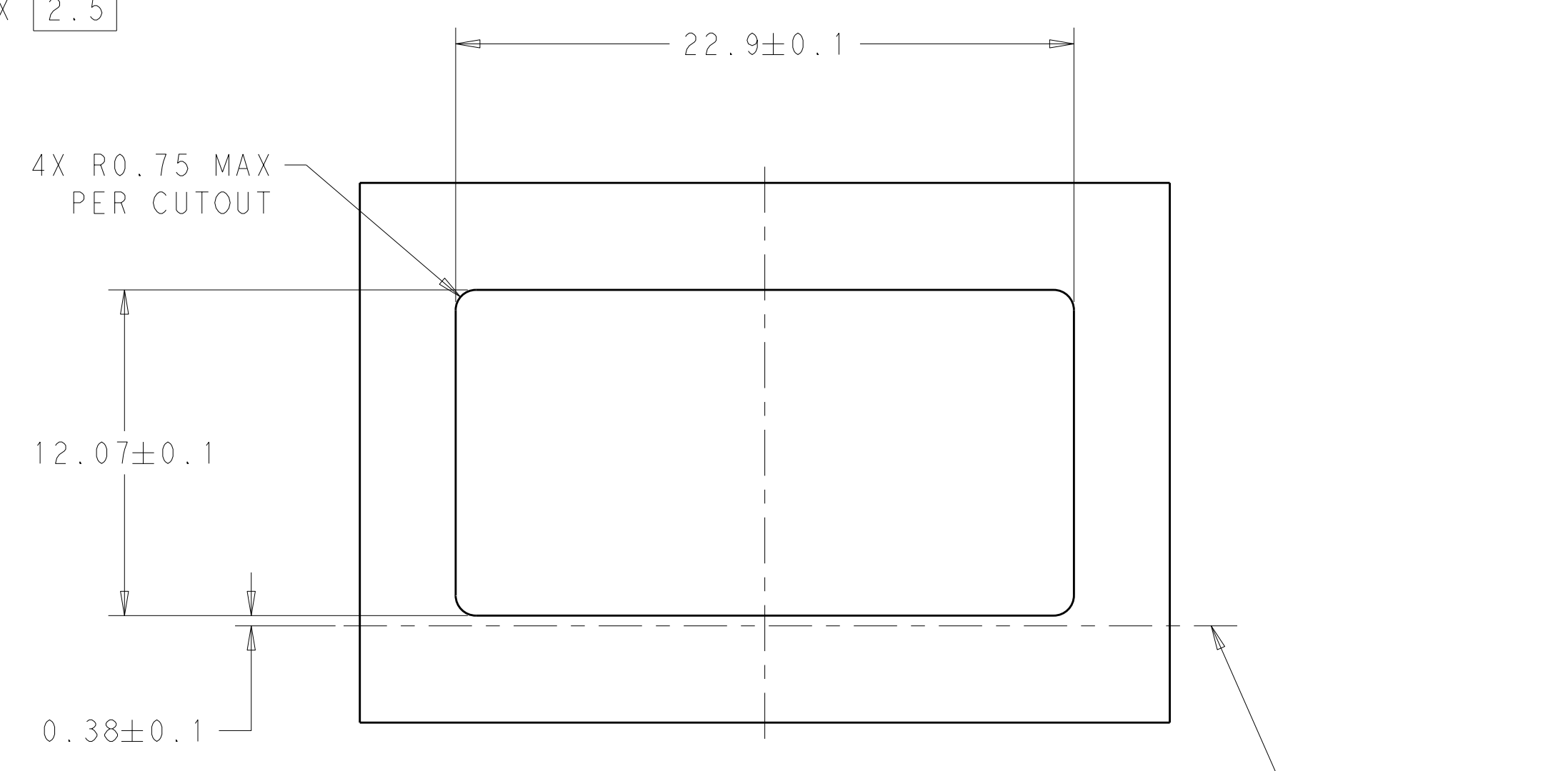
2149966-1
 PART NUMBER

THIS DRAWING IS A CONTROLLED DOCUMENT.		DWN P. KERLIN	ZOSEP2010	TE Connectivity RECEPTACLE ASSEMBLY, MINI-SAS HD, 2X
DIMENSIONS: mm		CHK J. SECHRIST	ZOSEP2010	
TOLERANCES UNLESS OTHERWISE SPECIFIED:		APVD	NAME	RESTRICTED TO
9 PLC ±		PRODUCT SPEC		
1 PLC ±		108-2462		
5 PLC ±		APPLICATION SPEC		
4 PLC ±		114-13316		
ANGLES ±		WEIGHT		
FINISH		CUSTOMER DRAWING		
MATERIAL		SCALE 8:1		SHEET 1 OF 2
		REV 9		

LOC		DIST		REVISIONS			
AG	00	P	LTH	DESCRIPTION	DATE	DWN	APVD
				SEE SHEET 1			

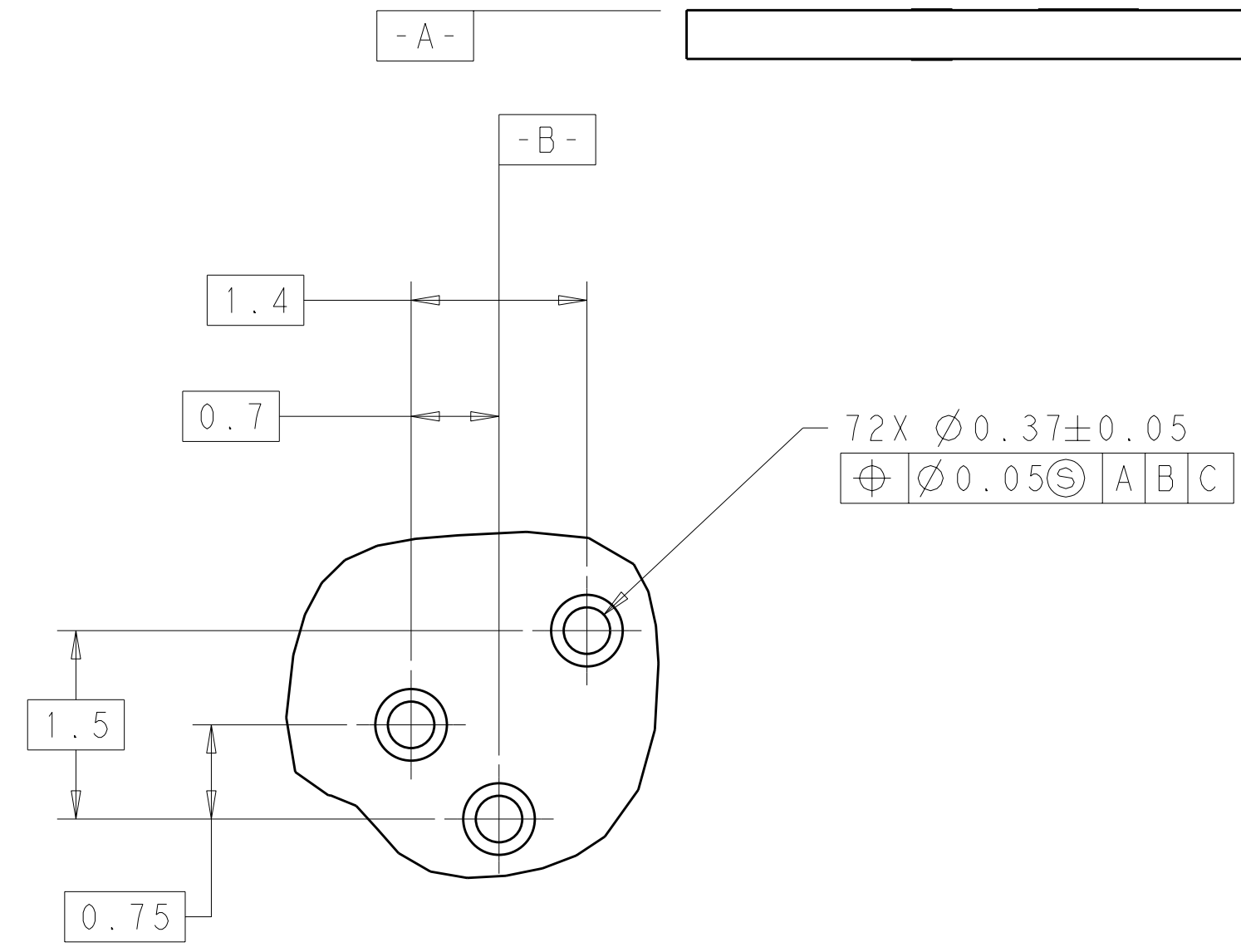


PANEL/PCB ASSEMBLY
SCALE=5:1

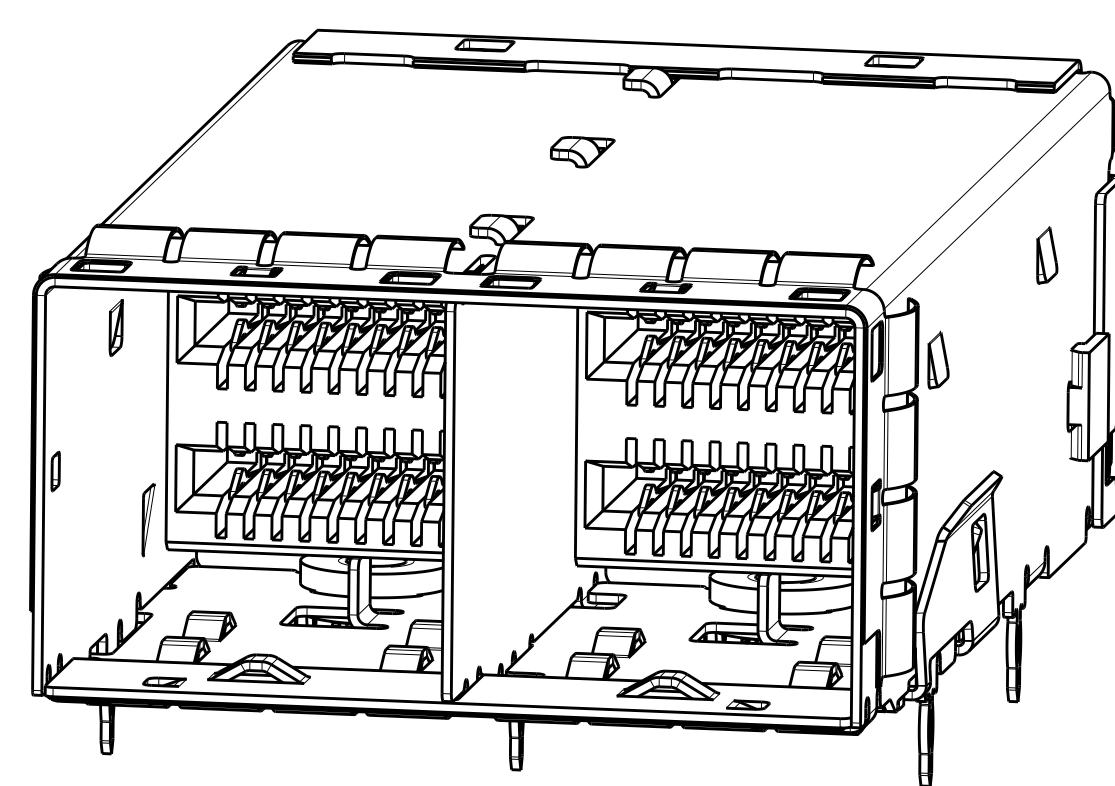


RECOMMENDED I/O PANEL CUTOUT
SCALE=5:1

RECOMMENDED PCB LAYOUT



DETAIL X
SCALE 20:1



THIS DRAWING IS A CONTROLLED DOCUMENT.		DWN P. KERLIN 20SEP2010	TE Connectivity
DIMENSIONS: mm		CHK J. SECHRIST 20SEP2010	
TOLERANCES UNLESS OTHERWISE SPECIFIED:		APVD -	NAME
0 PLC	±	PRODUCT SPEC	RECEPTACLE ASSEMBLY, MINI-SAS HD, 2X
1 PLC	±	108-2462	
2 PLC	±	APPLICATION SPEC	
3 PLC	±	114-13316	SIZE CAGE CODE DRAWING NO
4 PLC	±	WEIGHT	A100779C-2149966
ANGLES	±	CUSTOMER DRAWING	RESTRICTED TO
MATERIAL		SCALE 8:1	SHEET 2 OF 2
FINISH		REV 8	